



823 SERIES

Face Frame SYNCHRONIZED Slide with Soft-Close



Features & Benefits

Material thickness:

3/4" (19mm)

Synchronized

All drawer members interact fluidly and seamlessly

Soft-Close

Drawers close smoothly even when forced shut

Full extension

Drawers come completely out of the cabinet giving full access

Front locking device options

4 or 6-way, tool free, adjustments

Load rating

100 lb (45 kg)



Description

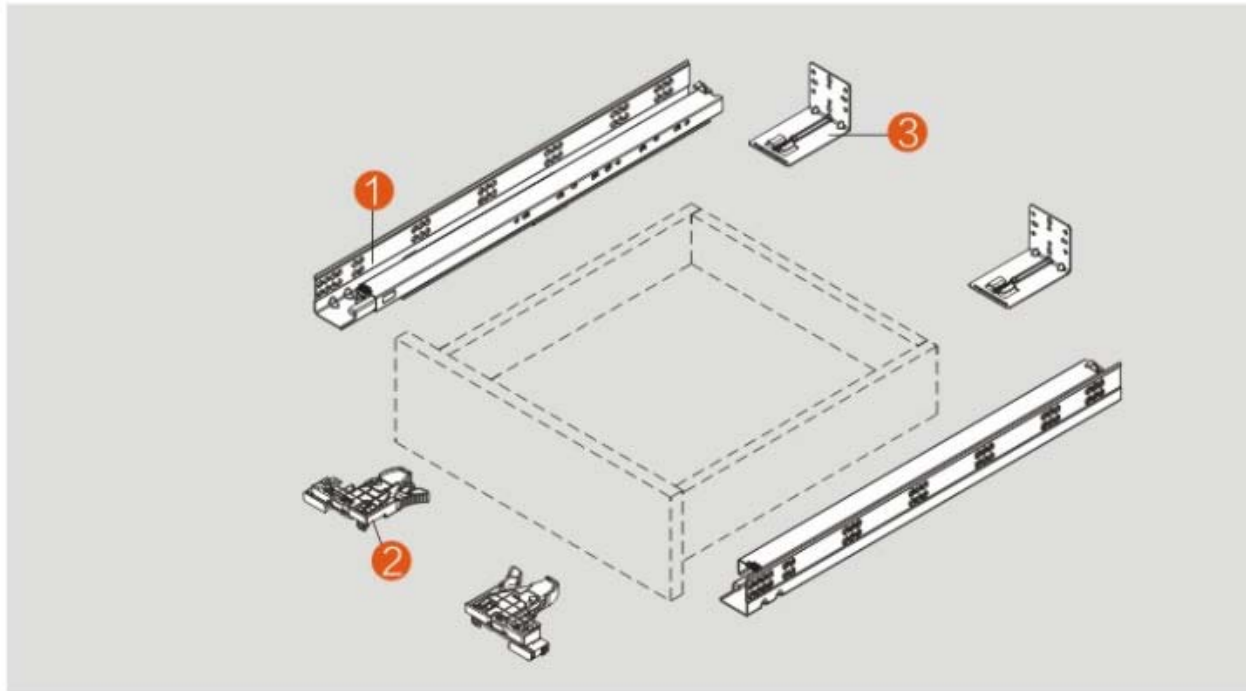
Full extension, concealed, undermount slide featuring a continuous synchronized movement. Design for 3/4" (19mm) material.


No.	Description
823305	305 mm (12")
823381	381 mm (12")
823457	457 mm (15")
823533	533 mm (21")
8284103	Front locking device 4-way, left
8284102	Front locking device 4-way, right
8286103	Front locking device 6-way, left
8286102	Front locking device 6-way, right


(Canada) 1 800 361-6000


(US) 1 800 619-5446

www.richelieu.com

Components


	Slides left/right (for a maximum of 16 mm drawer thickness)
Item No.	Nominal Length
823305	12" (305 mm)
823381	15" (381 mm)
823457	18" (457 mm)
823533	21" (533 mm)

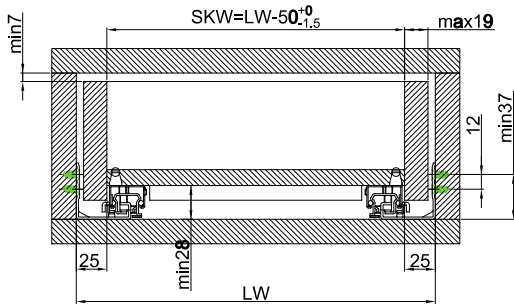
	Front Locking Devices
Item No.	Description
8284103 (left)	4-way, Lateral and vertical adjustments
8284102 (right)	
8286103 (left)	6-way, Lateral, vertical and depth adjustments
8286102 (right)	

	Metal Rear Bracket
Item No.	Description
8082G	For face-frame application

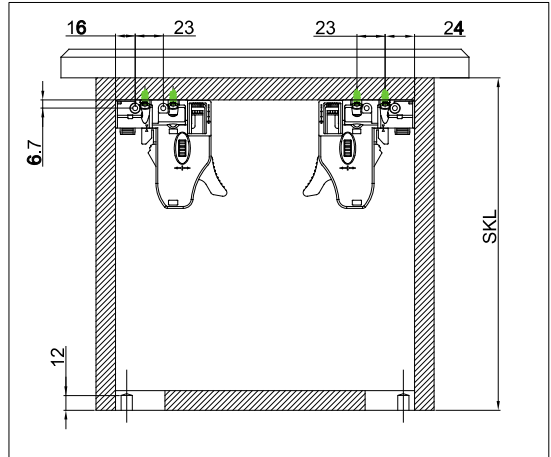
#823xxx Slides

Drawer Dimensions (mm)

Drawer materia: 19mm max.
 LW = Internal Cabinet Width
 SKW = Internal Drawer Width

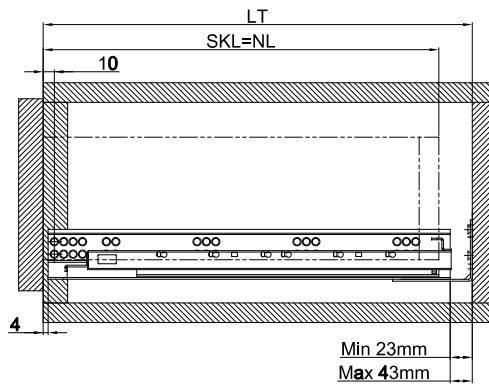


Locking Device Mounting



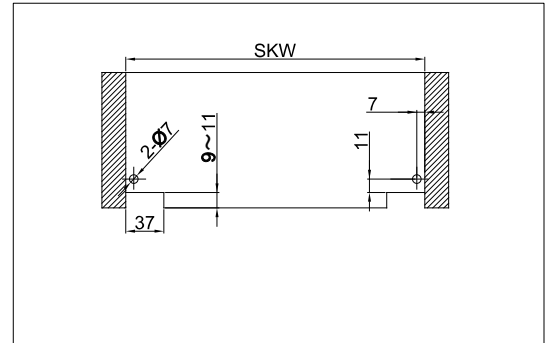
Cabinet Depth

SKL = Drawer length
 LT = Inside cabinet length
 NL = Nominal Length



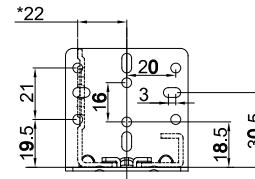
NL	Item #	LTmin	LTmax
12"	823305	340	360
15"	823381	416	436
18"	823457	494	514
21"	823533	568	588

Drawer Back Drilling & Notching

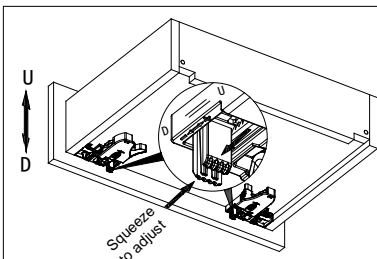


Rear Bracket Mounting

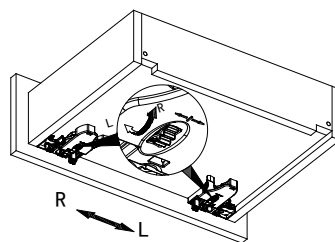
#8082G for 19mm max.



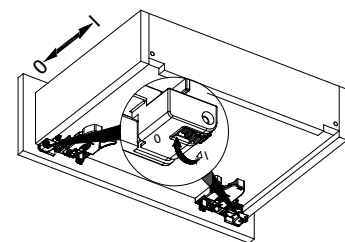
Drawer Adjustments



Height adjustment 0~+3mm.



Side adjustment ±1.5mm.



Depth adjustment 0~+3mm.

* Side adjustment ±1.5mm, provided that the drawer size is within tolerance.

823xxx Slides Installation Dimensions (mm)

