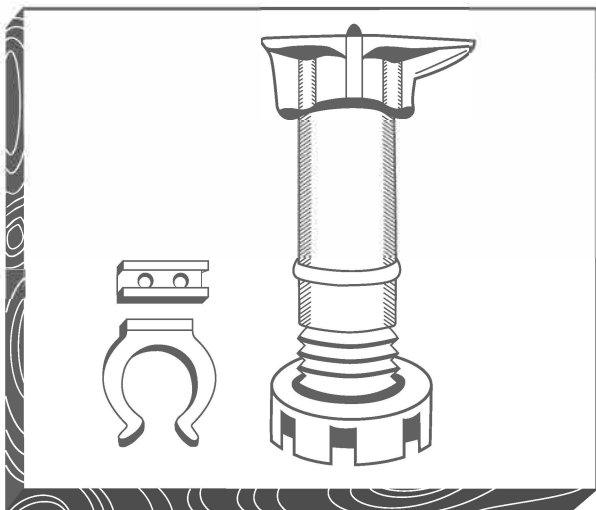


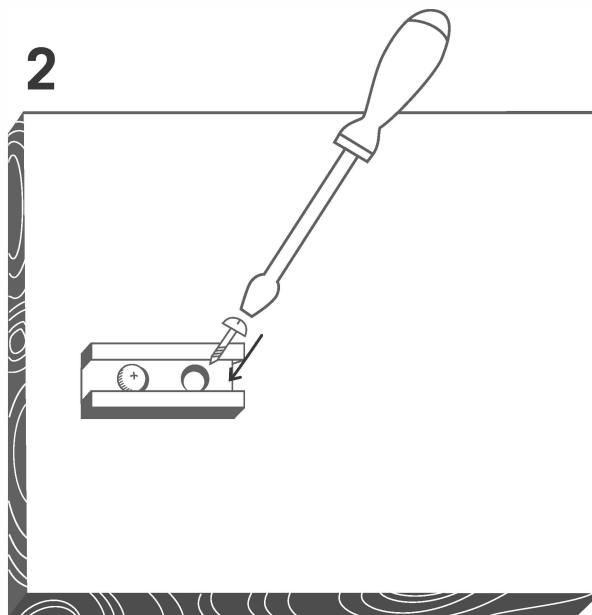
# PLINTH MOUNTING / MONTAGE DE LA PLINTHE

---

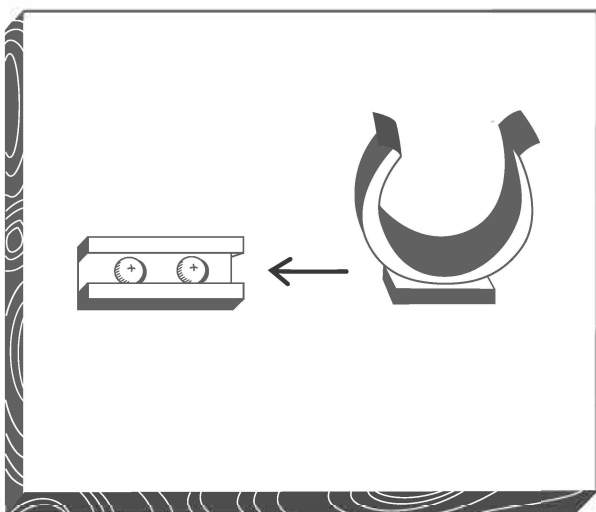
1



2



3



4

