



Topper HD

Sit/Stand Desktop Workstation

500S2SHD90

The Topper HD Desktop Sit-Stand Workstation, quickly and economically converts an existing desk to a smooth and effortless sit-stand workstation. With a NEW 42" wide primary work surface and a robust 45 lbs. load capacity, the Topper HD can easily accommodate 2 x 27" monitors and still have extra space for other work tools.

Features

- Large useable primary work surface

- Single paddle height adjustment control

- Gas assisted height adjustment

- Primary work surface can be extended 20" above the desk

- Three primary work surface grommet holes

- 20° of keyboard surface tilt

- Clip-on mouse fence and cable manager

- Compact footprint

Benefits

The primary work surface is 42" wide to accommodate 2 x 27" monitors,

Simplified single paddle allows for added control when raising and lowering the workstation

Provides smooth, quiet and infinite height adjustment through a 13.8" range allowing users to easily set the workstation to their ideal ergonomic position

A large height adjustment range accommodates a greater variety of users

Allows for cable management and attachment of a Richelieu monitor arm to improve ergonomic functionality and to clear the secondary work surface

Infinitely adjust the keyboard surface tilt from -10°/+10°

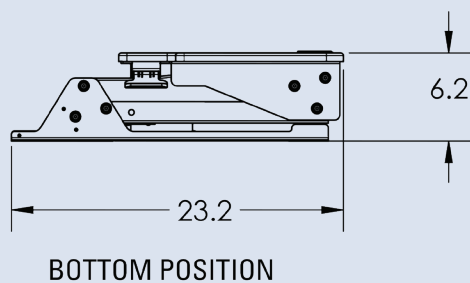
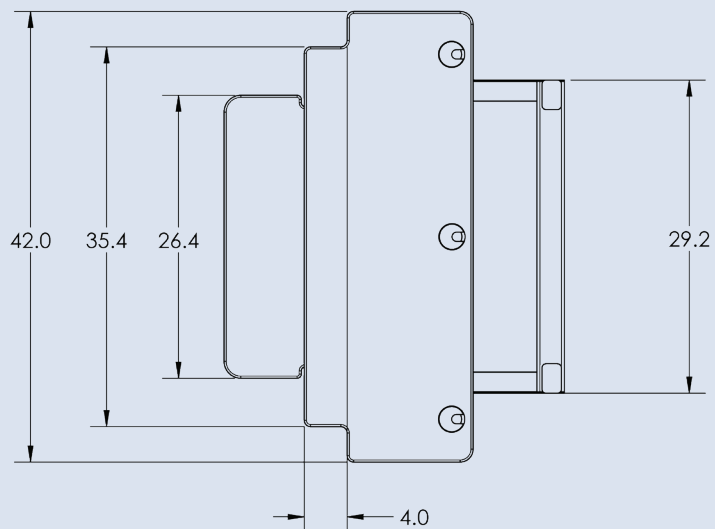
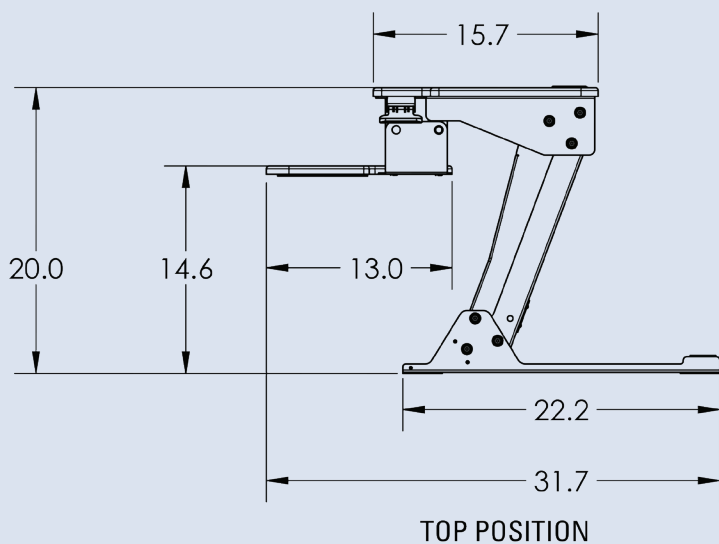
The moveable mouse fence has integrated cable slots to neatly control mouse cords

Fits easily onto a 24" deep desk

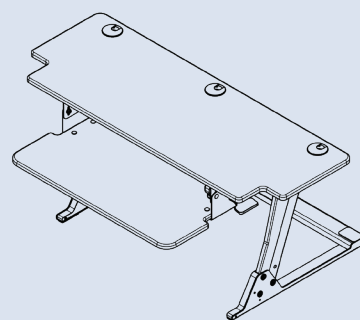


The Topper HD

Sit/Stand Desktop Workstation
500S2SHD90



SHIPS FULLY ASSEMBLED
WEIGHS 43 LBS.
SUPPORTS 45 LBS. OF TECHNOLOGY
TWO YEAR WARRANTY



☎ 1-866-440-0448

ergoinfo@richelieu.com

www.richelieuergo.com