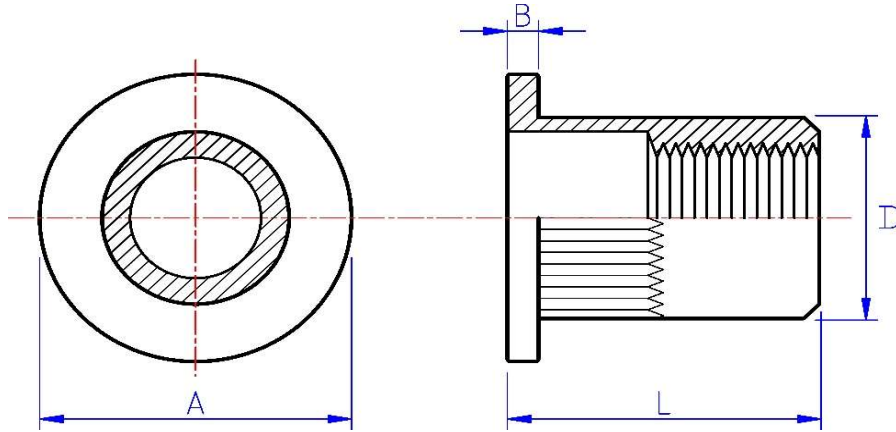




Brand	Root
	BRNZM...



unit: MM

SCREW SIZE		GRIP RANGE	A HEAD DIAM.	B FLANGE HEIGHT	D BARREL DIAM.	L OVERALL LENGTH	THREAD PITCH MM	DRILL HOLE SIZE
M3	Min	0.5	8.0	0.8	4.80	10.0	0.5	5.0
	Max	1.5			4.97			5.1
M4	Min	0.5	9.0	0.8	5.80	10.5	0.7	6.0
	Max	2.0			5.97			6.1
M5	Min	0.5	10.0	1.0	6.80	13.0	0.8	7.0
	Max	2.5			6.97			7.1
M6	Min	0.5	12.3	1.3	8.80	15.5	1	9.0
	Max	3.0			8.97			9.1

Flat Head Knurled Body Blind Rivet Nut, Zinc Plated

Root= Blind Rivet Nut Zinc Metric

Bulk Label Description:

English: BLIND RIVET NUT, ZINC PLATED

French: ÉCROU RIVET AVEUGLE, PLAQUÉ ZINC

Spanish:

Date: 10 septembre 2019

Done by: P.B.