



## THE PERFECT ECONOMIC UNDERMOUNT SLIDE!

No.	Description
718400	UNDERMOUNT 7/8 EXT S/C 400MM
718450	UNDERMOUNT 7/8 EXT S/C 450MM
718500	UNDERMOUNT 7/8 EXT S/C 500MM
718550	UNDERMOUNT 7/8 EXT S/C 550MM
718002	FRONT LOCKING DEVICE F/718 RIGHT
718003	FRONT LOCKING DEVICE F/718 LEFT



### Applications

- Frameless cabinet
- Wood drawer
- OPTIMIZ-R Metal drawer box



### What does it offer? (Features)

- Soft-closing motion
- 7/8 extension (Full Access)
- Compatible with Hettich and Blum drilling pattern
- KCMA tested
- 75 pounds capacity
- Richelieu's exclusivity



# FULL-ACCESS UNDERMOUNT SLIDES

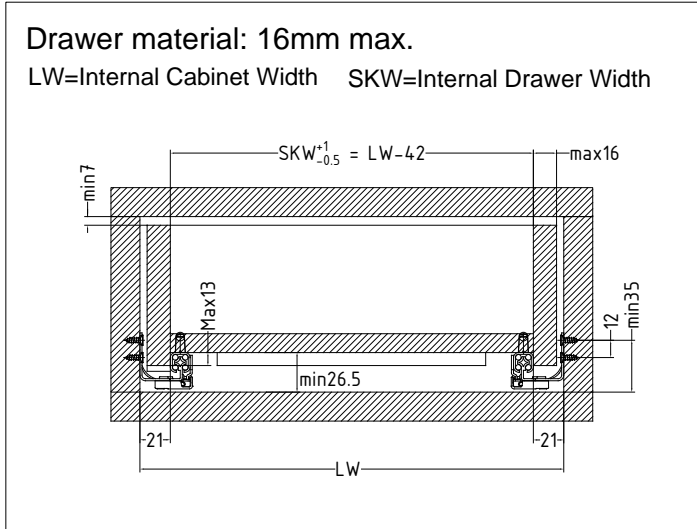


## Drawer Dimensions (mm)

### Drawer Width

Drawer material: 16mm max.

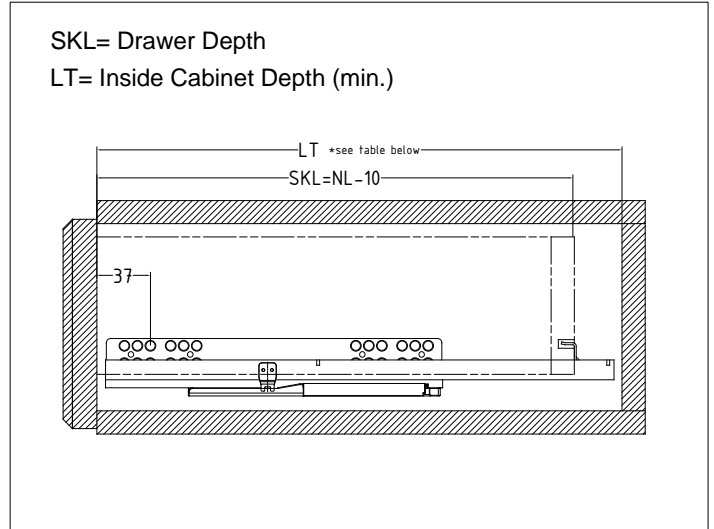
LW=Internal Cabinet Width SKW=Internal Drawer Width



### Cabinet Depth

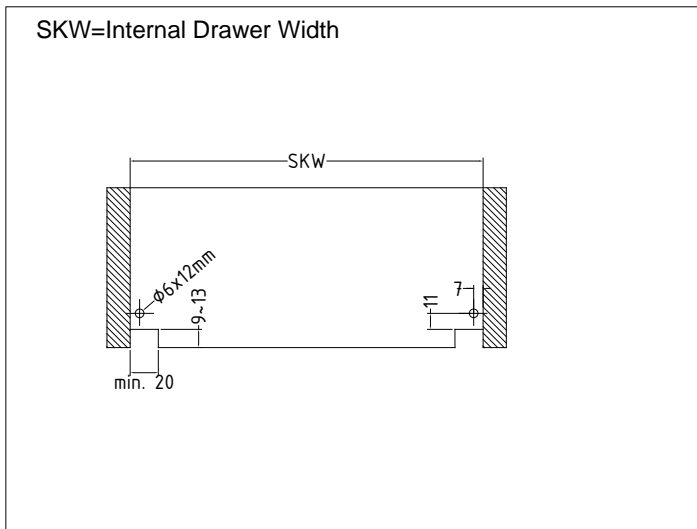
SKL= Drawer Depth

LT= Inside Cabinet Depth (min.)

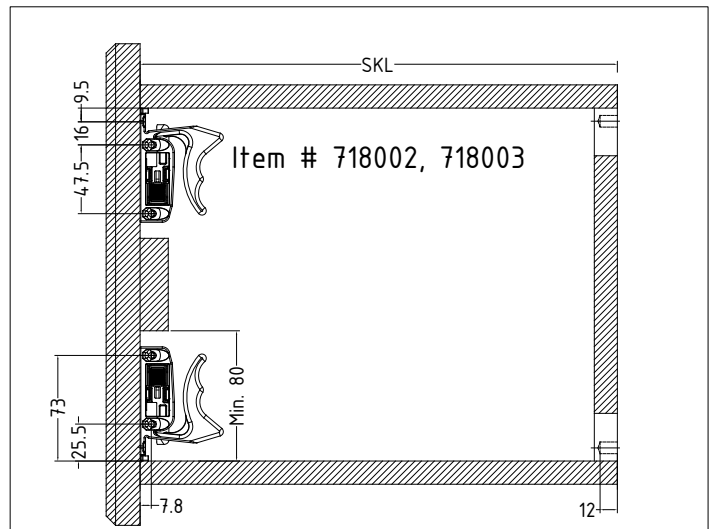


### Drawer back drilling & notching

SKW=Internal Drawer Width



### Locking Device mounting



Item #	718550	718500	718450	718400		
Slides Nominal Length (NL)	550	500	450	400		
Drawer Depth (SKL)	540	490	440	390		
Inside Cabinet Depth (min) (LT)	572	554	504	444		
Drawer Extension	440	422	384	336		

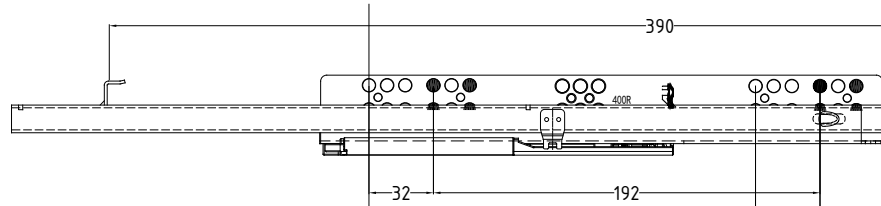


# FULL-ACCESS UNDERMOUNT SLIDES

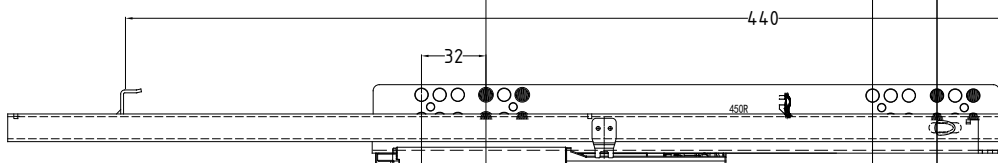
## Slides Mounting (mm)

Cabinet Front

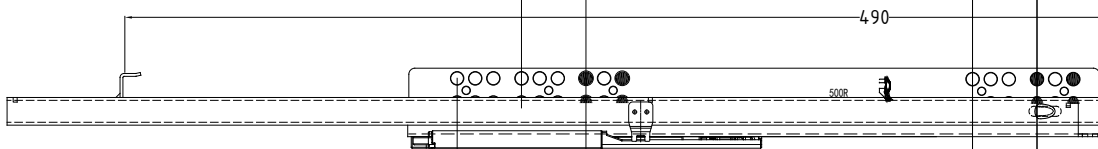
Item #



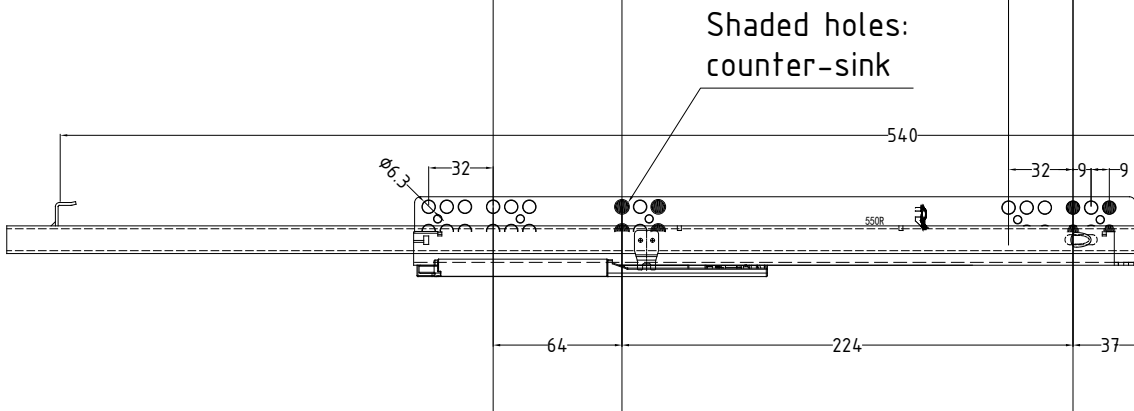
718400



718450



718500

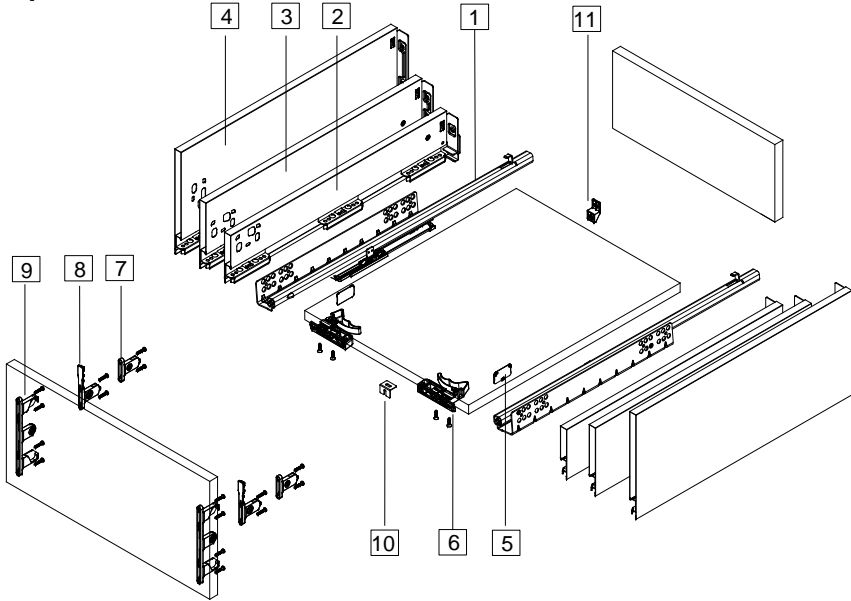


718550



# OPTIMIZ-R Drawer on 718 Undermount Slides

## Components



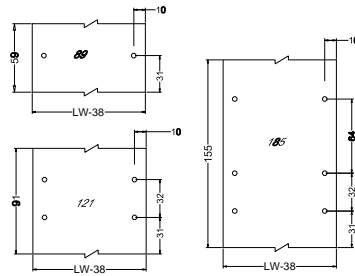
- |                            |                                       |
|----------------------------|---------------------------------------|
| 1. Series 718 slides       | 7. Front fixing brackets (89 height)  |
| 2. 89 height drawer sides  | 8. Front fixing brackets (121 height) |
| 3. 121 height drawer sides | 9. Front fixing brackets (185 height) |
| 4. 185 height drawer sides | 10. Bottom fixing - front *           |
| 5. Side cover cap          | 11. Bottom fixing - back *            |
| 6. Locking devices         | (* Optional for wide drawers)         |

Drawer Nominal Length (NL)	Internal Drawer Depth	Min. Internal Cabinet Depth (LT)
400mm	374mm	444mm
450mm	424mm	504mm
500mm	474mm	554mm
550mm	524mm	572mm

## Drawer Back & Drawer Bottom Dimensions - 16mm panel

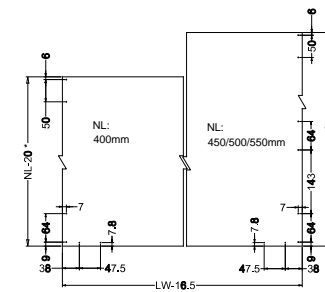
LW Internal cabinet width  
NL: Drawer Nominal Length

### Drawer Back



Drawer Model	89	121	185
Back Height (mm)	59	91	155

### Drawer Bottom



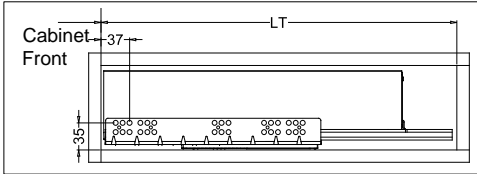
\* NL: Drawer Nominal Length

## Installation Dimensions (mm)

NL=Nominal length

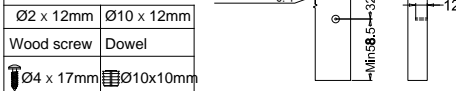
LT=Min. Internal cabinet depth

LW=Internal cabinet width

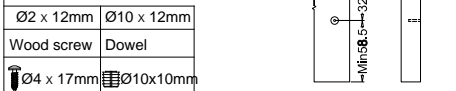


## Drawer Front Drilling (mm)

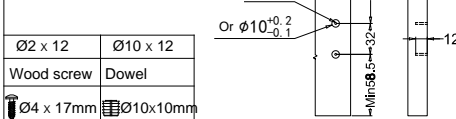
Height 89



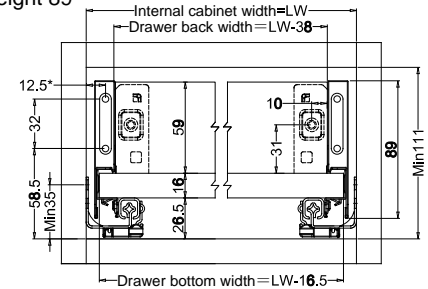
Height 121



Height 185

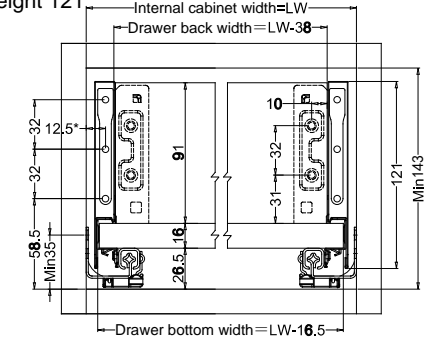


Height 89



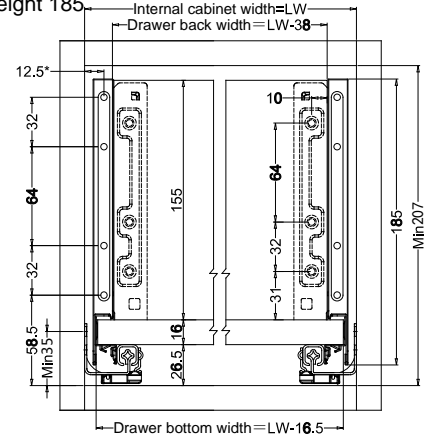
\* Drawer front drilling from edge: 12.5mm + Overlay

Height 121



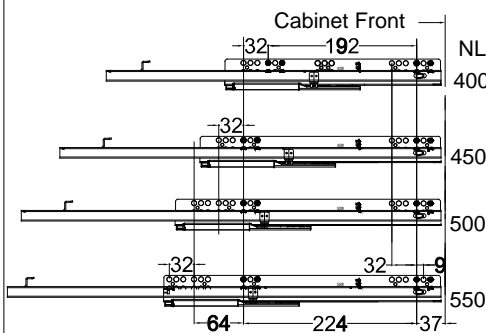
\* Drawer front drilling from edge: 12.5mm + Overlay

Height 185



\* Drawer front drilling from edge: 12.5mm + Overlay

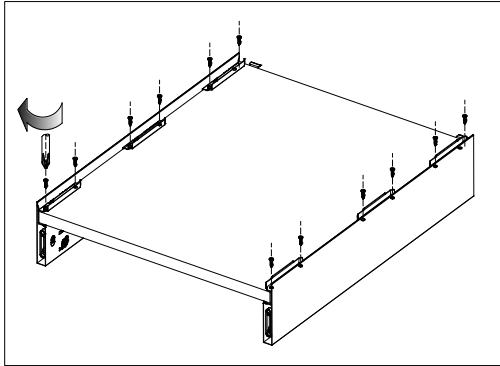
## Slides Hole Pattern



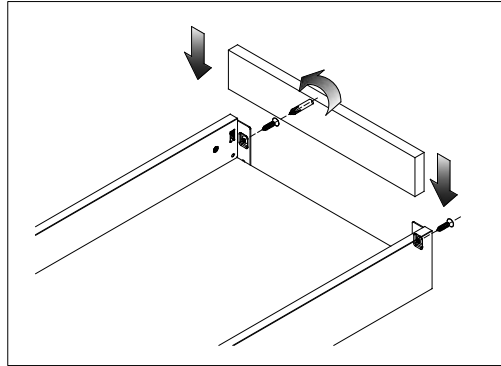


# OPTIMIZ-R Drawer Assembly & Disassembly

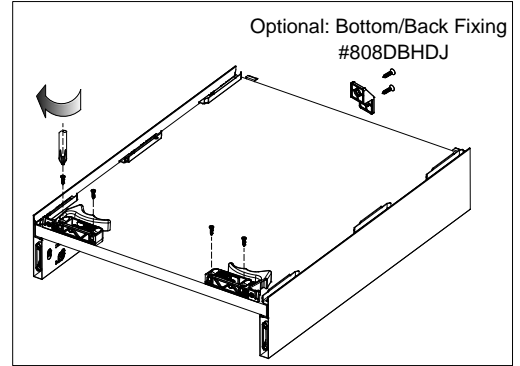
## Drawer Assembly



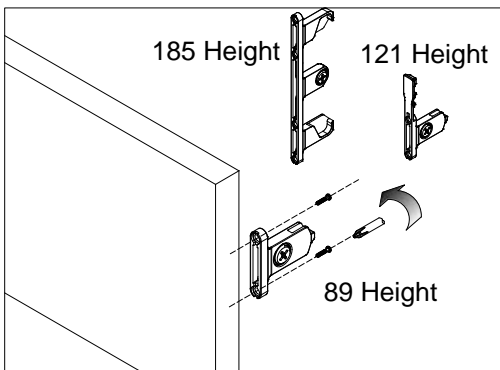
Bottom assembly



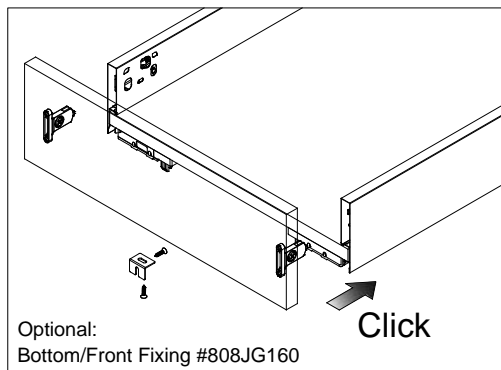
Back assembly



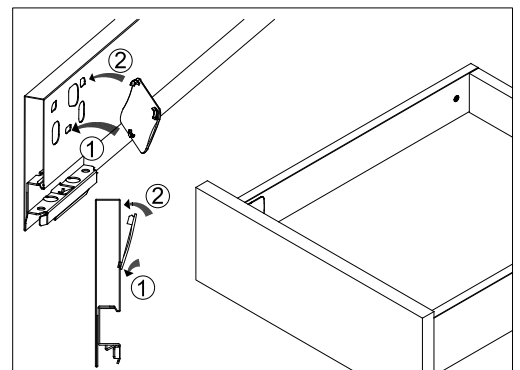
Locking Device assembly



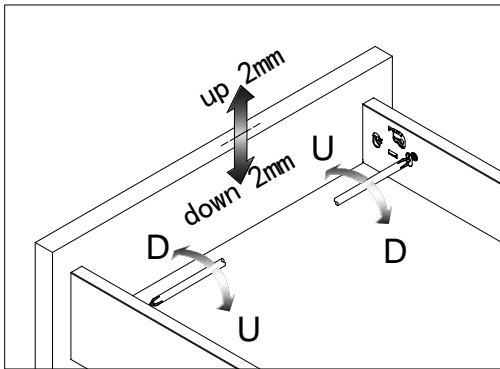
Drawer Front assembly



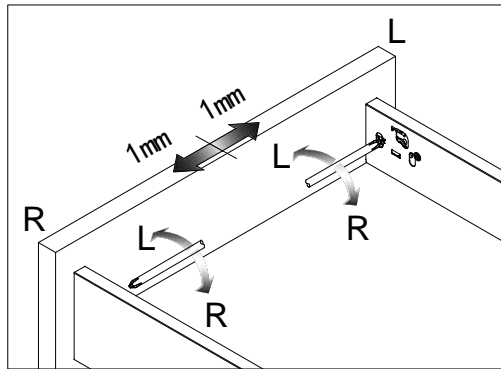
Optional:  
Bottom/Front Fixing #808JG160



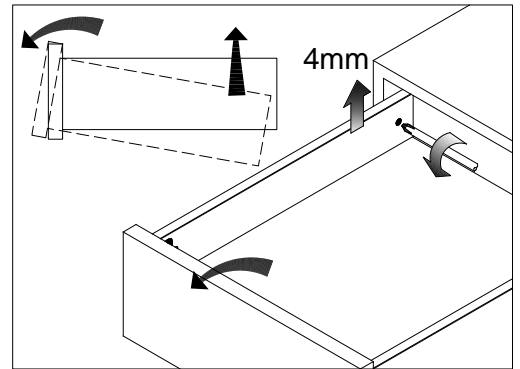
## Drawer Front Adjustments



Up / down adjustment

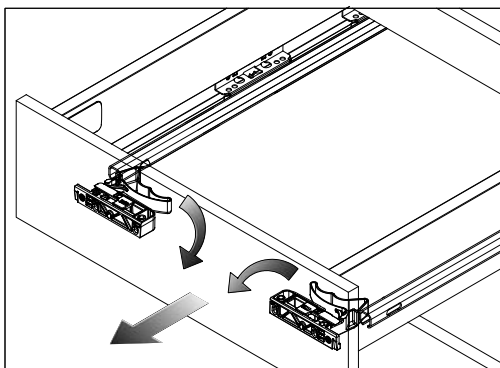


Left / right adjustment

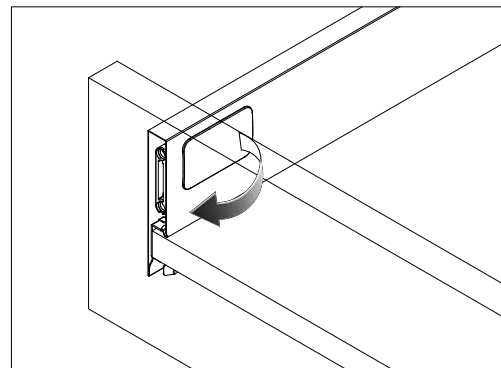


Tilting adjustment

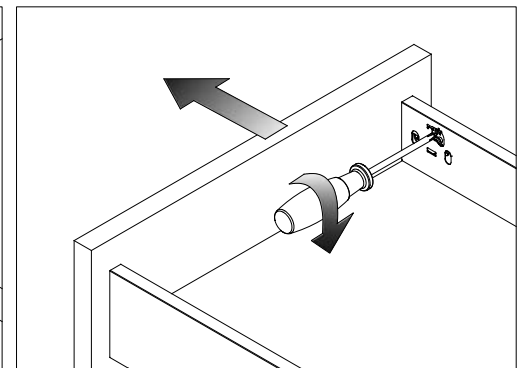
## Disassembly



Remove drawer



Tip up cover cap



Release drawer front