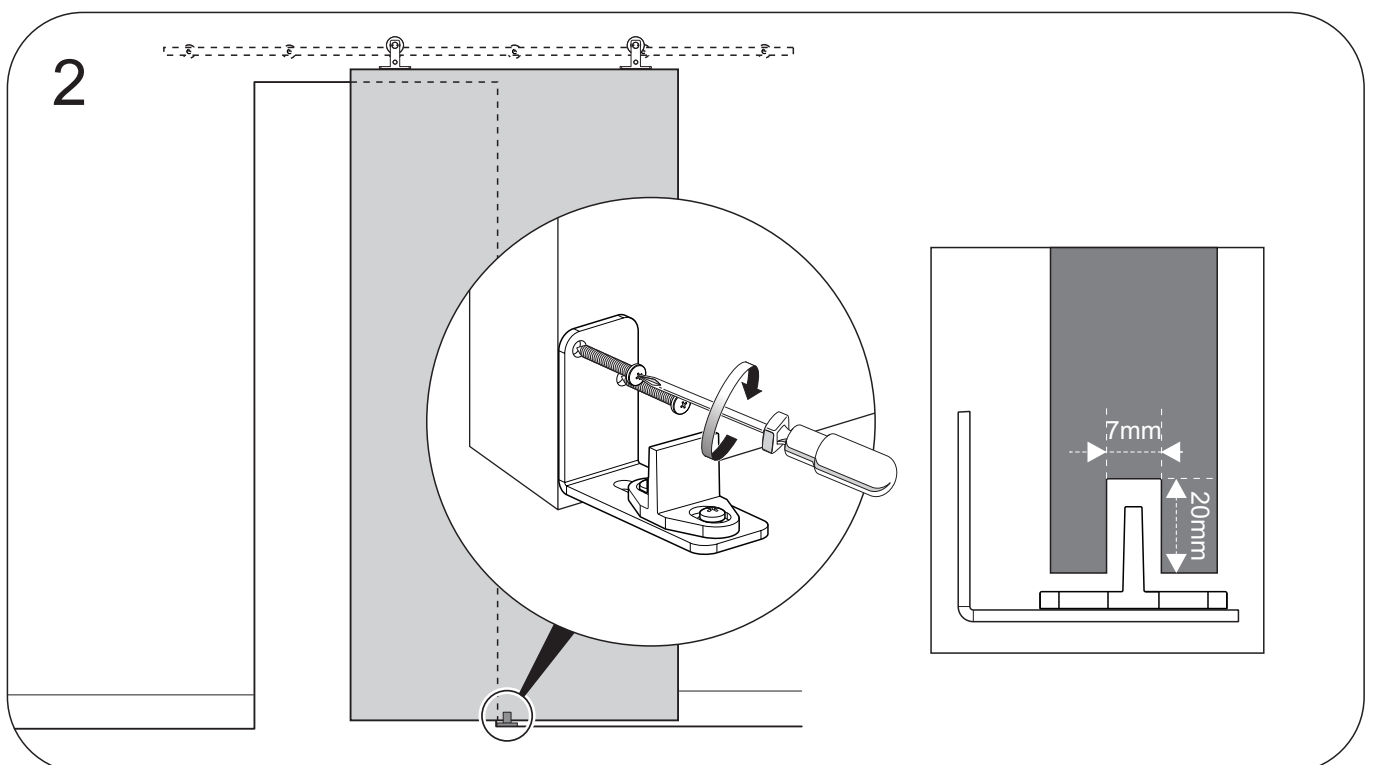
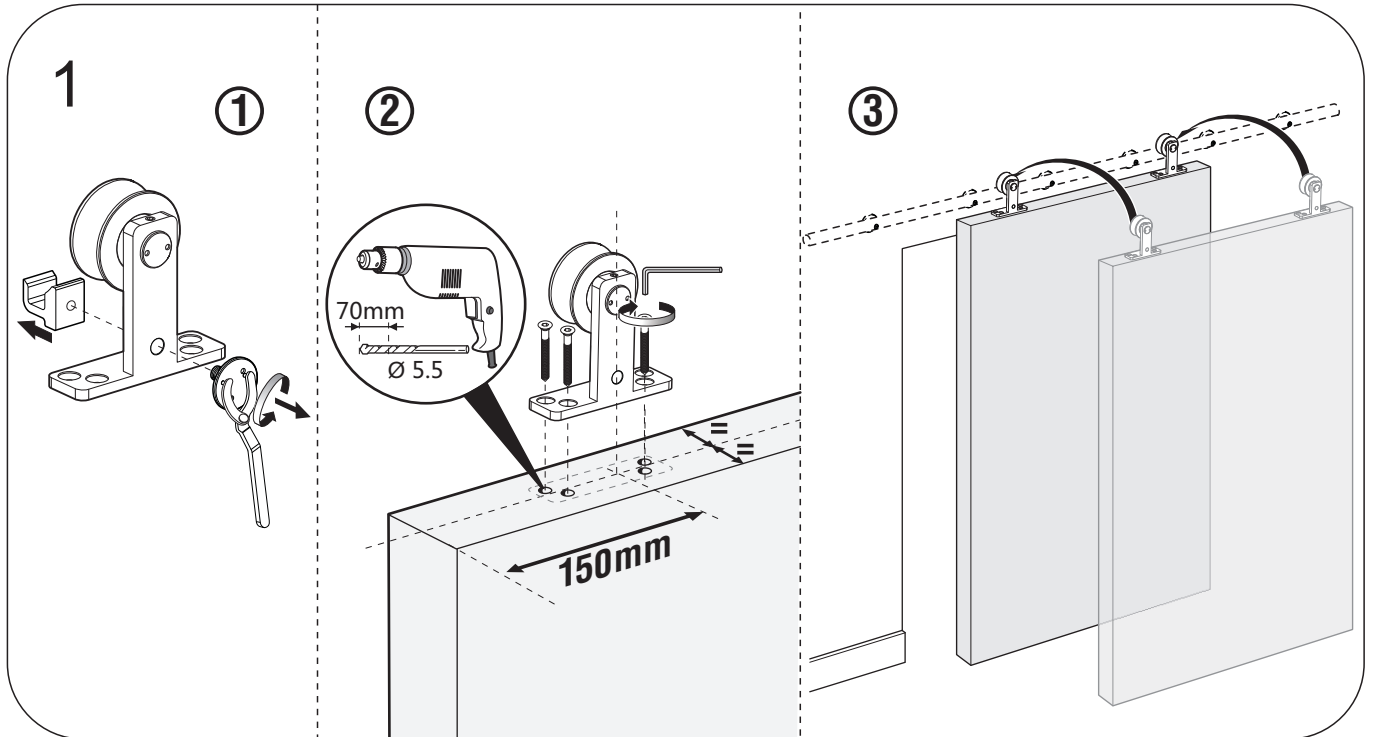
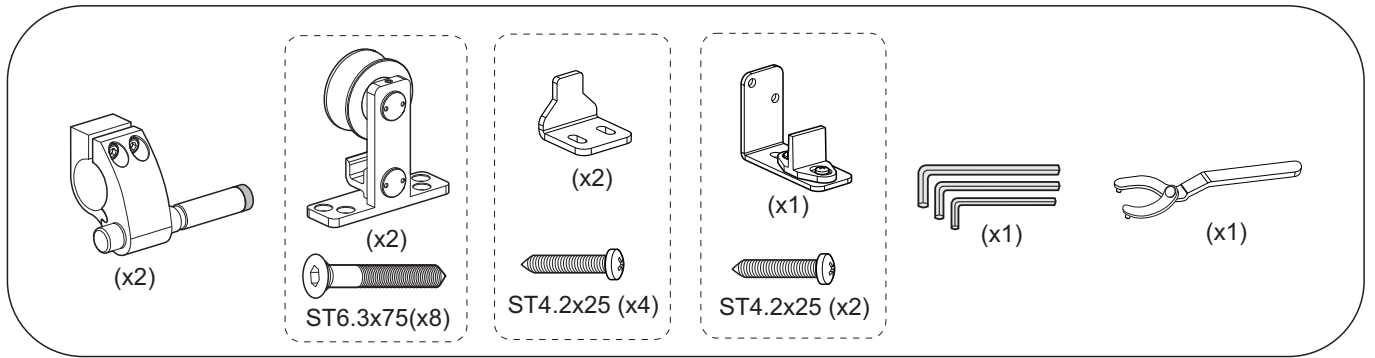
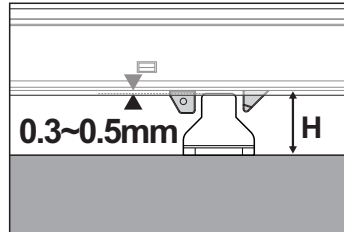
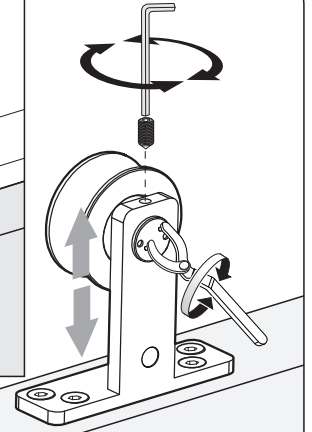
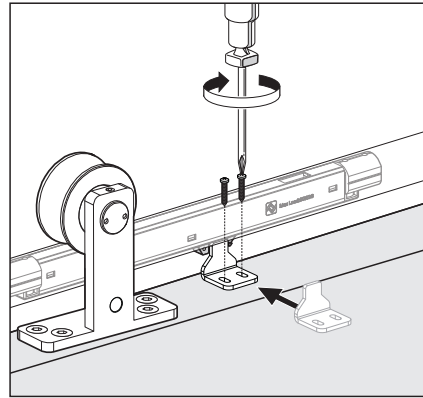
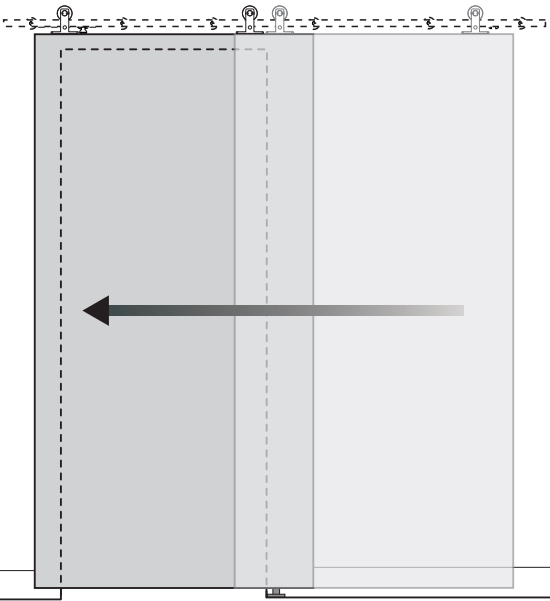


Installation Manual

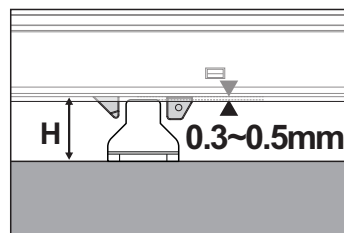
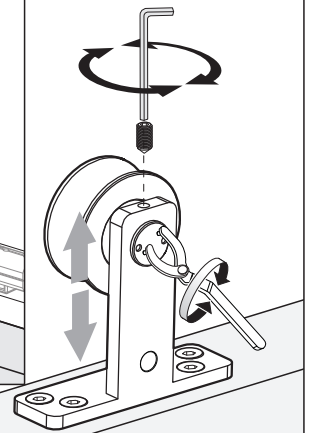
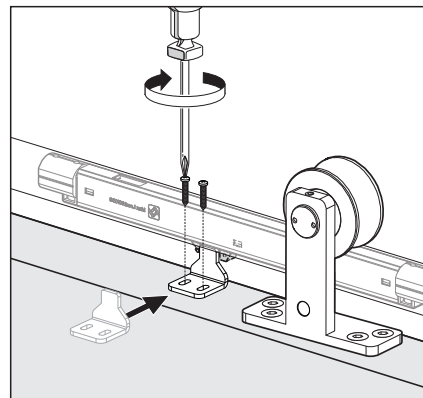
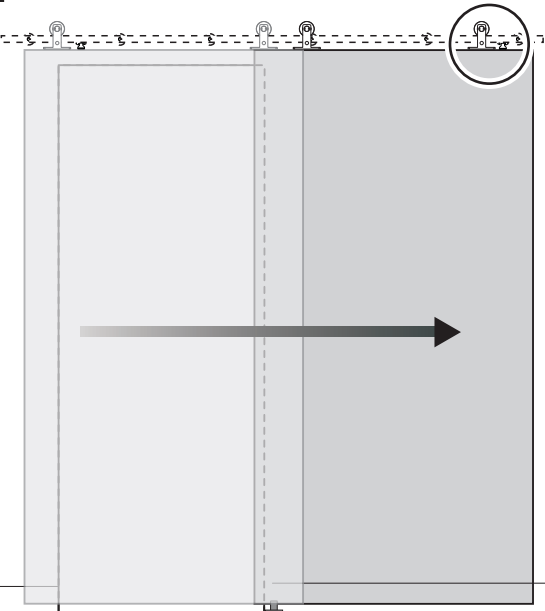


3



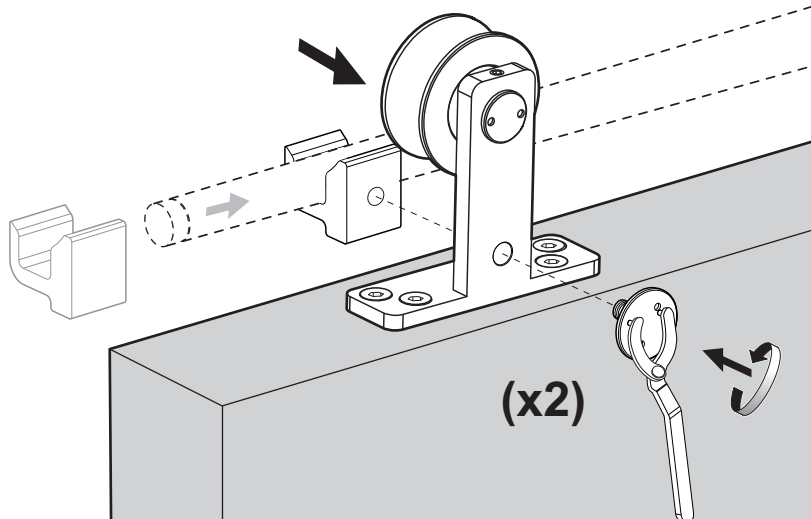
Here adjust the height to be a suitable position via adjust the roller screw, so that the trigger can push and pull the soft close.

4



Here adjust the height to be a suitable position via adjust the roller screw, so that the trigger can push and pull the soft close.

5



6

