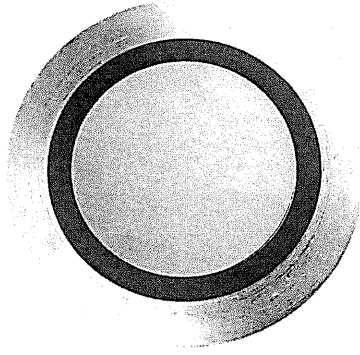
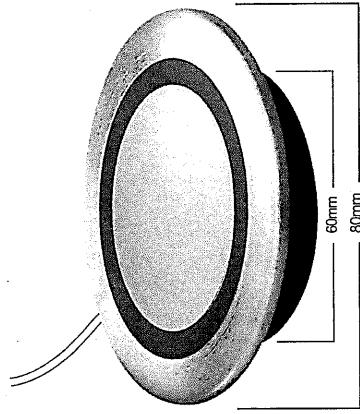


## EMBEDDED DESKTOP WIRELESS CHARGER



Quick Start Guide & User Manual  
UT-18

## PRODUCT FEATURE

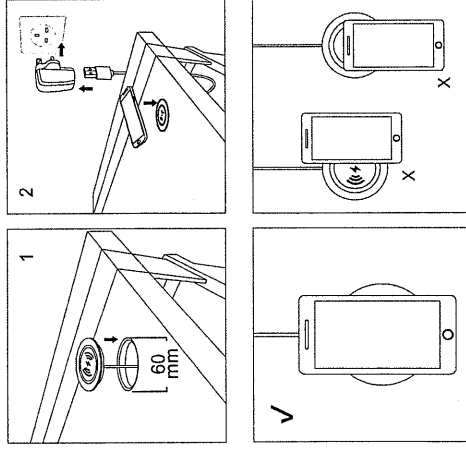


## SPECIFICATION

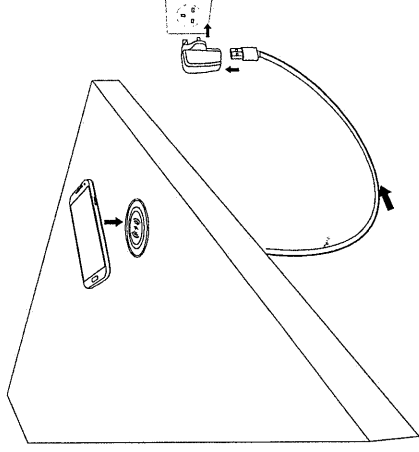
MODEL: UT-18  
OUTPUT: 5V/1A  
INPUT: 5V/1A  
CHARGE DISTANCE: 0-8MM  
CHARGE EFFICIENCY: 75%-100MM  
DIMENSION: 80\*60MM

OUTPUT: 5V/1A  
INPUT: 5V/1A  
CHARGE DISTANCE: 0-8MM  
CHARGE EFFICIENCY: 75%-100MM  
DIMENSION: 80\*60MM

## Installation Instructions



## Connect To Desktop



THE PACKING INCLUDE: X 1  
WIRELESS CHARGING POWER STATION X 1  
USER MANUAL X 1

## Care & Maintenance

- Avoid humidity, liquid, fire and high temperature as it may cause hazard to users. The product water-proof is IPX1.
- Do not try to disassemble or modify the product.
- Do not attempt to disassemble to avoid fire hazard or shortcircuit.
- Any of damage by abnormal use of product except product defectiveness itself will void the manufacture warranty.
- Do not use product when the cord is damp, damaged or, loose as it may cause short circuit and overheat.
- Do not bend the power cord.
- Do not handle the power cord with wet hands or pull the built-in cable.
- Having the silicon skin to be in contact with overheated devices or objects may cause scald, such as red dots or pigmentation.
- Keep the device away from microwave.
- Wireless charging transmitter are compatible with all WPC certified products.

Qi is a registered trademark of WPC. All rights reserved.