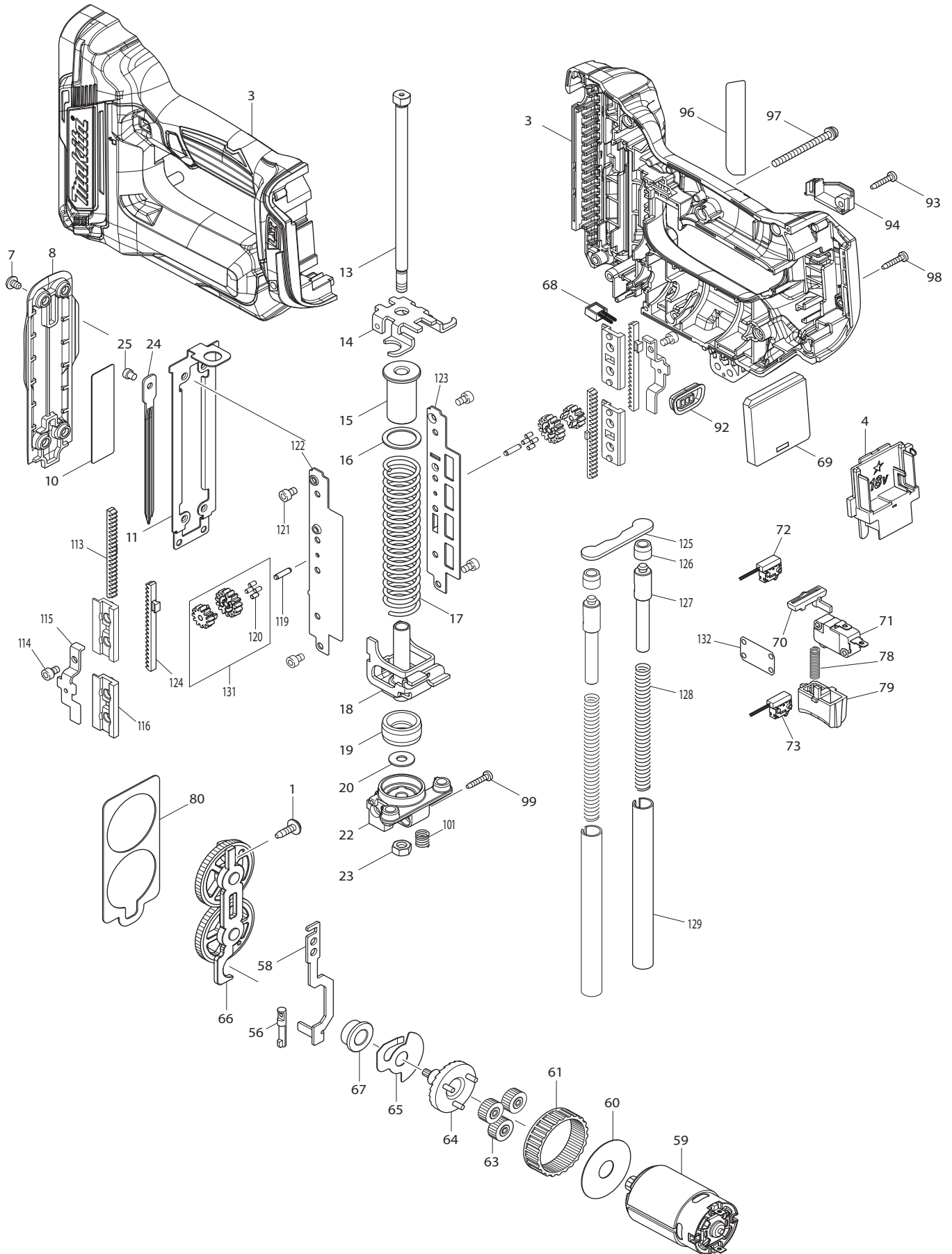
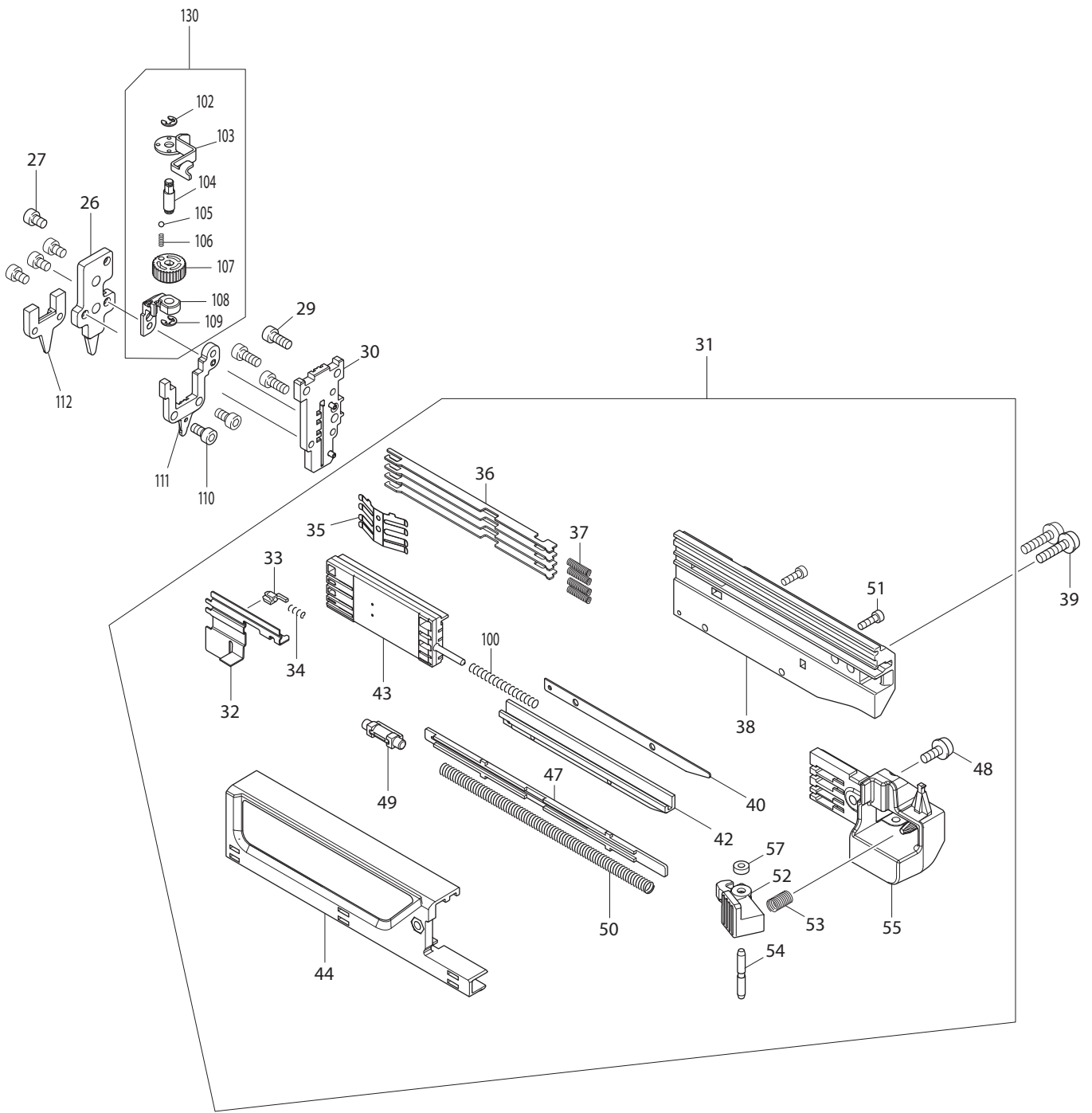




02 - 2017
DPT353Z
18V LXT Pin Nailer





| Item N | Type | Part No | Description | Qty | Unit |
|--------|------|----------|--------------------------------------|-----|------|
| 1 | | 266901-4 | TAPPING SCREW M4X14 | 1 | PC. |
| 3 | | 183F93-9 | HOUSING SET | 1 | SET |
| | INC. | 263005-3 | RUBBER PIN 6 | 2 | PC. |
| | INC. | 252126-6 | HEX LOCKING NUT M4-7 | 2 | PC. |
| | INC. | 931102-0 | HEX NUT M4 | 1 | PC. |
| 4 | | 643860-3 | TERMINAL | 1 | PC. |
| 7 | | 915101-0 | BINDING HEAD SCREW M4X6 | 4 | PC. |
| 8 | | 457384-1 | FRONT COVER | 1 | PC. |
| 10 | | 345704-0 | UPPER PLATE | 1 | PC. |
| 11 | | 347140-6 | RAIL | 1 | PC. |
| 13 | | 326903-3 | GUIDE BOLT | 1 | PC. |
| 14 | | 347143-0 | BOTTOM PLATE | 1 | PC. |
| 15 | | 457389-1 | SPRING HOLDER | 1 | PC. |
| 16 | | 347148-0 | SPRING BASE | 1 | PC. |
| 17 | | 232364-6 | COMPRESSION SPRING 17 | 1 | PC. |
| 18 | | 347141-4 | HAMMER | 1 | PC. |
| 19 | | 424952-5 | CUSHION | 1 | PC. |
| 20 | | 253804-1 | FLAT WASHER 6 | 1 | PC. |
| 22 | | 319537-9 | HOLDER | 1 | PC. |
| 23 | | 931302-2 | HEX NUT M6 | 1 | PC. |
| 24 | | 345702-4 | DRIVER | 1 | PC. |
| 25 | | 268157-5 | PIN 4 | 1 | PC. |
| 26 | | 144291-4 | DRIVER GUIDE COVER COMPLETE | 1 | PC. |
| 27 | | 922102-1 | HEX SOCKET HEAD BOLT M4X6 | 4 | PC. |
| 29 | | 922112-8 | HEX SOCKET HEAD BOLT M4X10 | 3 | PC. |
| 30 | | 144330-0 | DRIVER GUIDE COMPLETE | 1 | PC. |
| 31 | | 135895-3 | MAGAZINE ASSY | 1 | PC. |
| | INC. | | Item No. 32-38,40,42-44,47-55,57,100 | | |
| 32 | | 347138-3 | PUSHER | 1 | PC. |
| 33 | | 310176-8 | * STOPPER | 1 | PC. |
| 34 | | 233018-8 | COMPRESSION SPRING 3 | 1 | PC. |
| 35 | | 232362-0 | LEAF SPRING | 1 | PC. |
| 36 | | 346239-4 | NAIL STOPPER | 4 | PC. |
| 37 | | 232367-0 | COMPRESSION SPRING 3 | 4 | PC. |
| 38 | 1 | 457379-4 | * MAGAZINE | 1 | PC. |
| | 2 | 458195-7 | * MAGAZINE | 1 | PC. |
| 39 | | 911133-5 | PAN HEAD SCREW M4X18 | 2 | PC. |
| 40 | | 347137-5 | SPACER | 1 | PC. |
| 42 | | 144335-0 | LOWER RAIL COMPLETE | 1 | PC. |
| 43 | | 457382-5 | NAIL GUIDE HOLDER | 1 | PC. |
| 44 | | 144388-9 | UPPER RAIL COMPLETE | 1 | PC. |
| | INC. | 931102-0 | HEX NUT M4 | 1 | PC. |
| | INC. | 812C62-2 | CAUTION LABEL | 1 | PC. |
| 47 | | 457387-5 | SPRING COVER | 1 | PC. |
| 48 | | 911113-1 | PAN HEAD SCREW M4X10 WITH WASHER | 1 | PC. |
| 49 | | 457383-3 | SHOULDER PIN 5-6 | 1 | PC. |
| 50 | | 232366-2 | COMPRESSION SPRING 5 | 1 | PC. |
| 51 | | 266177-3 | HEX SOCKET HEAD BOLT M3X10 | 2 | PC. |
| 52 | | 457388-3 | LEVER | 1 | PC. |
| 53 | | 233117-6 | COMPRESSION SPRING 6 | 1 | PC. |
| 54 | | 256793-9 | PIN 3 | 1 | PC. |
| 55 | | 457381-7 | SLIDE DOOR CAP | 1 | PC. |
| 56 | | 268158-3 | PIN 5 | 1 | PC. |
| 57 | | 262054-7 | URETHANE RING 3 | 1 | PC. |
| 58 | | 347139-1 | LOCK ARM | 1 | PC. |
| 59 | | 629253-8 | DC MOTOR | 1 | PC. |
| 60 | | 267053-4 | FLAT WASHER 12 | 1 | PC. |
| 61 | | 227166-3 | INTERNAL GEAR 69 | 1 | PC. |
| 63 | | 221961-3 | SPUR GEAR 27 | 3 | PC. |
| 64 | | 154973-0 | SPUR GEAR 7 COMPLETE | 1 | PC. |

| Item N | Type | Part No | Description | Qty | Unit |
|--------------------|------|----------|---|-----|------|
| 65 | | 345773-1 | ANTI BACK PLATE | 1 | PC. |
| 66 | | 144290-6 | SPUR GEAR 55 COMPLETE | 1 | PC. |
| 67 | | 214060-8 | PLANE BEARING 10 | 1 | PC. |
| 68 | | 620507-6 | LED CIRCUIT | 1 | PC. |
| 69 | | 632J90-1 | CONTROLLER UNIT | 1 | PC. |
| 70 | | 456799-9 | TRIGGER LOCK | 1 | PC. |
| 71 | 1 | 632J09-0 | SWITCH UNIT | 1 | PC. |
| | 2 | 632M82-8 | SWITCH UNIT | 1 | PC. |
| 72 | | 632G60-2 | SWITCH UNIT | 1 | PC. |
| 73 | | 632K06-2 | SWITCH UNIT | 1 | PC. |
| 78 | | 232370-1 | COMPRESSION SPRING 5 | 1 | PC. |
| 79 | | 457386-7 | TRIGGER | 1 | PC. |
| 80 | | 347142-2 | GEAR PLATE | 1 | PC. |
| 92 | | 143778-3 | INDICATOR PANEL COMPLETE | 1 | PC. |
| 93 | | 266130-9 | TAPPING SCREW BIND PT M3X16 | 1 | PC. |
| 94 | | 457385-9 | HOUSING R COVER | 1 | PC. |
| 96 | | 852X49-8 | NAME PLATE F/DPT353 | 1 | PC. |
| 97 | | 911173-3 | PAN HEAD SCREW M4X45 | 1 | PC. |
| 98 | | 266130-9 | TAPPING SCREW BIND PT M3X16 | 8 | PC. |
| 99 | | 266130-9 | TAPPING SCREW BIND PT M3X16 | 1 | PC. |
| 100 | | 233459-8 | COMPRESSION SPRING 3 | 1 | PC. |
| 101 | | 232365-4 | COMPRESSION SPRING 7 | 1 | PC. |
| 102 | | 961017-7 | STOP RING E-3 | 1 | PC. |
| 103 | | 347136-7 | CONTACT ARM | 1 | PC. |
| 104 | | 326905-9 | ADJUSTER SHAFT | 1 | PC. |
| 105 | | 216031-1 | STEEL BALL 2.3 | 1 | PC. |
| 106 | | 234254-9 | COMPRESSION SPRING 2 | 1 | PC. |
| 107 | | 457378-6 | ADJUSTER | 1 | PC. |
| 108 | | 310778-0 | ARM | 1 | PC. |
| 109 | | 961017-7 | STOP RING E-3 | 1 | PC. |
| 110 | | 922107-1 | HEX SOCKET HEAD BOLT M4X8 | 2 | PC. |
| 111 | | 144329-5 | CENTER PLATE COMPLETE | 1 | PC. |
| 112 | | 310777-2 | CONTACT TOP COVER | 1 | PC. |
| 113 | | 310780-3 | COUNTER WEIGHT A | 2 | PC. |
| 114 | | 251566-5 | HSH BOLT M4X6 WITH WASHER | 2 | PC. |
| 115 | | 347146-4 | PINION GUIDE | 2 | PC. |
| 116 | | 457390-6 | COUNTER WEIGHT HOLDER | 4 | PC. |
| 119 | | 326902-5 | PINION SHAFT | 2 | PC. |
| 120 | | 424953-3 | DUMPER RUBBER | 8 | PC. |
| 121 | | 922102-1 | HEX SOCKET HEAD BOLT M4X6 | 4 | PC. |
| 122 | | 347145-6 | GUIDE RAIL R | 1 | PC. |
| 123 | | 347144-8 | GUIDE RAIL L | 1 | PC. |
| 124 | | 310781-1 | COUNTER WEIGHT B | 2 | PC. |
| 125 | | 347147-2 | COUNTER STOPPER | 1 | PC. |
| 126 | | 424954-1 | COUNTER CUSHION | 2 | PC. |
| 127 | | 326904-1 | WEIGHT | 2 | PC. |
| 128 | | 232363-8 | COMPRESSION SPRING 7 | 2 | PC. |
| 129 | | 326901-7 | GUIDE PIPE | 2 | PC. |
| 130 | | 135857-1 | CONTACT ARM ASSY | 1 | PC. |
| | INC. | | Item No. 102-109 | | |
| 131 | | 135855-5 | SPUR GEAR ASSEMBLY | 2 | PC. |
| | INC. | | Item No. 120 | | |
| 132 | | 457809-5 | SWITCH GUARD | 1 | PC. |
| 200 | | 251314-2 | +TH SCREW M4X12 F/HOOK | 1 | PC. |
| ACCESSORIES | | | - See Catalogue or visit www.makita.ca for more accessories - | | |
| A01 | | 195246-2 | SAFETY GOGGLES | 1 | PC. |
| A03 | | 346449-3 | HOOK F/14.4V, 18V LI-ION BTRY | 1 | PC. |
| A04 | 1 | 424955-9 | NOSE ADAPTER CLEAR | 2 | PC. |
| | 2 | 422372-7 | NOSE ADAPTER RED | 2 | PC. |

| Item N | Type | Part No | Description | Qty | Unit |
|--------|------|----------|------------------------------|-----|------|
| A05 | | 783201-2 | HEX WRENCH 3 | 1 | PC. |
| A06 | | ----- | 18V LI-ION BATTERY | | |
| A07 | | ----- | BATTERY CHARGER | | |
| A08 | | ----- | LI-ION BATTERY ACCESSORIES | | |
| A09 | | 197211-7 | INTERLOCKING TOOL CASE M | 1 | PC. |
| | INC. | 453974-8 | LOCKING LATCH | 4 | PC. |
| A10 | | T-02571 | FOAM INSERT F/INTERLOCK CASE | 2 | PC. |
| A11 | | 422240-4 | NOSE ADAPTER | 1 | PC. |

SERVICE CHANGES

1. Changes on Magazine

(TI#B8741)

| Item No. | Description | Type 1 | Type 2 |
|----------|-------------|----------|----------|
| 33 | STOPPER | | 310176-8 |
| 38 | MAGAZINE | 457379-4 | 458195-7 |

****When you replace Item No. 33 Stopper**

If the magazine indication is 4573794, replace the stopper and the magazine with new ones (Type 2)
 If the magazine indication is 4581957(Implementation: from serial No. 4957), you do not necessarily replace the magazine with a new one (Type2).

Note: Check the indication and follow the steps shown below.

