

Accuride



*Two brackets are required for a pair of slides.



Description

The Clip-On Bracket enables bottom or platform mounting with side-mount ball bearing slides.

No.	Description
54100814	CLIP ON BRACKET F/BOT.MOUNT 14"
54100816	CLIP ON BRACKET F/BOT.MOUNT 16"
54100818	CLIP ON BRACKET F/BOT.MOUNT 18"
54100820	CLIP ON BRACKET F/BOT.MOUNT 20"
54100822	CLIP ON BRACKET F/BOT.MOUNT 22"

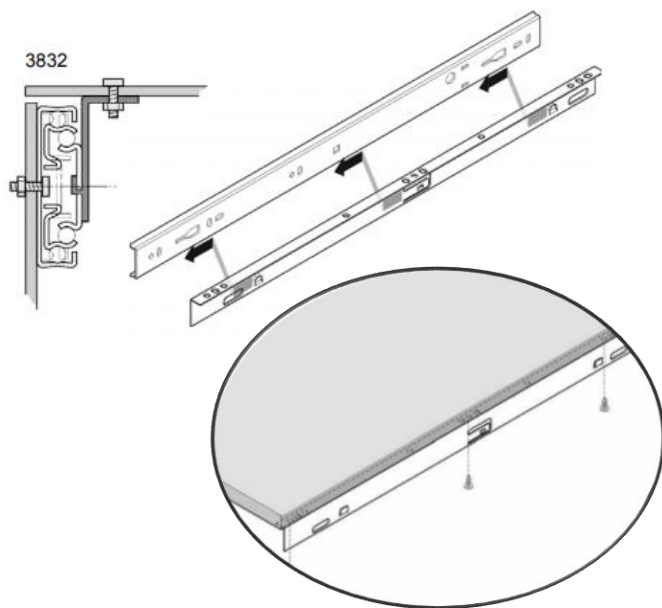
Compatible with series :

- 2109
- 2132
- 3732
- 3832E Classic, 3832EDO, 3832ESC, 3832EHDSC & CH3832.



Application

Platform Mount



Bottom Mount

