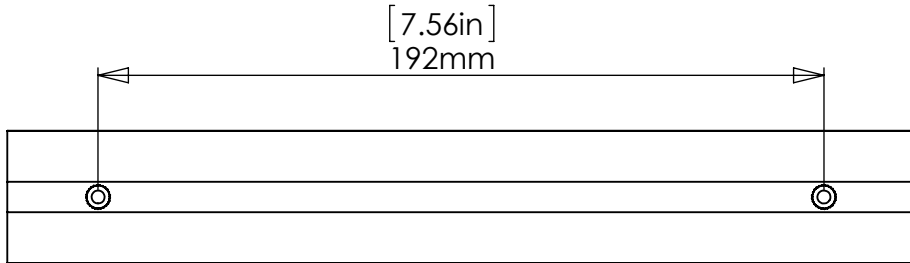
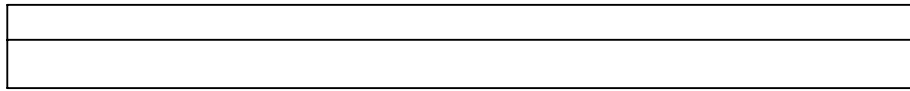
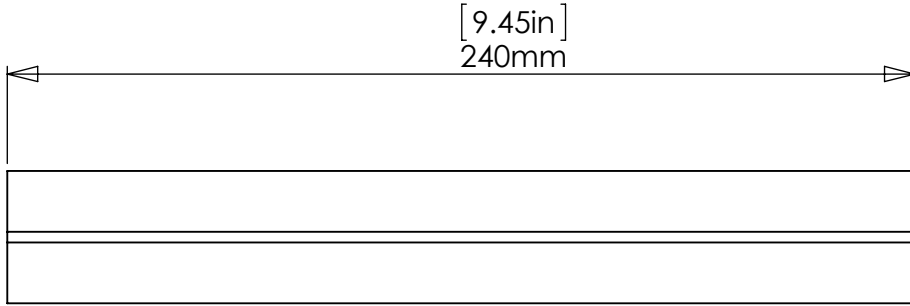


Put Cinnamon Oil in Holes
 $\varnothing 1.60\text{mm}$ [0.06in] $\nabla 5$ [0.20] (2x)

Standard RH #M4
supplied for installation
(2x)

M4
Threaded
Insert



[1.38in]
35mm

[0.30in]
 $\pm 7.53\text{mm}$

[0.87in]
22mm

[0.87in]
22mm

