



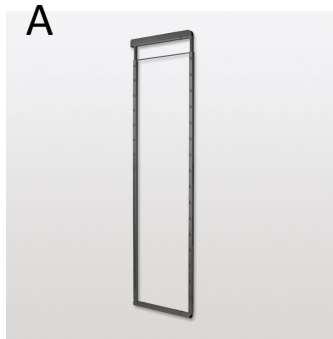
FIORO product line present a perfect marriage of wood and metal.

Warm, natural colors and materials are the latest trend in the furniture world. Wood and metal, for instance oak and steel, complement one another and make for aesthetically pleasing result.

The lines between the kitchen and other living areas are becoming increasingly blurred, making style, design and functionality more important than ever. When merged with the richness of natural oak, dark grey interior fittings made of coated steel project as subtle air of understated elegance.

Wall and Pantry units

Pantry unit Fioro – 150



The pantry unit **Fioro** offers a new trendy look for your pantry cabinets

For a complete set, order :

A : 1 frame

B or C : 1 set of runners

D : 1 pair of front brackets

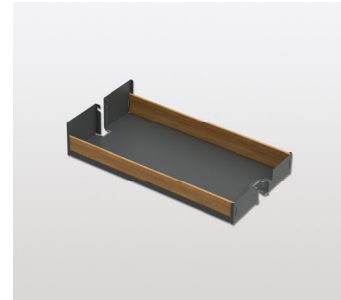
E : 1 set of 4 shelves

E : # of individual shelves

D



E



Each shelf includes two 87mm high oak rails and anti-slip mats; ideal to keep stored items in place. Available in sets of 4 shelves or individual shelf.

Ref.	Code	Description	Int. Height	Recommended # shelves
A	10592906	Frame	1200-1600mm (47 1/4" - 63")	4
A	10594906	Frame	1600-2000mm (63" - 78 3/4")	5 - 6
A	10596906	Frame	1805-2260mm (71 1/16" - 89")	6

Ref.	Code	Description	Min. int. Width with 3/4 ext. runner	Min. Int. Width with full ext. runner	Qty/box
B	10922906	Runner 3/4 ext.100kg			1
* C	10874906	Runner full ext. 120kg			1
D	10892906	Front bracket 100mm	112mm (4 7/16")	130mm (5 1/8")	1 pair
E	10995906	Set of 4 helves 100mm	112mm (4 7/16")	130mm (5 1/8")	4
E	11001906	Individual shelf 100mm	112mm (4 7/16")	130mm (5 1/8")	1

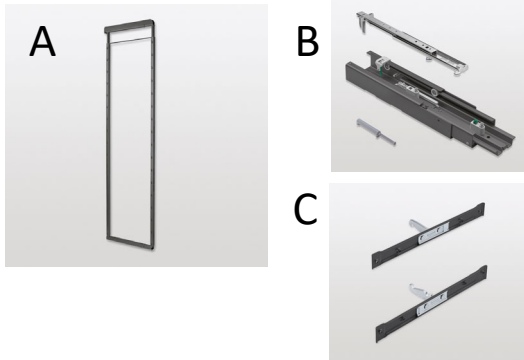
* Full lextension runner can only be used if internal cabinet width is min. 130mm and cabinet has a plain door. Doesn't work with shaker door type.

Technical Information

- Int. Height. of 1200 to 2260mm.
- For 112mm or 130mm internal cabinet width.
- ClickFixx device for easy and quick assembly.
- Dark grey and natural oak finish
- Load capacity of 100 kg (220lbs) or 120kg (265lbs) depending on runner used.
- Installation depth : min. 505mm (19 7/8")
- Top and bottom mounted

Wall and Pantry units

Pantry unit **Fioro** – 300- 400 -450

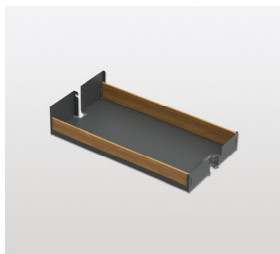


The pantry unit **Fioro** gives you a new trendy look in your pantry cabinets

For a complete set, order :

- A : 1 frame
- B : 1 pair of runners
- C : 1 pair of front brackets
- D : 1 set of 4 baskets
- E : # of individual baskets

D



Each shelf includes two 87mm high oak rails and anti-slip mats; ideal to keep stored items in place. Available in sets of 4 shelves or individual shelf.

Additional accessories



10706906
Magnetic divider



10142906
Front stabilizer



10163906
Pair of additional hooks. 125mm (5") tall.

* Can only be used when frame is extended to maximum range

Ref.	Code	Description	Int. height	# shelves
A	10592906	Frame	1200-1600mm (47 ¼" - 63")	4
A	10594906	Frame	1600-2000mm (63" – 78 ¾")	5 - 6
A	10596906	Frame	1805-2260mm (71 1/16" – 89")	6
Ref.	Code	Description	Prod. Width	Qty/box
B	10874906	Runner full ext. 120kg	130mm (5 1/8")	1
Ref.	Code	Description	262 mm (10 5/16")	Qty/box
C	10585906	Front bracket 250mm	262 mm (10 5/16")	1 pair
C	10586906	Front bracket 350mm	362 mm (14 1/4")	1 pair
C	11000906	Front bracket 400mm	412 mm (16 1/4")	1 pair
Ref.	Code	Description	Application	Qty/box
D	10980906	Set shelves 250mm	262 mm (10 5/16")	4
D	10984906	Set shelves 350mm	362 mm (14 1/4")	4
D	10986906	Set shelves 400mm	412 mm (16 1/4")	4
D	10981906	Individual shelf 250mm	262 mm (10 5/16")	1
D	10985906	Individual shelf 350mm	362 mm (14 1/4")	1
D	10987906	Individual shelf 400mm	412 mm (16 1/4")	1

Technical Information

- Int. Height of 1200 to 2260mm
- For cabinets of 300 – 400 – 450mm.
- ClickFixx device for easy and quick installation
- Dark grey and natural oak finish
- Load capacity of 100 kg (220lbs)
- Installation depth : min. 495mm

Wall and Pantry units

Pleno

The **Pleno** system comes forward when you open the door. It is easy to order, only one code for the complete set. Delivered with 6 shelves, you can store a whole grocery. The oak railing keep stored items from falling.



A



- Reversible frame, can be installed for right or left hand doors opening.
- For cabinets of 412mm (16 ¼") and 582mm (22 15/16") interior width
- Min. int. height : 1900mm (74 13/16")
- Complete set delivered with 6 Fiore shelves and anti-slip mats
- Opening angle of 110 degrees.
- Load capacity of 100 kg (220 lbs)
- Int. Depth : min. 505mm (19 7/8")
- Soft-opening device included

The set includes bottom and top frame, 6 shelves, 6 oak railing, door connectors. 1 lower slide and 1 upper slide

Ref.	Code	Description	Int. Width	Frame Height
A	10988906	Pantry frame Pleno 450mm dark grey	Min. 412mm (16 ¼")	Min. 1715mm (67 ½") *
A	10989906	Pantry frame Pleno 600mm dark grey	Min. 562mm (22 1/8")	Min. 1715mm (67 ½") *

* **Total height** : Consider 185mm (7 ¼") of additional height for contents storage on the top shelf.

Base cabinets

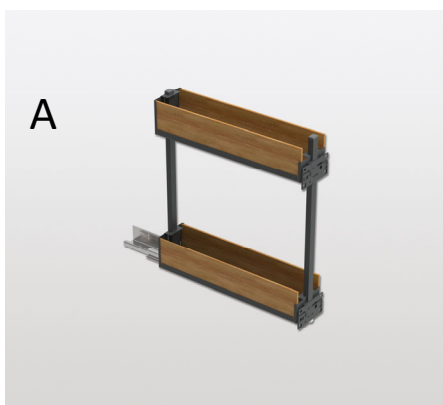
Fioro



The perfect solution for narrow base cabinet. Lateral mounting provides excellent stability thanks to the sturdy frame. Door-mounted to provide control on three axes. The ideal product for organizing dried goods, canned foods, cookie boxes, and much more

The sets include :

- Full extension slides
- 2 Fioro shelves with 87mm (3 7/16") oak railings
- Anti-slip mats for each shelf
- Soft-close device on the top and at the bottom
- Load capacity : 150/200 : 15kg (33 lbs)
- Load capacity : 300 : 20kg (44 lbs)



Ref.	Code	Description	Int. Min. Width	Int. Min. Depth	Int. Min. Height
A	22118906	FIORO 150 2 TIER DARK GRAY	112mm (4 7/16")	475mm (18 3/4")	520mm (20 1/2")
A	22119906	FIORO 200 2 TIER DARK GRAY	162mm (6 3/8")	475mm (18 3/4")	520mm (20 1/2")
A	22120906	FIORO 300 2 TIER DARK GRAY	262mm (10 5/16")	475mm (18 3/4")	520mm (20 1/2")
B	22121906	FIORO 150 TOWEL DARK GRAY	112mm (4 7/16")	475mm (18 3/4")	660mm (26")

Anti-slip mats included

Base cabinets

Extendo

The **Extendo** shelves can be used as a pantry unit or in many other applications : base cabinets, in the living room, closet, bedroom, etc. **Extendo** is usefull wherever you need a pull-out shelf. Just add the concealed extension runners of your choice (sold separately) and just sit the shelves on these, you are now set up. Adaptable to metric and imperial sizes



Extendo set includes :

- 1 Fiore shelf
- 1 anti-slip mat
- 1 oak railing of 87mm
- 1 pair of universal adapters for 450mm nominal length slides (see installation instructions on our web site for details on compatible slides)

Code	Description	Int. Min. Width	Int. Min. Depth	Int. Min. Height
22125906	Extendo 400mm dark grey	412 to 418mm (16 ¼" to 16 1/2")	508mm (20")	120mm (4 ¾")
22126906	Extendo 550mm dark grey	562 to 568mm (22 1/8" to 22 3/8")	508mm (20")	120mm (4 ¾")
22127906	Extendo 850mm dark grey	862 to 868mm (33 15/16" to 34 3/16")	508mm (20")	120mm (4 ¾")

Corner cabinets

Magic Corner



Right hand shown

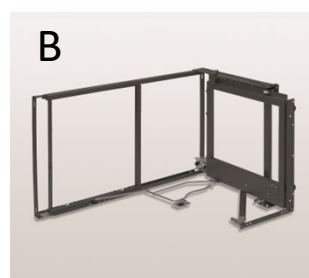


Left hand shown

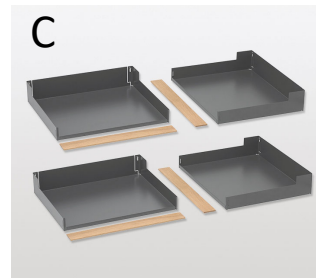
Magic Corner is the perfect solution to make the best use of space in your corner cabinet. The front shelves are mounted to the door, so when you pull the door, they open on one side and the back shelves automatically slide forward giving you a total access to the items stored. Ideal for cookware or tableware storage. Integrated soft-closing mechanism. Every shelf can be easily removed for cleaning. The steel dark grey shelves are delivered with oak railings to give a very trendy look to your kitchen. Anti-slip mats keep the contents stable when opening or closing the mechanism.



Left hand opening



Right hand opening



Set of 4 shelves

* Each set of 4 shelves include a 52mm oak railing and anti-slip mat per shelf

Ref.	Code	Description	Int. Min. Width	Int. Min. Depth	Int. Min. Height	Min. door opening
A	30826906	MC FRAME LEFT 900MM DARK GREY	860 to 971mm (33 7/8" to 38 1/4")	500mm (19 11/16")	540mm (21 1/4")	
B	30831906	MC FRAME RIGHT 900MM DARK GREY	860 to 971mm (33 7/8" to 38 1/4")	500mm (19 11/16")	540mm (21 1/4")	
C	31010906	MC SHELVES 450MM DOOR DARK GREY				395mm (15 9/16")

Corner cabinets

Magic Corner II

Magic Corner II is the perfect solution for corner cabinets with hinged door. Not only it transform the space available in your corner cabinet into functionality, but it gives you an immediate access on all items stored. Pull the front baskets out of the cabinet and the rear baskets follows in the same movement, then pull out on the rear baskets and you then get access to the total storage



Right hand shown

For a complete set, order :

A



Left hand opening

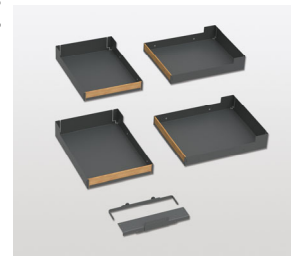
or

B



Right hand opening

C



Set of 4 shelves

* Each set of 4 shelves include a 52mm oak railing and anti-slip mat per shelf. Frame fixing brackets included.

Ref.	Code	Description	Int.min. Width	Int. Min. Depth	Int. Min. Height	Min. door opening
A	30581906	MCII FRAME LEFT 900MM DARK GREY	862 to 971mm (33 7/8" to 38 1/4")	498mm (19 5/8")	545mm (21 7/16")	
B	30580906	MCII FRAME RIGHT 900MM DARK GREY	862 to 971mm (33 7/8" to 38 1/4")	498mm (19 5/8")	545mm (21 7/16")	
A	30583906	MCII FRAME LEFT 1000MM DARK GREY	962 to 1171mm (37 7/8" to 46 1/8")	498mm (19 5/8")	545mm (21 7/16")	
B	30582906	MCII FRAME RIGHT 1000MM DARK GREY	962 to 1171mm (37 7/8" to 46 1/8")	498mm (19 5/8")	545mm (21 7/16")	
C	31007906	MCII SHELVES 450MM DOOR DARK GREY				394mm (15 1/2")
C	31008906	MCII SHELVES 500MM DOOR DARK GREY				444mm (17 1/2")
C	31009906	MCII SHELVES 550-600MM DOOR DARK GREY				494mm (19 7/16")