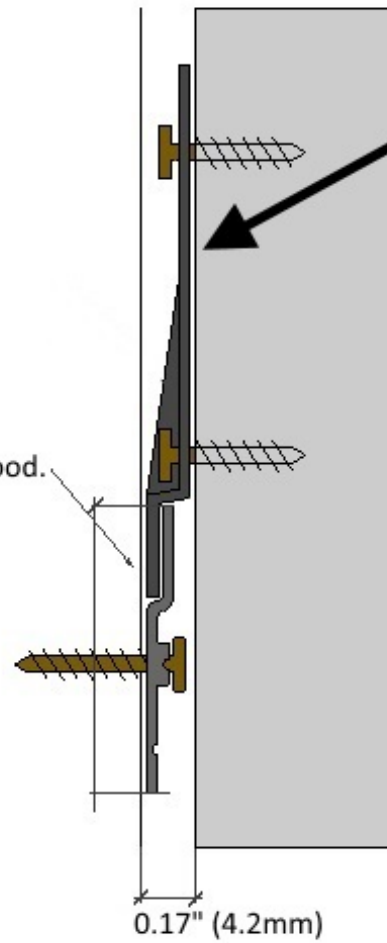
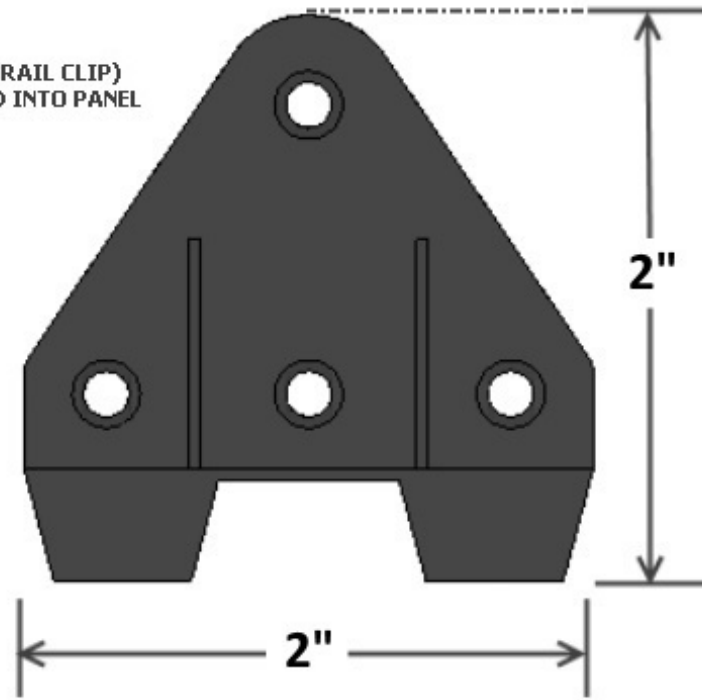


1. Standard SRAIL (Split Rail) where wall is good.



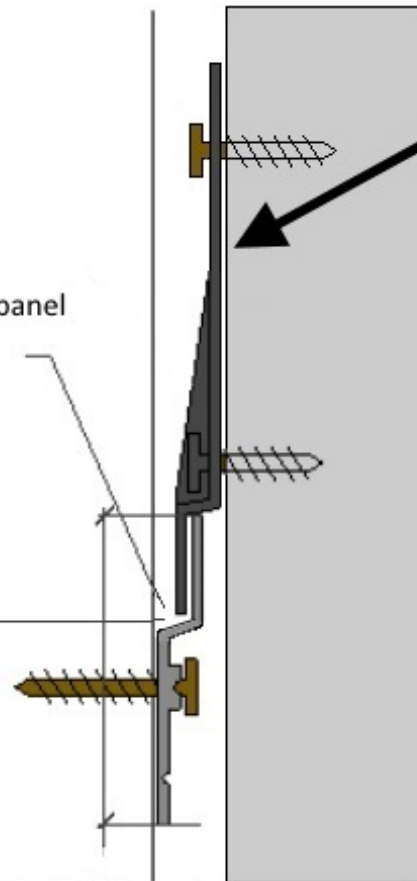
SRC (SPLIT RAIL CLIP)
SCREWED INTO PANEL



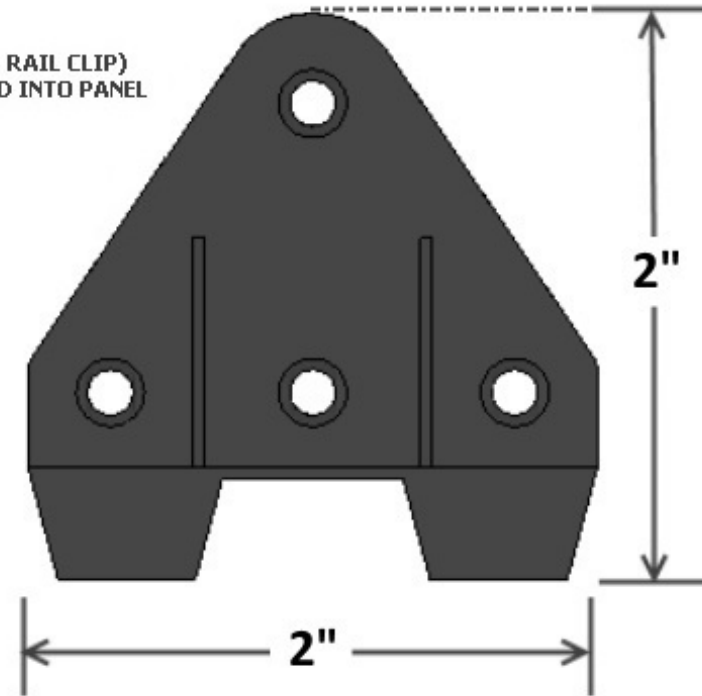
SRC (SPLIT RAIL CLIP)
MADE FROM STRONG GLASS FILLED NYLON

3. The slight angulation of both the SRC and the SRAILMT, will ensure when the panel is in place it will sit close to the wall and not as shown.

2. SRAILMT (Split Rail More Tolerance) is where wall is not so good. An additional 0.06" (1.5mm) will make installation easier



SRC (SPLIT RAIL CLIP)
SCREWED INTO PANEL



SRC (SPLIT RAIL CLIP)
MADE FROM STRONG GLASS FILLED NYLON

Additional 0.06" (1.5mm)