

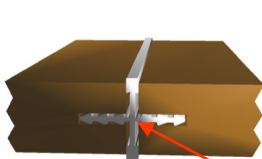


Ph: 64 9 272 9990
 29 Stonedon Drive,
 East Tamaki,
 Auckland,
 New Zealand

MCLN-Linear

New Stickman Linear Profiles

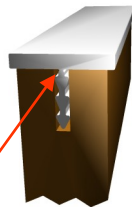
Free phone NZ: 0508 752 659
 Free phone Aus: 1800 146 757
 info@plankwall.co.nz
 www.stickman.co.nz



MCLNJOIN

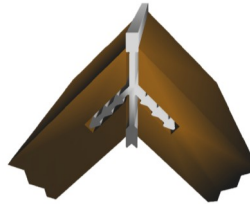
McLinear Joiner

Breakline



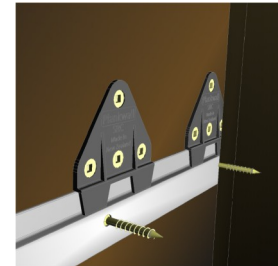
MCLNCAP

McLinear Cap

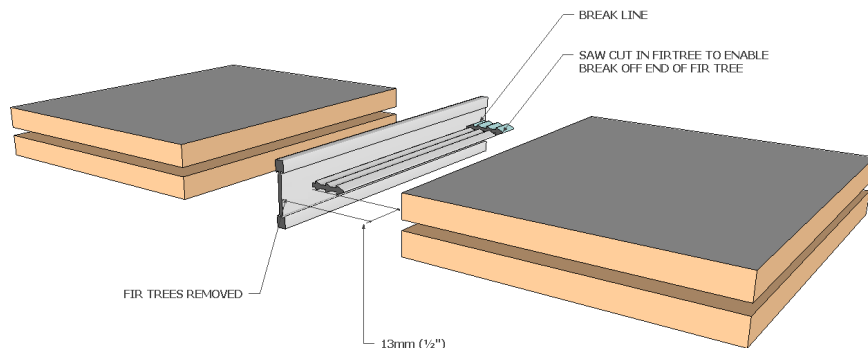


MCLNCORN

McLinear Corner

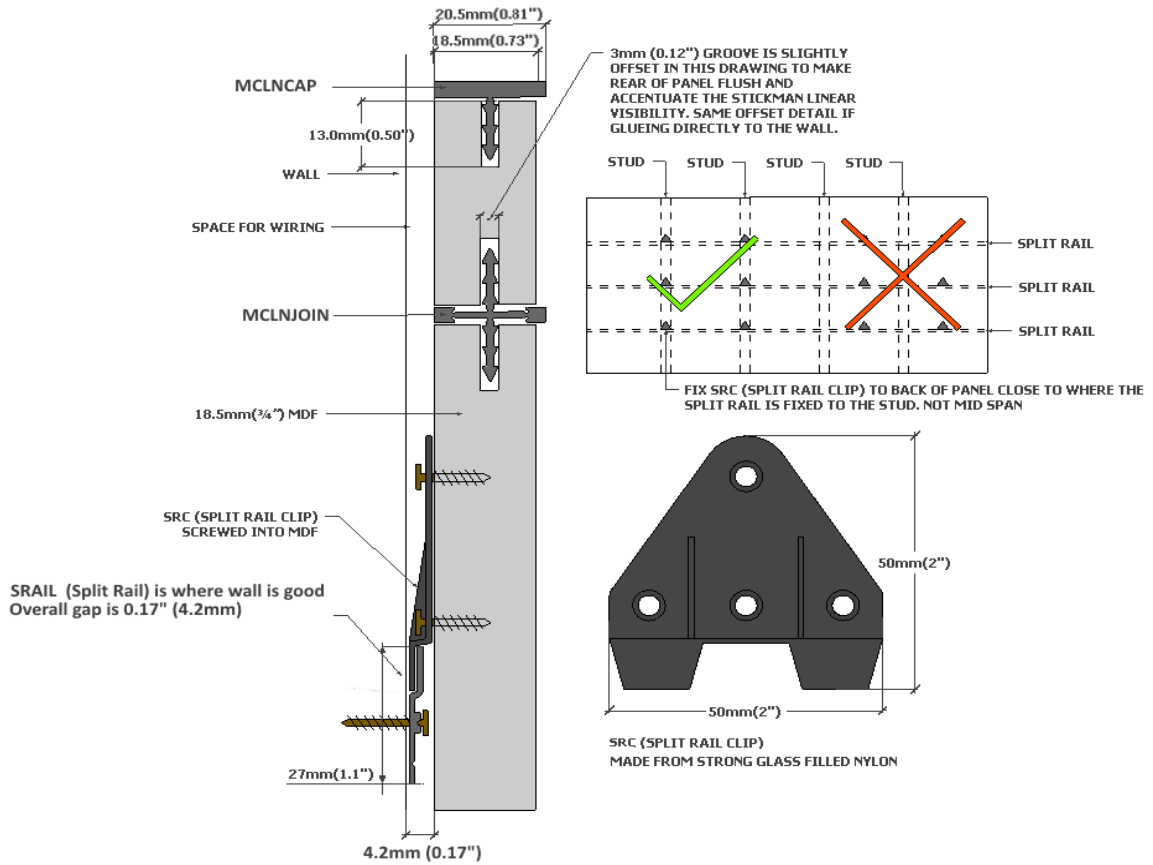


**Split Rail and Split rail Clip
 for concealed fixing**

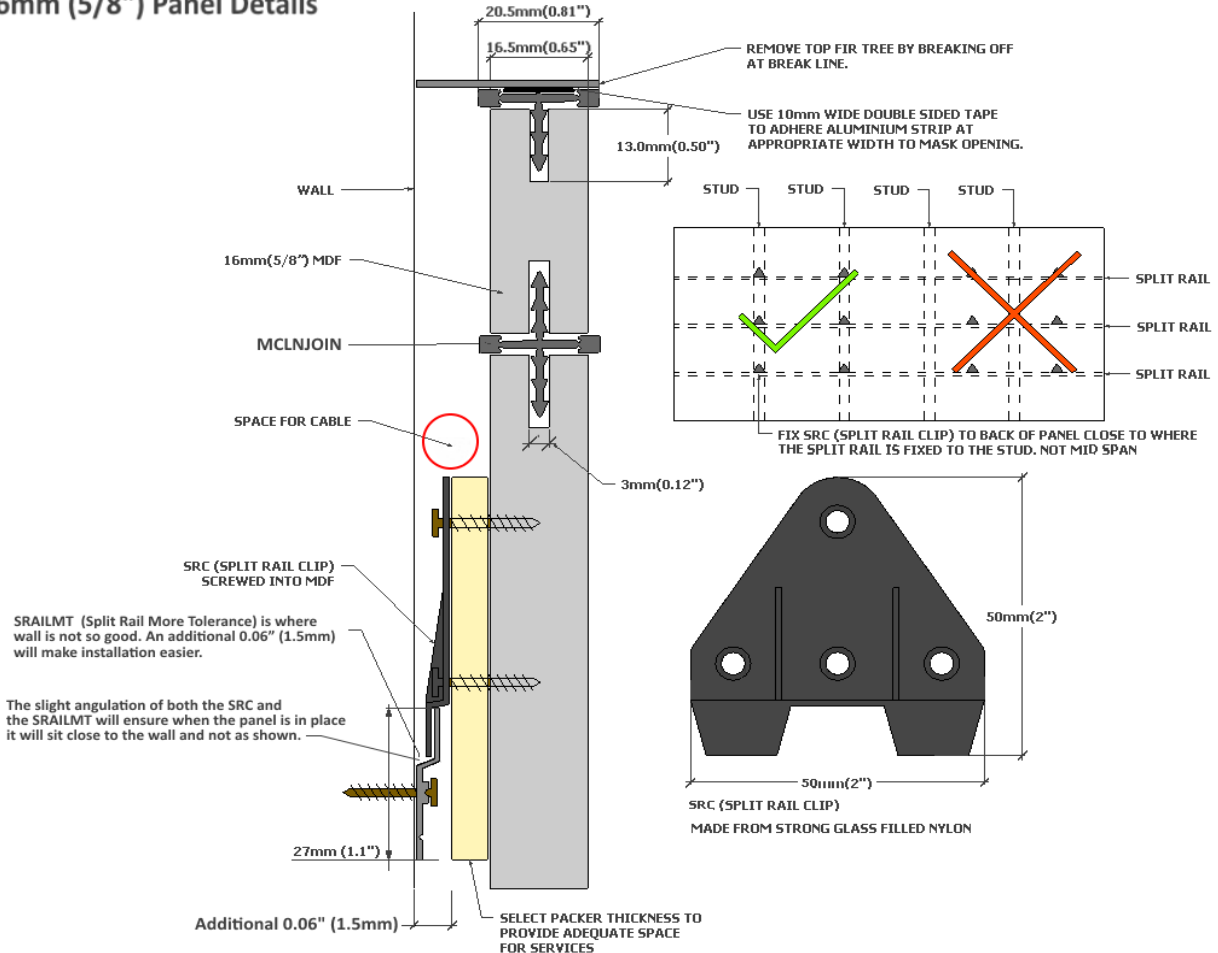


MCLNJOIN - Panel Join

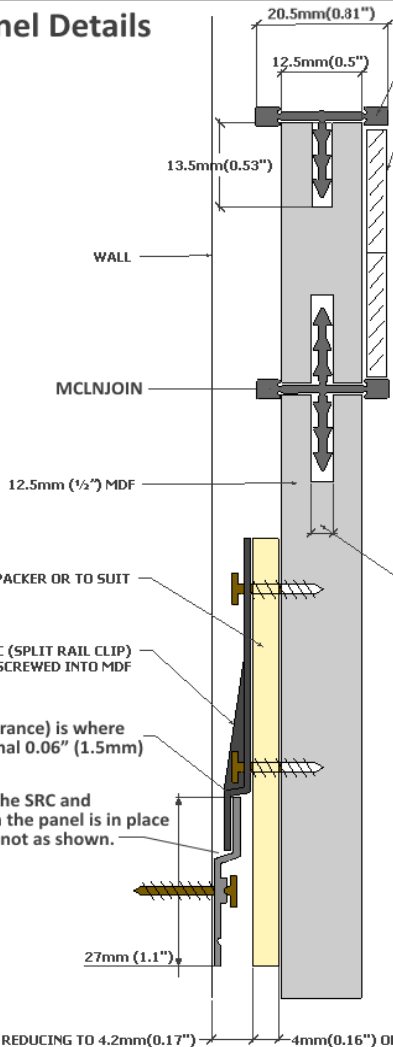
18mm (3/4") Panel Details



16mm (5/8") Panel Details

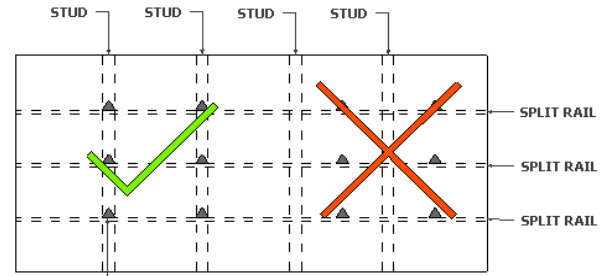


12mm (1/2") Panel Details

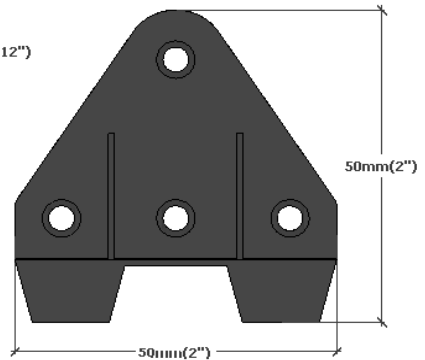


MCLNJOIN WITH TOP FIR TREE BROKEN OFF.

USING 12mm (0.5") ENABLES FINISHES TO BE APPLIED. THE GROOVING OF THE PANEL CAN BE OFFSET TO ACCOMMODATE THICKER TILES, FABRICS, MIRRORS, GLASS, ETC.



FIX SRC (SPLIT RAIL CLIP) TO BACK OF PANEL CLOSE TO WHERE THE SPLIT RAIL IS FIXED TO THE STUD. NOT MID SPAN



SRC (SPLIT RAIL CLIP)
MADE FROM STRONG GLASS FILLED NYLON

SRAILMT (Split Rail More Tolerance) is where wall is not so good. An additional 0.06" (1.5mm) will make installation easier.

The slight angulation of both the SRC and the SRAILMT will ensure when the panel is in place it will sit close to the wall and not as shown.

6mm (0.24") REDUCING TO 4.2mm (0.17") 4mm (0.16") OR TO SUIT

