

1

2

3

A

A

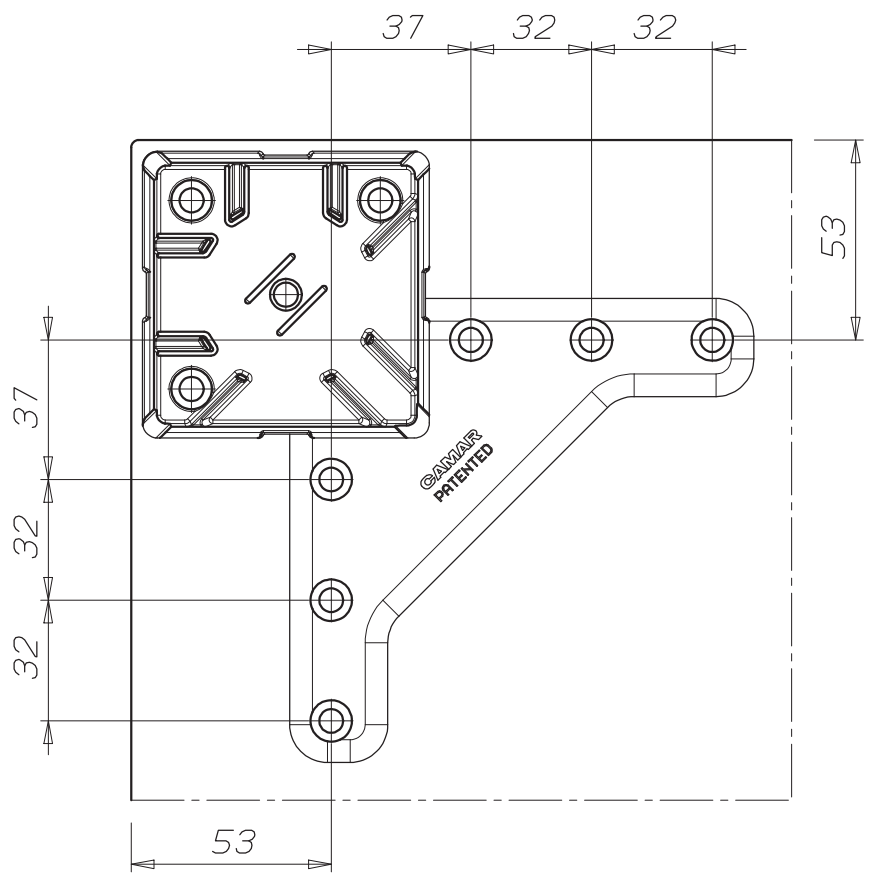
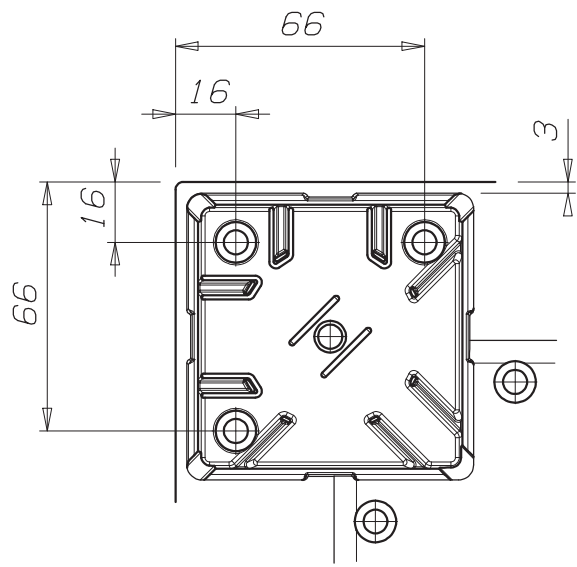
B

B

C

C

D



700

80

10

1