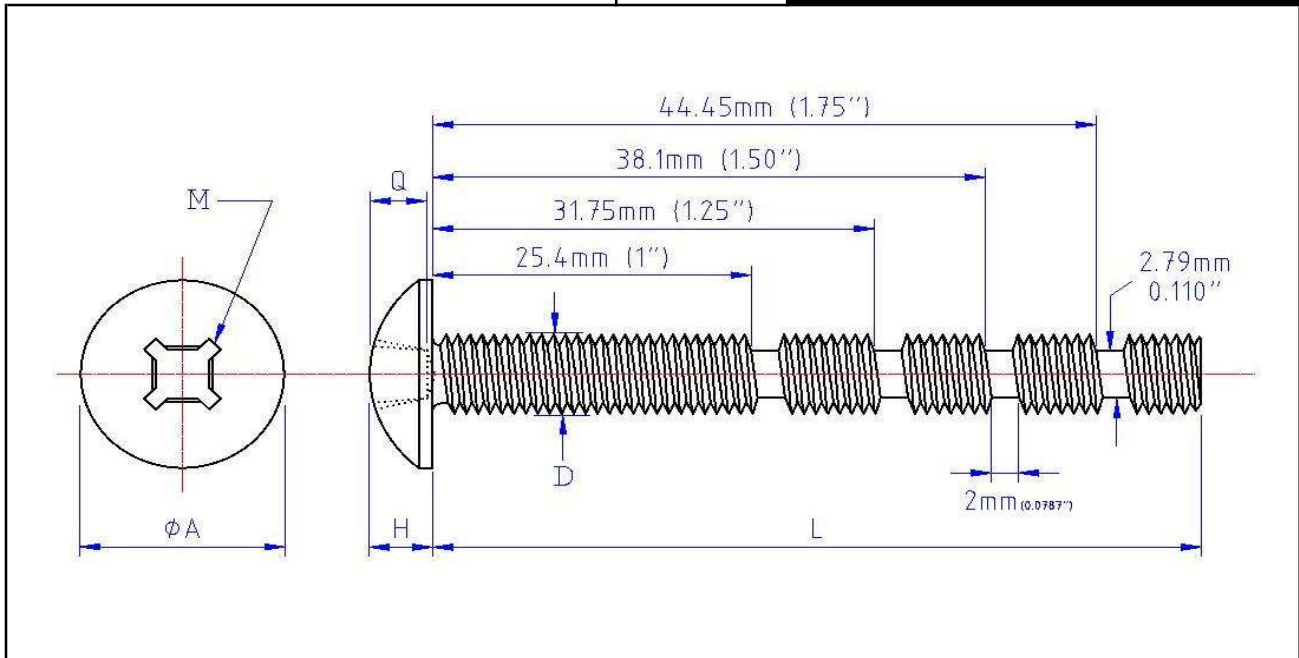




Brand	Root
	LTQMBSM450



unit: MM

L LENGTH TOLERANCE	50 mm	+ 0	- 1.5
---------------------------------	--------------	-----	-------

FULL THREAD

SCREW SIZE	M PUNCH		Q DRIVE DEPTH	A HEAD DIAM.	H HEAD HEIGHT	D THREAD DIAM.	THREAD Pitch MM
M4	# 2	Min	1.52	11.05	2.62	3.83	0.7
		Max	1.90	11.32	3.10	3.97	

Large Truss Head, Quadrex recess, Break-away Machine Screw, Stainless Steel 18-8

Root = Large Truss Quadrex Machine Break-away Stainless Metric

Bulk Label Description:

English: LARGE TRUSS HEAD, QUADREX, BREAK-A-WAY MACHINE SCREW, STAINLESS STEEL

French: VIS MACHINE SECTIONNABLE, TÊTE LARGE TRUSS, QUADREX, ACIER INOXYDABLE

Spanish: TORNILLOS DE MÁQUINA SECCIONABLE, CABEZA TRUSS PLANA, QUADREX, ACERO INOXIDABLE

Date : 13 juillet 2022

Done by : P.B.