



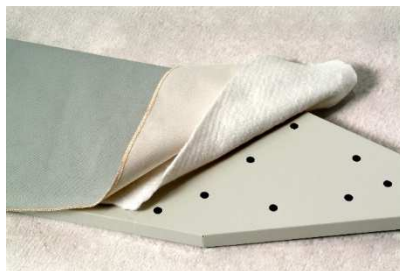
Non-electrical ironing board for recessed mounting.



## Advantages

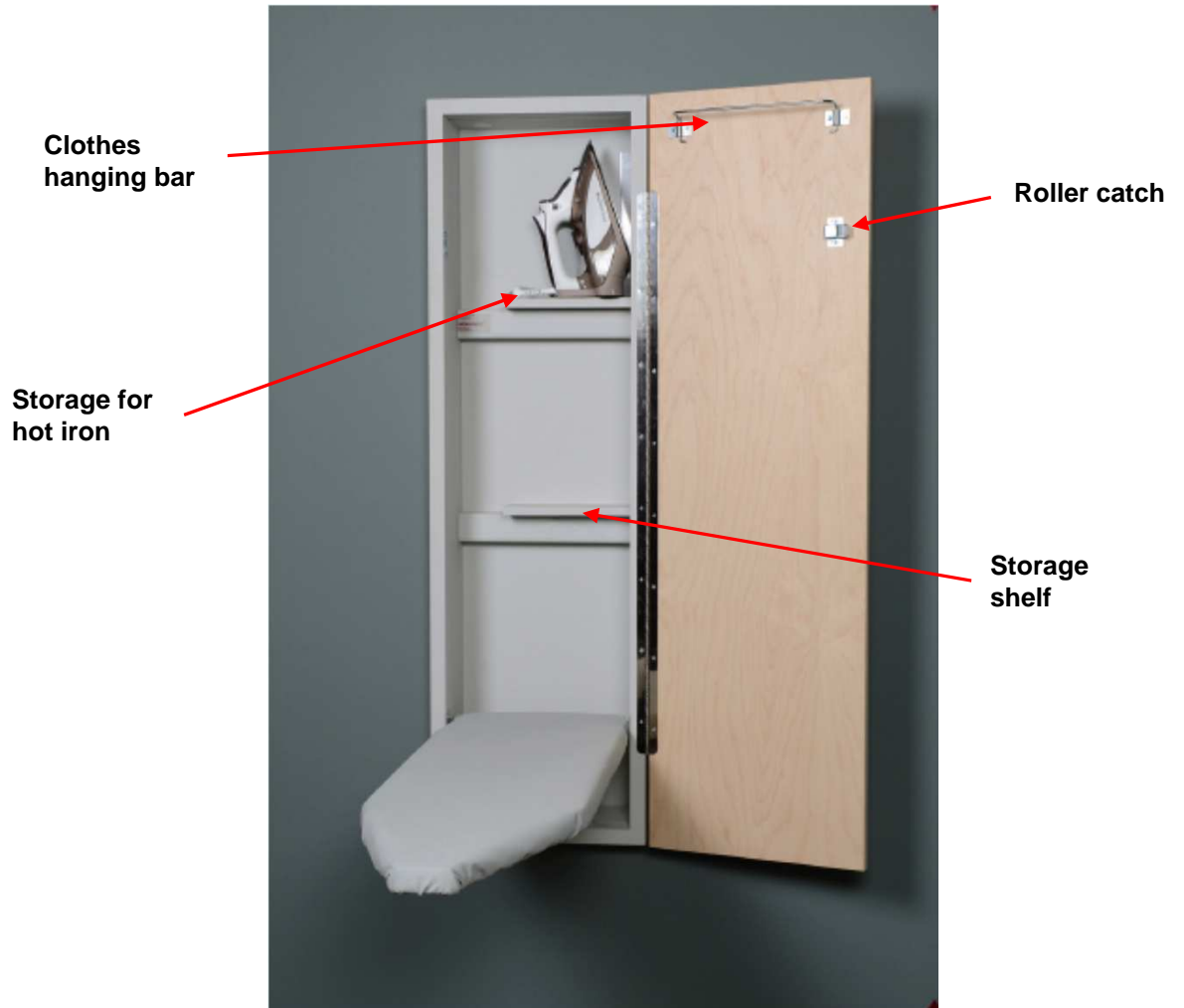
- Designed for recessed mounting, but can also be surface mount. Read mounting instructions consequently.
- Ventilated steel board allowing humidity caused by the iron to dry faster.
- Door mounted on piano hinge.
- Unfinished maple veneer door include a roller catch to keep it closed.
- Locking device to hold the board lift up when opening the door..
- Clothes holding bar included.
- Storage shelf for hot iron
- Storage shelf at the center.

**Suggested product**  
Replacement cover pad  
# 001500



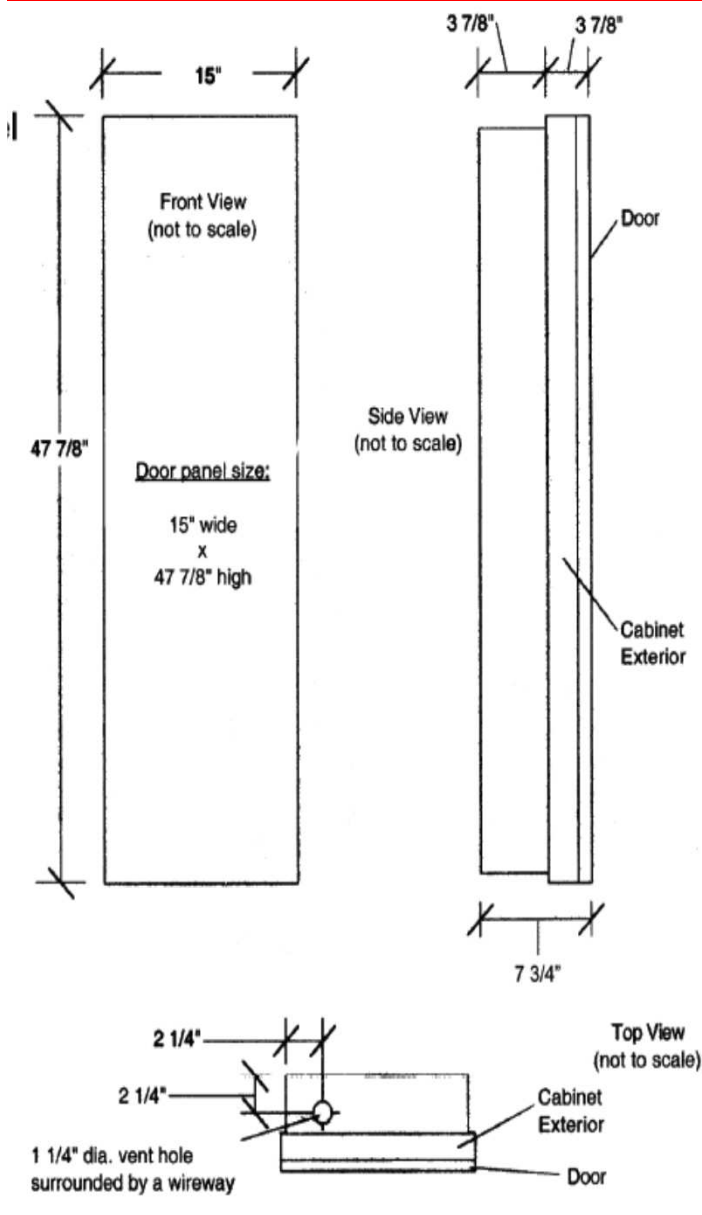
Code	Description	Dimensions W x D x H	Replace
NE42	IRON BOARD N/ELECT.RH MAPLE	15 " x 7 3/4 " x 52 "	NE342 and NE3420203

Technical information



## Technical information

### Old model



### New model

