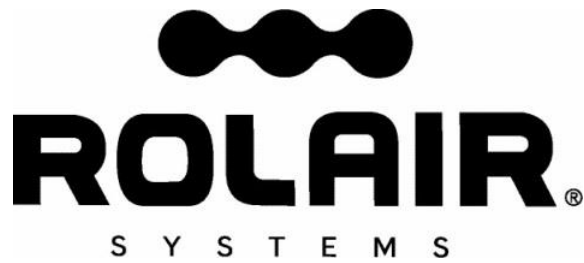


PORTABLE AIR COMPRESSOR OWNER'S MANUAL

MANUEL D'INSTRUCTION FRANÇAIS – PAGE 15
MANUAL DE INSTRUCCIONES ESPAÑOLAS – PÁGINA 29

MODEL: JC10PLUS

SERIAL NUMBER: _____



WARNING 
COMPRESSOR DISCHARGE AIR MAY CONTAIN HYDROCARBONS AND
 OTHER CONTAMINANTS! DO NOT USE DISCHARGE AIR FOR BREATHING!

PARTS

Genuine ROLAIR replacement parts are sold nationwide through a network of authorized dealers and service centers. Please contact the dealership where your air compressor was purchased or our factory Customer Service Department if you need help troubleshooting, obtaining parts, or locating an authorized ROLAIR service representative. You may also use the Sales and Service locator on our website www.rolair.com.

- To order replacement parts:
1. Give compressor model number
 2. Give compressor serial number
 3. Name of part
 4. Part number
 5. Quantity required

RECORD OF PERTINENT INFORMATION

Make a permanent record of the model and serial number of your new air compressor here. You'll save time and expense by including this reference information when requesting service or replacement parts.

Place & Date of Purchase		Volts
Model		HZ
Serial #		HP

With the tank gauge at 0 PSI and air line(s) disconnected, close drain valve(s) and record the amount of time it takes to build tank pressure on the space provided. Periodically test your air compressor against this pump-up time to determine if it is operating correctly. If time test is considerably off, contact your local ROLAIR representative to arrange service.

From 0 to 125 *PSI		
Date	Min	Sec
Factory Spec.	0	55

From 0 to _____ *PSI		
Date	Min	Sec

*Factory top pressure settings vary. Write down the top pressure setting of your machine after performing the initial pump-up time test.

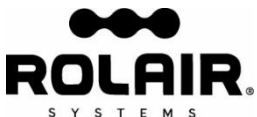


TABLE OF CONTENTS

Introduction and Definitions of Safety Warnings	2
Safety Warnings	3-7
JC10PLUS Overview	7
Identification of System Controls	8-9
Pre-Start Checklist	9-10
Specifications	10
Operation	11
Maintenance	11-12
Troubleshooting	13
Guarantee	14

INTRODUCTION




Congratulations on the purchase of your new ROLAIR air compressor!

With over 50 years experience building ROLAIR air compressors specifically designed for the professional, Associate Engineering Corporation has earned a reputation for providing a product unsurpassed in quality and reliability. We are committed to continuing this tradition by analyzing and adapting to the changing needs and rigorous demands of your industry. You can depend on ROLAIR because they are built to last.

This manual was compiled for the benefit of the operator. Do not use or allow anyone else to use your air compressor until this manual is read and all safety/operating instructions are understood. By reading and following the instructions contained in this manual, you can achieve years of trouble free service from your new air compressor. If you have any additional safety or operating questions after reading this manual, please contact your distributor or our customer service department. Do not remove or paint over any of the warning decals attached to the compressor. If any warning decal is missing or unable to be read, discontinue use and contact us for a free replacement (1-800-310-3573).

Definitions – Safety Warnings

Safety symbols are used throughout this manual to alert you to imminently hazardous and potentially hazardous situations. The following definitions describe the level of severity for each signal word.

-  **DANGER:** Indicates an imminently hazardous situation which, if not avoided, WILL result in death or serious injury.
-  **WARNING:** Indicates a potentially hazardous situation which, if not avoided, COULD result in death or serious injury.
-  **CAUTION:** Indicates a potentially hazardous situation which, if not avoided, MAY result in minor or moderate injury or damage to the air compressor, or other property.

⚠WARNING: Do not start, operate, or service this machine until you read and fully understand owner's manual. Failure to do so could result in death or serious injury. If you have any questions, call us toll free at 1-800-310-3573.

⚠WARNING: This product contains chemicals, including lead, known to the state of California to cause cancer, and birth defects or other reproductive harm. Wash hands after handling.

SAVE THESE INSTRUCTIONS!



⚠DANGER: RISK OF EXPLOSION OR FIRE

WHAT CAN HAPPEN

HOW TO AVOID IT

- Electrical components within the motor and pressure switch will spark. This is normal. If electrical sparks from the compressor come into contact with flammable vapors, they may ignite, causing fire or explosion.

- Always operate the compressor in a well-ventilated area away from any flammable vapors, liquid, paint, gasoline, or any other combustible material.
- Always locate compressor at least 20 ft. (6.1m) away from work area if spraying flammable materials.
- Store flammable materials in a secure location away from the compressor.

- Inadequate ventilation, or restrictions to any of the compressor's ventilation openings, will cause serious overheating and could cause a fire.

- Never place objects against or on top of an air compressor.
- Always operate air compressor at least 18" away from any wall or obstruction.
- Always operate in a clean, dry, and well-ventilated area.

- Unattended compressors with leaks in the unit or air system could start unexpectedly and repeatedly and could result in overheating, fire, and personal injury or property damage.

- Always remain in attendance with the compressor when it is operating.
- Always turn off and unplug the compressor when it is not in use.

- A fire can occur if spilled gas or vapors come into contact with hot engine parts, lit cigarettes, or other sources of ignition.

- Never attempt to fill the gas tank while the engine is hot or running.
- Add fuel outdoors and in a well-ventilated area.
- Do not fill gas tank near lit cigarettes or near other sources of ignition.



⚠DANGER: RISK TO BREATHING (ASPHYXIATION)

WHAT CAN HAPPEN

HOW TO AVOID IT

- Air from your compressor is not safe for breathing and may contain carbon monoxide, toxic vapors, or solid particles. Serious injury or death may occur from inhaling the compressed air from your air compressor.

- Never inhale compressed air directly from the pump, tank, receiver, or breathing device connected to the air compressor.

- Sprayed materials such as paint, stucco, insecticides, solvents, etc. may contain harmful vapors and poisons.

- Operate compressor and perform work only in a well-ventilated area. Read and follow the safety instructions provided on the label or safety data sheets for the materials you are spraying. Always use certified safety equipment designed for your specific application.

- For gas-powered compressors, engine exhaust fumes contain poisonous carbon monoxide which is odorless and colorless. Inhaling those fumes could lead to serious injury or death.

- Operate compressors only in well-ventilated areas. Avoid inhaling engine exhaust fumes, and never run a small gas-powered engine in a closed building or confined area without adequate ventilation.



⚠️ WARNING: RISK OF BURSTING

AIR TANK: Air tanks do not have an infinite life and should be inspected once every year to ensure they are still safe for use. To find your state pressure vessels inspector, look under the Division of Labor and Industries in the government section of a phone book or call us toll-free at 1-800-310-3573 for assistance.

The following conditions could lead to a weakening of the air tank, and result in a violent air tank explosion:

WHAT CAN HAPPEN	HOW TO AVOID IT
<ul style="list-style-type: none"> • Failure to properly and regularly drain condensed water from the air tanks will lead to rust and thinning of the steel air tank can lead to a violent air tank explosion. • Modifications, alterations, or attempted repairs made to the air tank can lead to a violent air tank explosion. 	<ul style="list-style-type: none"> • Drain tanks daily or after every 4 hours of use. If a tank develops a leak, replace it immediately with a new air tank, or new complete compressor. • Never drill into, dent, weld, patch, or modify the air tank, or its attachments in any way. If you are in possession of a tank in which it appears any of those conditions exist or were attempted, discontinue use and replace air tank immediately. • Never attempt to repair a damaged or leaking air tank. Replace with a new tank immediately.
<ul style="list-style-type: none"> • Unauthorized modifications to the safety valve, pressure switch, pilot unloader valve, or any other component which controls air tank pressure can lead to a violent air tank explosion. 	<ul style="list-style-type: none"> • The air compressor is designed to safely operate and withstand specific factory set pressure. Never make adjustments or parts substitutions to components that control air tank pressure or factory set operating pressures. • Do not make alterations to the factory operating pressure settings. • Before starting, and with air tank pressure at zero, pull the ring on the safety valve to make sure it moves freely. • Never operate without a factory approved safety valve.

Attachments & Accessories:

<ul style="list-style-type: none"> • Exceeding the pressure rating of air tools, spray guns, accessories, tires, or any other inflatables can cause them to explode or fly apart. 	<ul style="list-style-type: none"> • Do not use air tools or attachments before reading the owner’s manual to determine the safe maximum pressure rating. • Never exceed the manufacturer’s maximum allowable pressure ratings. • Never use the compressor to inflate small low pressure objects such as children’s toys, balls, etc.
--	--



⚠️ DANGER: RISK OF INJURY OR PROPERTY DAMAGE WHEN TRANSPORTING OR STORING

WHAT CAN HAPPEN	HOW TO AVOID IT
<ul style="list-style-type: none"> • Oil from the compressor can leak or spill and could result in fire or breathing hazard; serious injury or death can result. Oil leaks will damage carpets, paint, or any other surfaces. 	<ul style="list-style-type: none"> • Always keep compressor level and never lay on its side. When transporting, always place compressor on a protective mat to prevent against damage from leaks. Always remove compressor from vehicle immediately upon arrival at your destination. If an oil leak is found, follow all local safety codes for cleanup of hazardous materials.



⚠ WARNING: RISK OF ELECTRICAL SHOCK

WHAT CAN HAPPEN

HOW TO AVOID IT

- **Electrical Grounding:** Failure to provide adequate grounding to the compressor could result in serious injury or death from electrocution.
- Your air compressor is powered by electricity. Like any electrically powered device, if it is not used properly it may cause electric shock.

- Always make certain that the electrical circuit to which the compressor is connected provides proper electrical grounding, correct voltage, and adequate fuse protection. If you are unsure, or have any questions about proper electrical grounding, correct voltage, or adequate fuse protection please call us toll-free at 800-310-3573.
- Never operate the compressor outdoors when it is raining, snowing, or in wet conditions.
- Never let your electrical cord lay in water.
- Never operate the compressor with a damaged power cord, or with protective covers damaged or removed.
- Never touch plug with wet hands.
- Never pull on electric cord to disconnect from the outlet.

- Serious injury or death can occur if repairs are attempted by unauthorized personnel.

- Any electrical repairs or wiring performed on this compressor should only be performed by ROLAIR authorized service personnel and in accordance with all national and local electrical codes.



⚠ WARNING: RISK FROM FLYING OBJECTS

WHAT CAN HAPPEN

HOW TO AVOID IT

- Serious injury and property damage can occur from loose debris being propelled at high speeds from the compressed air stream.

- Always wear certified safety equipment: ANSI Z87.1 eye protection (CAN/CSA Z94.3) with side shields when using the compressor.
- Never direct the air stream, nozzle, or sprayer towards any part of your body, other people, or animals.
- Always turn off the compressor and drain tank pressure completely before attempting maintenance or attaching air hose or tools.



⚠ WARNING: RISK OF HOT SURFACES

WHAT CAN HAPPEN

HOW TO AVOID IT

- Serious burn injuries can result from touching exposed metal parts such as the engine or motor, pump, or any part of the copper/braided discharge lines and components. These parts will become hot during operation and stay hot for an extended period of time even after the compressor is shut down.

- Never touch any of the exposed metal parts during operation and for an extended period of time after shut down.
- Do not reach around shrouds or attempt any maintenance until the unit has been allowed to completely cool.



⚠ WARNING: RISK FROM MOVING PARTS

WHAT CAN HAPPEN

HOW TO AVOID IT

- | | |
|--|--|
| <ul style="list-style-type: none"> • Serious injury or death can occur if moving parts such as belts, flywheels, pulleys, or fans come into contact with you or your clothing. | <ul style="list-style-type: none"> • Prior to operation, always make sure all protective guards and covers are in good condition, and never operate the compressor if any guard or cover has been removed or damaged. • Always keep your hair, jewelry, clothing, and gloves away from moving parts as they can be caught. • It is common for air vents to cover moving parts, so they should be avoided as well. |
| <ul style="list-style-type: none"> • An electric air compressor can restart at any time when plugged in, and an unexpected startup can result in serious injury, death, or property damage. | <ul style="list-style-type: none"> • Always unplug the compressor when not in use. • Always drain air tank pressure completely before attempting any repairs or maintenance. • Never allow children or adolescents to operate the air compressor. |
| <ul style="list-style-type: none"> • Attempting to operate the compressor with any damaged or missing parts, protective guards, shrouds, or covers will expose you to moving parts and can result in serious injury or death. | <ul style="list-style-type: none"> • Any repairs to the air compressor must only be made by ROLAIR factory authorized personnel. |



⚠ WARNING: RISK FROM LIFTING

WHAT CAN HAPPEN

HOW TO AVOID IT

- | | |
|--|--|
| <ul style="list-style-type: none"> • Serious injury can result from attempting to lift an object that is too heavy. | <ul style="list-style-type: none"> • Always obtain assistance from others before attempting to lift any object that is too heavy for you. |
|--|--|



⚠ WARNING: RISK OF FALLING

WHAT CAN HAPPEN

HOW TO AVOID IT

- | | |
|---|--|
| <ul style="list-style-type: none"> • A compressor may vibrate and move during the course of normal operation resulting in a fall from a table, workbench, roof, or other platform causing damage to the compressor, property damage, and could result in serious injury or death to anyone nearby. | <ul style="list-style-type: none"> • Always operate air compressor in a stable and secure position to prevent accidental movement of the unit. Never operate compressor on a roof or other elevated position. Use air hose to reach high locations. |
|---|--|



⚠ WARNING: RISK FROM NOISE

WHAT CAN HAPPEN

HOW TO AVOID IT

- | | |
|--|--|
| <ul style="list-style-type: none"> • Under some conditions and duration of use, noise from this product may contribute to hearing loss. | <ul style="list-style-type: none"> • Always wear certified safety equipment: ANSI S12.6 (S3.19) hearing protection. |
|--|--|



⚠ WARNING: RISK OF UNSAFE OPERATION

WHAT CAN HAPPEN

- Serious injury or death can occur to you or others if air compressor is used in an unsafe manner.

HOW TO AVOID IT

- Review and understand all instructions in your owner’s manual.
- Know how to stop the air compressor at all times.
- Do not operate until you are thoroughly familiar with all of the controls.
- Do not operate the compressor if you are fatigued, under the influence of alcohol or drugs, or in any other state which might impair judgment.
- Stay alert while operating the compressor and pay close attention to the task at hand.



⚠ CAUTION: RISK OF DAMAGE TO AIR COMPRESSOR OR PROPERTY

WHAT CAN HAPPEN

- Failure to transport or operate the compressor properly may result in major repair expenses.

HOW TO AVOID IT

- Check oil levels daily and maintain proper oil levels.
- Always operate compressor in a secure and level position.
- Do not operate without an air filter or in a corrosive environment.

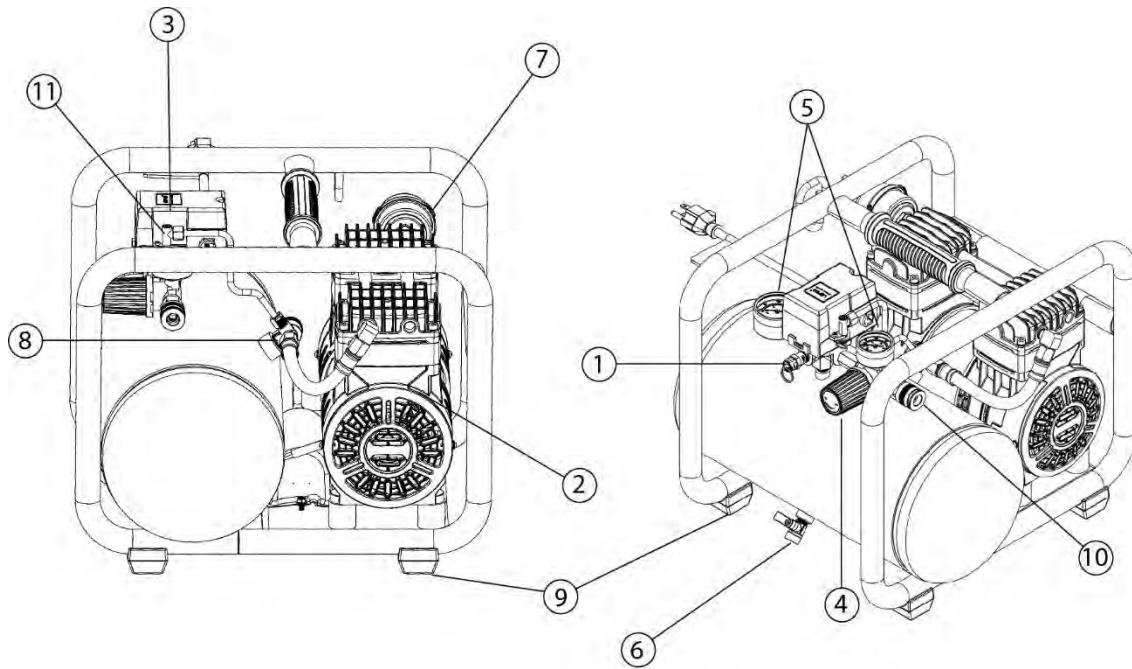
JC10PLUS OVERVIEW & IMPORTANT INSTRUCTIONS

The “JC10” series air compressors are low speed, oil-free direct drives designed to be extremely quiet and provide years of trouble-free service. Super thin reed valves play a major role in the quiet operation but are susceptible to damage from the ingestion of even the smallest piece of foreign material. Therefore, it is vitally important to maintain a structurally sound intake canister along with a clean and solid filter element. Replace entire intake assembly if canister breaks loose from the threaded nipple, and make a habit of checking the pleated intake element on a regular basis to make sure it remains free of holes and tears.

The next generation JC10PLUS is redesigned with a cord wrap and built with longer cylinders that could potentially be flipped to double the service life. However, this series is not rated for 100% or continuous duty, and performs best when given as much rest as run time. If, in order to keep up, you find your compressor consistently running more than five out of every ten minutes then you’ll likely need to shore up some air hose leaks or use a bigger air compressor for the job.

The motor also has automatic thermal overload protection and can restart unexpectedly and repeatedly if an overload occurs. For example, operation above the rated duty cycle due to air hose leaks. Therefore, never leave the air compressor plugged in unattended. If an overload occurs unplug and allow the compressor to cool for several hours before attempting to restart.

SYSTEM CONTROLS



1. SAFETY-RELIEF VALVE Every ROLAIR air compressor is equipped with a safety-relief valve which is designed to discharge tank pressure at a predetermined setting when a systems failure occurs. Check the safety valve daily by pulling on the ring only after the tank pressure has been completely drained. The spring loaded valve should move freely within the safety valve body. An inoperable safety valve could allow an excessive amount of tank pressure to build causing the air tank to violently rupture or explode.



Do not tamper with or attempt to eliminate the safety relief valve.

2. AUTOMATIC INTERNAL OVERLOAD PROTECTION The JC series motor is built with automatic overload protection. When an electrical deficiency occurs or the compressor is operated above its rated duty cycle, the thermal protector will interrupt the power supply and automatically shut down the motor to protect it. When the motor sufficiently cools, it will attempt to restart automatically. If the electrical deficiency that caused the overload to trip is not corrected, the motor will continue to overheat and restart which may lead to a complete motor failure. Therefore, **NEVER LEAVE THE AIR COMPRESSOR PLUGGED IN UNATTENDED.** Always re-evaluate the power source and gauge/length of extension cord being used whenever the automatic internal thermal protector causes the motor to stop running. (Refer to the chart on page 10.)

3. PRESSURE SWITCH Your air compressor operates by the use of a pressure switch. Always make sure the lever is in the "Off" position before plugging in the power cord. By moving the lever to the "On/Auto" position, the compressor will start and stop automatically within the settings of the pressure switch which are typically 95 - 125 PSI. Do not attempt to stop the compressor by unplugging the power cord. To stop, simply move the lever to the "Off" position.

4. REGULATOR – WORKING PRESSURE To adjust the output/line pressure, simply rotate the regulator adjustment knob clockwise to increase working pressure or counterclockwise to decrease. Never exceed the manufacturer's maximum allowable pressure rating of the tool being used or item being inflated. Always relieve pressure from coupler by rotating adjustment knob completely counter-clockwise before removing air hose.

5. PRESSURE GAUGE(S) Typically, most compressors are designed with a gauge to measure tank or storage pressure and another gauge that indicates output or working pressure.

SYSTEM CONTROLS (continued)

6. **DRAIN VALVE(S)** One or more drain valves are installed to allow moisture to be drained on a daily basis from the compressor storage tank(s). Open drains carefully and slowly to prevent scale, rust, or debris from becoming expelled at a high rate of speed.
7. **AIR INTAKE FILTER** An air intake filter is installed to prevent foreign material from entering the compressor pump. Check intake element on a regular basis and either clean or replace as needed. Warm soapy water or low compressed air may be used to clean the element.
8. **CHECK VALVE** Every ROLAIR air compressor is built with a check valve to seal off and maintain tank pressure after the top end pressure setting of pilot valve or pressure switch is reached. The check valve works in conjunction with the pressure switch relief valve to provide a *loadless* start for the compressor system. A quick burst of air escaping from the relief valve after the machine reaches top end indicates the check valve is working properly. If the compressor has a mysterious leak after stopping that cannot be traced elsewhere, the check valve may require servicing/replacing. Always drain tank pressure completely before attempting to remove or service any component.
9. **VIBRATION DAMPENER(S)** The rubber pads installed beneath every portable ROLAIR tank assembly are very important to the proper operation of the air compressor. They provide protection from vibration that left unchecked could cause damage to many system components.
10. **QUICK DISCONNECT** A universal or 3-way quick disconnect is installed on your JC series air compressor. Simply push a 1/4" male plug into coupler to snap hose fitting into coupler. Always relieve pressure from coupler before installing or removing hose. See instructions for regulator (#4 above). Pull back on collar to remove air hose after pressure is relieved.
11. **PRESSURE SWITCH RELIEF VALVE** A normally closed relief valve is installed on the pressure switch to provide the JC10PLUS motor with a "loadless" start. When the air compressor stops automatically, or manually using the on/off lever, the pin for the relief valve is pushed open by a paddle attached to the moveable contacts to dump off or purge head and line pressure. A noticeable burst of air must be released after the air compressor stops in order for the motor to restart at the low pressure setting of 95 PSI. If air leaks continuously from the relief valve after the compressor stops there is a problem with the proper operation of the one way tank check valve. See System Controls (Item #8). If no air is purged after the compressor stops the proper alignment of the relief valve pin and contact paddle has been compromised.

PRE-START CHECKLIST

Read the owner's manual thoroughly. Make sure that you completely understand all of the safety warnings, system controls and instructions provided before attempting to operate this air compressor. Every effort has been made to provide you with the information needed to obtain many years of reliable and trouble-free service out of your new air compressor. It is your responsibility to operate the air compressor properly. To obtain the longest possible service life from your air compressor you must always keep the following instructions in mind.

1. **INSTALL AIR INTAKE FILTER**

Remove metal air cleaner assembly from the bag attached to the compressor with owner's manual. Thread intake filter into open port on pump cylinder head. Reference #7 on the System Controls drawing (page 8) or review schematic and/or picture on box for proper location to install air cleaner. A nylon tube is inserted into the filter to help make the JC series air compressors even quieter! Always make sure the tube end inserted in the filter is cut at an angle to prevent a restriction of the intake air flow.

2. **OPERATE IN A CLEAN, DRY AND WELL VENTILATED AREA**

Allow at least 18" behind the belt guard for proper cooling of pump from flywheel blast. Do not operate in the rain or in areas of standing water. Never operate in an area where other gases, fumes or vapors are present which may become explosive when compressed. Do not operate compressor in an enclosed area or with any of the ventilation openings covered.

PRE-START CHECKLIST (continued)

3. INSPECT/CLEAN/CHANGE INTAKE ELEMENTS ON A REGULAR BASIS

The ingestion of dirt into the pump is the primary cause of premature wear. Pay special attention to the intake filter. Check intake element daily.

4. USE LONGER PROPERLY SIZED AIR HOSE RATHER THAN EXTENSION CORDS

If an extension cord must be used, please refer to the chart on the following page for the proper gauge and maximum length that can be used. The use of inadequately sized air hose will also lead to frictional pressure drops that could affect the proper performance of your air tools.

ELECTRIC EXTENSION CORD TABLE

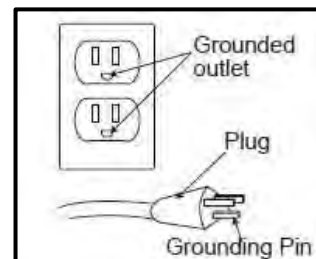
	Minimum Wire Size	
Extension Cord Length	Motor 1/2 and 3/4 HP	Motor 1, 1-1/2, and 2 HP
Up to 25 ft.	14 Ga.	12 Ga.
25 – 50 ft.	12 Ga.	10 Ga.
50 – 100 ft.	10 Ga.	8 Ga.

Power Cord

A/B Plug Type

60 Hz, 120 V

This product is for use on a 120-volt circuit and should be grounded. A cord with a grounding plug as illustrated must be used. No adapter should be used with this product.



5. DO NOT USE A GENERATOR AS THE POWER SOURCE

Air compressors use inductive motors that require 3-5 times the full-load amp draw to properly start. Most generators will not provide the wattage needed to properly start this type of electric motor.

6. CHECK TENSION OF BOLTS, BELTS, AND HARDWARE ON A REGULAR BASIS

Operation of any equipment with loose bolts and/or fittings will lead to excessive vibration and the premature failure of the compressor system control components.

7. MAINTAIN RUBBER VIBRATION PADS

Excessive vibration is a major cause of premature compressor failure. Always maintain the rubber vibration pads located beneath tank assembly. Operation without them will void your warranty.

8. DRAIN MOISTURE FROM AIR TANK DAILY

Water is a natural byproduct of compressed air. Drain air tank(s) after each use to combat internal tank corrosion. Keep drain valve(s) closed if storing compressor for any length of time.

SPECIFICATIONS

	JC10PLUS		JC10PLUS
Horsepower	1.0	Tank Capacity	2.5 Gallon
Voltage	120 V	Pump-Up Time (0-125 PSI)	:55 seconds
Hertz	60 hZ	Recovery Time (95-125 PSI)	:14 seconds
Motor RPM	1700	CFM Displacement	5.3
Stage(s)	Single	CFM Free Air @ 90 PSI	2.4
Amperage	7.5	Dimensions (LxWxH – in.)	16.34"x16.34"x13.78"
Thermal Protection	Automatic	Weight (lb.)	45
Factory Settings	95 – 125 PSI	Noise Level (dBA)	60

OPERATION

WARNING – Your safety and the wellbeing of others during the operation of every ROLAIR compressor is our main concern. Do not operate or permit anyone else to operate your air compressor until the information contained in this manual is read and completely understood. Please contact your distributor or our customer service department if you have any questions on the proper use of your air compressor.

1. Wear eye protection.
2. Inspect machine to make sure bolts are tight, vibration pads are secure, power cord is solid, compression fittings are tight, and the air intake filter is clean, solid and tightly installed.
3. Position compressor in a clean, dry location with plenty of ventilation and away from volatile vapors and gases. Never start machine with any of the ventilation openings covered.
4. Slowly open tank drain to remove any condensate that has accumulated. Keep drain open for 20 – 30 seconds after starting compressor to “warm-up” motor and pump.
5. Make sure pressure switch lever is in the “Off” position before plugging machine into a properly grounded outlet. Never unplug machine until moving lever to “Off” position.
6. Move lever to “On” position and close tank drain to build tank pressure after allowing machine to warm up for a few seconds with the drain open.
7. Attach air hose only after rotating regulator adjustment knob counter-clockwise to relieve any pressure that has built up.
8. Rotate regulator adjustment knob clockwise until desired working pressure is reached.
9. When task is complete, rotate regulator adjustment knob counter-clockwise to relieve pressure prior to removing air hose. Open drain slowly to drain moisture and prepare for next start. Rotate pressure switch lever to “Off” position before unplugging.
10. Store compressor in a warm/dry location and perform maintenance as indicated in manual.

NOTE: DO NOT SUBJECT COMPRESSOR TO CONTINUOUS USE. The JC series air compressors are rated for 70% duty-cycle. If operated for more than forty minutes per hour, the motor will overheat and cause the internal overload to shut down the compressor. The overload will also allow the motor to automatically restart after the motor has sufficiently cooled, which can be unexpected. Therefore, **NEVER** leave the air compressor plugged in unattended.

HIGH-ALTITUDE OPERATION:

Due to a decrease in atmospheric pressure air compressor pumps produce less CFM at higher elevations. As a rule of thumb the output will decrease approximately three percent per 1000 feet of elevation. Also, because air at higher elevations is less dense and does not cool as well, electric motors cannot be subjected to the full nameplate service factor amp rating and may need to be upgraded to avoid repeated overheating.

Direct drive or hand-carry compressors built with cold-start valves may need to be modified when operated in higher elevations. Contact our factory Customer Service Department if your normally reliable air compressor fails to operate correctly at higher elevations.

MAINTENANCE

Your new air compressor represents the finest engineering and construction available. Even the best machinery requires periodic maintenance. Please stick to the maintenance schedule and consider the suggestions that follow to keep your compressor in peak condition.

NOTE: Always unplug or shut down your compressor and drain the air tanks completely before attempting any type of maintenance. Wait for compressor to cool before servicing.

MAINTENANCE HINTS:

- 1) Use a soap/water solution to check for air leaks.
- 2) Never clean filters with a flammable solvent.
- 3) Retorque head bolts only after pump has cooled.
- 4) Never weld on air tank(s).
- 5) Use heat to loosen Loctite seal on drains and other fittings before attempting to remove.

MAINTENANCE (continued)

MAINTENANCE SCHEDULE

Recommendation	Daily	Weekly	Monthly	Quarterly	Annually
Drain Moisture from Tank(s)	X				
Inspect Air Filter(s)	X				
Check for Unusual Noise or Vibration	X				
Check for Air Leaks	X				
Clean Exterior of Air Compressor		X			
Check Condition of Vibration Pads		X			
Tighten/Retorque Bolts		X			
Check Operation of Safety Valve		X			
Clean/Change Air Filter			X		
Perform Pump Up Time Test			X		
Check Operation of System Controls				X	
Check Air Tanks for Dents/Leaks				X	
Tank Inspection by Certified Inspector					X

MAINTENANCE RECORD

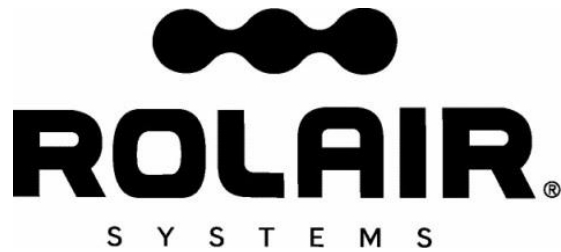
Routine maintenance is your responsibility and necessary to maximize the life of your new air compressor. Please record your maintenance activities in the chart below and take this information with you if warranty service is required.

Date	Hours Used	Perform Pump-Up Time Test	Inspect Integrity of Intake Canister	Check Intake Element	Use Soap/Water Solution to Check for Leaks	Miscellaneous Tighten Bolts, Replace Vibration Pads, Etc.

TROUBLESHOOTING

WARNING - Make sure you completely understand all of the safety warnings and operation of each system control component before attempting any maintenance or repair. Always drain the tank pressure completely, make sure the power cord is unplugged, and unit has time to cool before performing any maintenance or service operations.

PROBLEM	CAUSE	SOLUTION
Motor makes no noise when power is applied	Tank pressure is full	Drain below 95 PSI to restart
	Automatic overload has stopped compressor due to overheating	Unplug, drain tank pressure and allow to cool before restarting. Evaluate power supply and extension cord used
Motor hums but does not start/run	Motor windings are fried	Take in for service. Evaluate power supply and duty cycle
	Capacitor has failed	Replace and retest
Motor runs but pump will not reach top pressure setting of 125 PSI	Excessive external leaks at tank drain, regulator, hoses, etc.	Use soap/water solution to identify and correct leaks
	Broken valve, blown gasket or other internal issue	Inspect valve plates or take in for service
Unit does not maintain tank pressure after stopping at 125 PSI and leaks continuously from pressure switch relief valve	Disc and spring inside check valve are not sealing	Drain tank pressure completely. Unthread check valve inspection cap and clean debris from disc
Unit runs great for close to an hour before suddenly stopping	Excessive external leaks on unit or air hose/fittings	Use soap/water solution to identify and correct leaks
	Unit is undersized or is being worked above 70% duty cycle	Use larger air compressor for this application
Pump builds tank pressure above 125 PSI, causing safety valve to blow/pop off	Pressure switch contacts are stuck together	Unplug, inspect contacts and replace pressure switch if necessary
	Pressure switch port is plugged with ice or debris	Bring inside to unthaw drain water from tank and restart or take in for service
Compressor is louder than normal and slow to build pressure	Broken valve, bearing failure or debris inside pump	Inspect valve plates and piston tops or take in for service



Guarantee

Associate Engineering Corporation warrants that all ROLAIR compressors will be free of defects in material and workmanship for a period of twelve months from the date of initial retail purchase, or eighteen months from the date of manufacture, whichever may occur first.

Should any failure to conform to this warranty be reported to the company within said period, the company shall, upon purchaser shipping the compressor to our plant transportation prepaid, correct such nonconformity by suitable repair or, at its option, furnish a replacement part F.O.B. our plant.

Associate Engineering Corporation shall not be liable for any unauthorized repairs, replacements, adjustments to the compressors, or the costs of labor performed by the purchaser.

This warranty is expressly in lieu of all other warranties expressed, implied or statutory (including, but not limited to, warranties of merchantability and fitness for purpose) and of any other obligations, and/or liabilities on the part of Associate Engineering Corporation. Associate Engineering Corporation neither assumes nor authorizes any other person to assume for it any other obligations or liability in connection with or with respect to any compressor.

Associate Engineering Corporation shall in no event be liable neither for any consequential, incidental or special damages nor for the improper selection of any compressor for a particular application.

Quality

Associate Engineering Corporation is devoted to continual quality control and thorough research of the products we build. It is our creed to give you, the user, all of the experience and engineering available in the production of every piece of equipment we produce.

Our line covers the complete needs of today's varied air requirements. Rely on ROLAIR for all the newest and finest features that are available for the modern compressor.



AVERTISSEMENT 

L'AIR DE REFOULEMENT DU COMPRESSEUR POURRA CONTENIR DES HYDROCARBURES ET AUTRES CONTAMINANTS! L'AIR DE REFOULEMENT NE DOIT PAS ÊTRE RESPIRÉ!

PIÈCES

Les pièces de rechange d'origine ROLAIR sont vendues à l'échelle du pays par l'intermédiaire d'un réseau de concessionnaires et de centres de services agréés. Veuillez communiquer avec le concessionnaire où le compresseur d'air a été acheté ou le Service à la clientèle de l'usine pour de l'aide en matière de dépannage, obtenir des pièces ou localiser un représentant du service autorisé par ROLAIR.

Pour commander des pièces de rechange :

1. Donner le numéro de modèle du compresseur
2. Donner le numéro de série du compresseur
3. Nom de la pièce
4. Numéro de pièce
5. Quantité requise

DOSSIER D'INFORMATION PERTINENTE

Consigner ici le modèle et le numéro de série de votre nouveau compresseur d'air. Vous économiserez temps et argent en incluant cette information de référence au moment d'une demande de révision ou de pièces de rechange.

Lieu et date de l'achat		Volts
Modèle		Hz
N° de série		HP

Après vous être assuré que la vanne d'arrêt sur la ou les conduite(s) extérieure(s) est fermée et la pression dans le réservoir est à 0 lb/po2, remplissez ce dernier jusqu'à la pression requise et consignez dans l'espace prévu ci-dessous le temps nécessaire pour que la pression s'accumule dans le réservoir. Vérifiez périodiquement le compresseur en fonction de ce temps de remplissage pour déterminer s'il fonctionne correctement. Si le temps de remplissage varie considérablement, communiquer avec le représentant local ROLAIR pour planifier une révision.

De 0 à 125*lb/po2		
Date	min	s
Factory Spec.	0	55

De 0 à ____*lb/po2		
Date	min	s

*Les paramètres d'usine en matière de haute pression peuvent varier. Inscrivez la haute pression de votre machine après avoir effectué le test initial du temps d'accroissement de la pression d'air.

TABLE DES MATIÈRES

Introduction et définitions des avertissements de sécurité	16
Consignes de sécurité	17-21
Aperçu et consignes importantes sur la série JC10PLUS	21
Identification des commandes du système	22-23
Fiche de contrôle pour le prédémarrage	23-24
Spécifications	24
Fonctionnement	25
Maintenance	25-26
Dépannage	27
Garantie	28

INTRODUCTION

Merci d'avoir acheté ce nouveau compresseur ROLAIR!

Avec plus de 50 ans d'expérience en fabrication de compresseurs ROLAIR spécialement conçus pour les professionnels, Associate Engineering Corporation s'est acquise la réputation de fournir un produit de grande qualité et fiabilité. Nous nous sommes engagés à poursuivre cette tradition en analysant les besoins changeants et les exigences rigoureuses de votre secteur d'activité et en nous y adaptant. Vous pouvez compter sur ROLAIR parce que nos appareils sont construits pour durer.

Ce manuel a été élaboré à l'intention de l'opérateur. Ne pas utiliser ou permettre à quiconque d'utiliser le compresseur d'air jusqu'à ce que ce manuel soit lu et les consignes de sécurité/fonctionnement comprises. En lisant et en suivant les consignes contenues dans ce manuel, le nouveau compresseur d'air offrira des années de service sans problème. Pour des questions supplémentaires au sujet de la sécurité et du fonctionnement, veuillez communiquer avec le distributeur ou notre service à la clientèle. Ne pas enlever ou peindre les étiquettes d'avertissement apposées au compresseur. Si une étiquette de danger manque ou est illisible, n'utilisez plus le compresseur et demandez-nous une étiquette de rechange gratuite (1-800-310-3573).

Définitions – avertissements de sécurité

Des symboles de sécurité sont utilisés dans ce manuel pour vous signaler les situations de danger réel ou potentiel. Les définitions qui suivent décrivent le niveau de gravité de chaque mot d'avertissement.



DANGER : Indique une situation éminemment dangereuse qui, si elle n'est pas évitée, ENTRAÎNERA la mort ou une blessure grave.



AVERTISSEMENT : Indique une situation potentiellement dangereuse qui, si elle n'est pas évitée, POURRAIT entraîner la mort ou une blessure grave.



MISE EN GARDE : Indique une situation de danger potentiel qui, si on ne l'évite pas, PEUT entraîner des blessures légères ou moyennes ou des dégâts matériels au compresseur d'air ou autre.

⚠️AVERTISSEMENT: Ne faites pas démarrer, n'utilisez ni n'effectuez aucun entretien sur cette machine sans avoir d'abord lu et bien compris son mode d'emploi. Sinon vous pourriez vous exposer à des blessures corporelles ou des dégâts matériels. Pour toute question, appelez-nous sans frais au 1-800-310-3573.

⚠️AVERTISSEMENT: Ce produit contient des produits chimiques identifiés par l'État de la Californie comme causes de cancer, de malformations congénitales et d'autres troubles de l'appareil reproducteur. Laver les mains après avoir manipulé ce produit.

CONSERVEZ CES INSTRUCTIONS!



⚠️DANGER: RISQUE D'EXPLOSION OU D'INCENDIE

CE QUI PEUT ARRIVER

COMMENT L'ÉVITER

- Des composants électriques dans le moteur et dans le pressostat vont produire des étincelles. Ceci est normal. Si des étincelles électriques du compresseur entrent en contact avec des vapeurs inflammables, elles peuvent s'enflammer et causer un incendie ou une explosion.

- Utilisez toujours le compresseur dans un endroit bien aéré, loin de toutes vapeurs, liquides, peinture, essence inflammables ou tout autre matériau combustible.
- Toujours placer le compresseur à au moins 6 m (20 pi) de l'aire de travail en cas de pulvérisation de matières inflammables.
- Entreposez les matières inflammables dans un endroit sûr, loin du compresseur.

- Une aération inadéquate ou une obstruction des ouvertures de ventilation des compresseurs provoquera une surchauffe importante voire un incendie.

- Ne placez jamais d'objets sur ou contre un compresseur d'air.
- Faites toujours fonctionner le compresseur d'air à une distance d'au moins 45 cm (18 po) d'un mur ou d'un autre obstacle.
- Veillez à ce que l'endroit soit toujours propre, sec et bien aéré.

- Certains compresseurs présentant des fuites au niveau de l'unité ou du système et laissés sans surveillance pourraient démarrer à l'improviste et de manière répétée, ce qui pourrait provoquer une surchauffe, un incendie, ainsi que des blessures corporelles ou des dégâts matériels.

- Surveillez toujours le compresseur lorsqu'il fonctionne.
- Éteignez ou débranchez toujours le compresseur lorsqu'il n'est pas utilisé.

- Il y a risque d'incendie si des vapeurs ou des gaz déversés entrent en contact avec des parties brûlantes du moteur, des cigarettes allumées ou d'autres sources de feu.

- Ne jamais tenter de remplir le réservoir d'essence lorsque le moteur est chaud ou en marche.
- Ajoutez le carburant à l'extérieur dans un endroit bien aéré.
- Ne pas remplir le réservoir d'essence près de cigarettes allumées ou d'autres sources d'inflammation.



⚠️DANGER: RISQUES POUR LA RESPIRATION (ASPHYXIE)

CE QUI PEUT ARRIVER

COMMENT L'ÉVITER

- L'air provenant du compresseur n'est pas sain à respirer et peut contenir du monoxyde de carbone, des vapeurs toxiques ou des particules solides. L'inhalation d'air comprimé provenant du compresseur d'air peut entraîner des blessures graves ou mortelles.

- N'inhalez jamais d'air comprimé provenant directement de la pompe, du réservoir, du récepteur ni d'un appareil de respiration raccordé au compresseur d'air.

- Les substances pulvérisées tels que la peinture, le stuc, les insecticides, solvants, etc. peuvent contenir des vapeurs nocives et des poisons.

- Ne faites fonctionner le compresseur et ne travaillez que dans un endroit bien aéré. Lisez et respectez les consignes de sécurité indiquées sur l'étiquette ou sur les fiches signalétiques des substances que vous pulvérisez. Utilisez toujours du matériel de protection agréé conçu pour votre application spécifique.

- En cas de compresseurs au gaz - les gaz d'échappement du moteur contiennent du monoxyde de carbone inodore et incolore. L'inhalation de ces vapeurs peut causer des blessures graves ou mortelles.

- Ne faites fonctionner les compresseurs que dans des endroits bien aérés. Éviter d'inhaler les fumées d'échappement du moteur et ne jamais faire fonctionner un petit moteur à essence dans un espace fermé ou confiné sans une ventilation adéquate.



⚠️ AVERTISSEMENT: RISQUE D'ÉCLATEMENT

LE RÉSERVOIR D'AIR: Les réservoirs d'air n'ont pas une durée illimitée et doivent être inspectés tous les ans afin de garantir que leur utilisation est sûre. Pour trouver un inspecteur d'appareils sous pression, consultez l'annuaire à la rubrique gouvernement, section Division du Travail et des Industries, ou appelez-nous gratuitement au 1-800-310-3573 pour en savoir plus.

Les conditions suivantes peuvent fragiliser le réservoir d'air et provoquer une violente explosion:

CE QUI PEUT ARRIVER	COMMENT L'ÉVITER
<ul style="list-style-type: none"> Le fait de ne pas éliminer la condensation d'eau des réservoirs d'air de manière appropriée et périodique peut provoquer de la rouille et l'amincissement de leur paroi en acier, ce qui présenterait le risque d'une violente explosion du réservoir. Toute modification, altération ou tentative de réparer le réservoir d'air peut provoquer une violente explosion du réservoir d'air. 	<ul style="list-style-type: none"> Vidangez le réservoir tous les jours ou toutes les 4 heures d'utilisation. En cas de fuite, remplacez immédiatement l'ancien réservoir par un neuf ou par un nouveau compresseur intégral. Ne percez, cabossez, soudez, rapiéciez ni ne modifiez jamais le réservoir d'air ou ses pièces de quelque façon. Si votre réservoir semble présenter l'une de ces conditions ou si l'on a tenté de le modifier de quelque manière, cessez de l'utiliser et remplacez-le immédiatement. Ne tentez jamais de réparer un réservoir d'air abîmé ou qui fuit. Remplacez-le immédiatement par un réservoir neuf.
<ul style="list-style-type: none"> Toute modification non autorisée de la soupape de sécurité, du pressostat, de la soupape directrice de décompression ou de tout autre élément contrôlant la pression du réservoir d'air peut provoquer une violente explosion du réservoir d'air. 	<ul style="list-style-type: none"> Le compresseur d'air est conçu pour fonctionner en toute sécurité et pour résister à la pression spécifique réglée en usine. Ne réajustez et ne substituez jamais aucune pièce sur des composants qui contrôlent la pression du réservoir d'air ou les pressions de service réglées en usine. Ne pas transformer les paramètres de la pression de service établis en usine. Avant de commencer et la pression du réservoir d'air ayant été mise à zéro, tirez l'anneau sur la soupape de sécurité pour vous assurer qu'il se déplace librement. Ne jamais faire fonctionner sans une soupape de sûreté approuvée par l'usine.

Pièces et accessoires:

<ul style="list-style-type: none"> Le dépassement de la capacité de pression d'outils pneumatiques, de pistolets de pulvérisation, d'accessoires, de pneus ou d'autres accessoires gonflables peut les faire exploser ou voler en éclats. 	<ul style="list-style-type: none"> Ne pas utiliser d'outils ni d'accessoires pneumatiques avant d'avoir lu le mode d'emploi afin de déterminer la capacité de pression maximale de sécurité. Ne jamais dépasser les puissances nominales admissibles, maximales, du fabricant. Ne gonflez jamais de petits objets de faible pression comme des jouets ou des ballons pour enfants à l'aide du compresseur.
--	---



⚠️ DANGER: RISQUES DE BLESSURES OU DE DOMMAGES PENDANT LE TRANSPORT OU L'ENTREPOSAGE

CE QUI PEUT ARRIVER	COMMENT L'ÉVITER
<ul style="list-style-type: none"> L'huile du compresseur peut fuir ou se déverser et ainsi présenter un risque d'incendie ou un danger d'ordre respiratoire; des blessures graves ou mortelles peuvent en résulter. Les fuites d'huile peuvent endommager les moquettes, la peinture ou d'autres surfaces. 	<ul style="list-style-type: none"> Veillez à toujours maintenir le compresseur à niveau et à ne jamais le coucher sur le côté. Lors du transport, placez toujours le compresseur sur un tapis de protection pour empêcher tout dégât en cas de fuite. Dès votre arrivée à destination, sortez immédiatement le compresseur du véhicule. En cas de fuite d'huile, suivez toutes les consignes locales de sécurité en matière de nettoyage des matières dangereuses.



⚠️ AVERTISSEMENT: RISQUES DE DÉCHARGE ÉLECTRIQUE

CE QUI PEUT ARRIVER

- **Mise à la terre:** Le fait de ne pas fournir au compresseur une mise à la terre adéquate peut entraîner des blessures graves ou mortelles par électrocution.
- Le compresseur d'air fonctionne à l'électricité. Comme tout dispositif alimenté de manière électrique, s'il n'est pas utilisé correctement, il peut provoquer une décharge électrique.
- Des réparations effectuées par des personnes non autorisées peuvent entraîner des blessures graves ou même mortelles.

COMMENT L'ÉVITER

- Assurez-vous toujours que le circuit électrique auquel est relié le compresseur fournit une mise à la terre adéquate, une tension adéquate et des fusibles adéquats. En cas de doute ou si vous avez des questions à propos de la mise à la terre, de la tension ou des fusibles, veuillez nous appeler gratuitement au 1-800-310-3573.
- Ne faites jamais fonctionner le compresseur à l'extérieur en cas de pluie, de neige ou par temps humide.
- Ne laissez jamais traîner le cordon électrique dans l'eau.
- Ne faites jamais fonctionner le compresseur si le cordon électrique est endommagé ou si ses couvercles de protection sont endommagés ou absents.
- Ne touchez jamais la prise avec des mains mouillées.
- Ne débranchez jamais la prise en tirant sur le cordon.
- Toutes réparations électriques et opérations de câblage effectuées sur ce compresseur ne doivent être entreprises que par un membre du personnel d'entretien agréé par ROLAIR et conformément à tous les codes électriques nationaux et locaux.



⚠️ AVERTISSEMENT: RISQUES D'ACCIDENTS LIÉS À LA PROJECTION D'OBJETS

CE QUI PEUT ARRIVER

- Des dégâts et blessures graves peuvent se produire en cas de débris propulsés à grande vitesse par le flux d'air comprimé.

COMMENT L'ÉVITER

- Portez toujours un équipement de sécurité homologué : lunettes de protection ANSI Z87.1 (CAN / CSA Z94.3) avec écrans latéraux lors de toute utilisation du compresseur.
- Ne dirigez jamais le flux d'air, la buse ou le pulvérisateur vers vous-même, une autre personne ni vers un animal.
- Éteignez toujours le compresseur et déchargez complètement la pression du réservoir avant de procéder à l'entretien ou de fixer des accessoires ou le tuyau d'air.



⚠️ AVERTISSEMENT: RISQUES DE SURFACE CHAUDE

CE QUI PEUT ARRIVER

- De graves brûlures peuvent résulter d'un contact avec certaines parties métalliques comme le moteur, la pompe, les pièces en cuivre ou les canalisations d'évacuation tressées. Ces pièces chauffent durant le fonctionnement et restent chaudes pendant longtemps, même une fois le compresseur arrêté.

COMMENT L'ÉVITER

- Ne touchez jamais les parties métalliques exposées durant le fonctionnement ni bien après l'arrêt.
- Ne touchez pas les carénages et n'entrez aucun entretien avant le refroidissement complet de l'appareil.



⚠️ AVERTISSEMENT: RISQUE ASSOCIÉ AUX PIÈCES MOBILES

CE QUI PEUT ARRIVER

- Des blessures graves ou mortelles peuvent survenir en cas de contact de pièces mobiles (courroies, roues, poulies, ventilateurs) avec vous ou vos vêtements.
- Un compresseur d'air électrique peut redémarrer à tout moment quand il est branché, et un démarrage inopiné peut entraîner des blessures graves ou mortelles ou des dégâts matériels.

- Essayer de faire fonctionner le compresseur avec des pièces, dispositifs de protection, carénages ou couvercles endommagés ou manquants risque de vous mettre en contact avec des pièces en mouvement et d'entraîner des blessures graves ou mortelles.

COMMENT L'ÉVITER

- Avant l'utilisation, assurez-vous toujours que tous les dispositifs de protection et les couvercles sont en bon état, et ne faites jamais fonctionner le compresseur si des protections ou des couvercles ont été enlevés ou endommagés.
- Gardez toujours vos cheveux, bijoux, vêtements et gants éloignés des pièces mobiles, pour éviter qu'ils ne s'y coincent.
- Il est commun que les bouches d'aération recouvrent des pièces en mouvement, c'est pourquoi elles sont également à éviter.
- Débranchez toujours le compresseur lorsqu'il n'est pas en marche.
- Avant tout entretien ou toute réparation, éliminez toujours et entièrement la pression du réservoir d'air.
- Ne laissez jamais un enfant ou un adolescent aux commandes du compresseur d'air.
- Toute réparation du compresseur d'air doit être faite exclusivement par un membre du personnel d'usine agréé par ROLAIR.



⚠️ AVERTISSEMENT: RISQUES LIÉS AU FAIT DE SOULEVER

CE QUI PEUT ARRIVER

- Des blessures graves peuvent survenir par suite du levage d'un objet trop lourd.

COMMENT L'ÉVITER

- Faites-vous toujours aider d'autres personnes si vous devez soulever un objet trop lourd pour vous.



⚠️ AVERTISSEMENT: RISQUES LIÉS AUX CHUTES

CE QUI PEUT ARRIVER

- Un compresseur peut vibrer et se déplacer durant son fonctionnement normal, ce qui peut le faire tomber d'une table, d'un établi, d'un toit, ou d'une autre plate-forme et ainsi causer des dommages au compresseur, des dégâts matériels, ou encore des blessures graves ou mortelles à toute personne se trouvant à proximité.

COMMENT L'ÉVITER

- Veillez à toujours utiliser le compresseur d'air en position stable et sécurisée pour empêcher tout déplacement accidentel de l'appareil. Ne le faites jamais fonctionner sur un toit ou à partir d'une autre position surélevée. Utilisez le tuyau d'air pour atteindre les endroits en hauteur.



⚠️ AVERTISSEMENT: RISQUES LIÉS AU BRUIT

CE QUI PEUT ARRIVER

- Dans certaines conditions et selon la durée d'utilisation, le bruit émis par ce produit peut contribuer à causer une perte auditive.

COMMENT L'ÉVITER

- Portez toujours un équipement de sécurité homologué : protections auditives ANSI S12.6 (S3.19).



⚠️ AVERTISSEMENT: RISQUES LIÉS À UN FONCTIONNEMENT DANGEREUX

CE QUI PEUT ARRIVER

- Le fait d'utiliser le compresseur d'air de manière dangereuse peut entraîner pour vous ou pour autrui des blessures graves ou même mortelles.

COMMENT L'ÉVITER

- Lisez et comprenez bien toutes les instructions contenues dans le mode d'emploi.
- Sachez comment cesser de faire fonctionner le compresseur à tout moment.
- Ne pas faire fonctionner jusqu'à ce que l'appareil et tous les contrôles vous soient familiers.
- Ne faites pas fonctionner le compresseur si vous êtes fatigué, sous l'influence d'alcool ou de drogues ou dans tout autre état susceptible d'altérer votre jugement.
- Soyez alerte tant que vous faites fonctionner le compresseur et soyez très attentif à votre tâche.



⚠️ MISE EN GARDE: RISQUE DE DOMMAGE AU COMPRESSEUR D'AIR OU À LA PROPRIÉTÉ

CE QUI PEUT ARRIVER

- Le fait de transporter ou de faire fonctionner le compresseur de manière inadéquate peut entraîner d'importantes dépenses de réparations.

COMMENT L'ÉVITER

- Vérifier les niveaux d'huile chaque jour et maintenir les niveaux d'huile à un niveau approprié.
- Faites toujours fonctionner le compresseur dans une position sûre et à niveau.
- Ne pas faire fonctionner sans filtre à air ou dans un environnement corrosif.

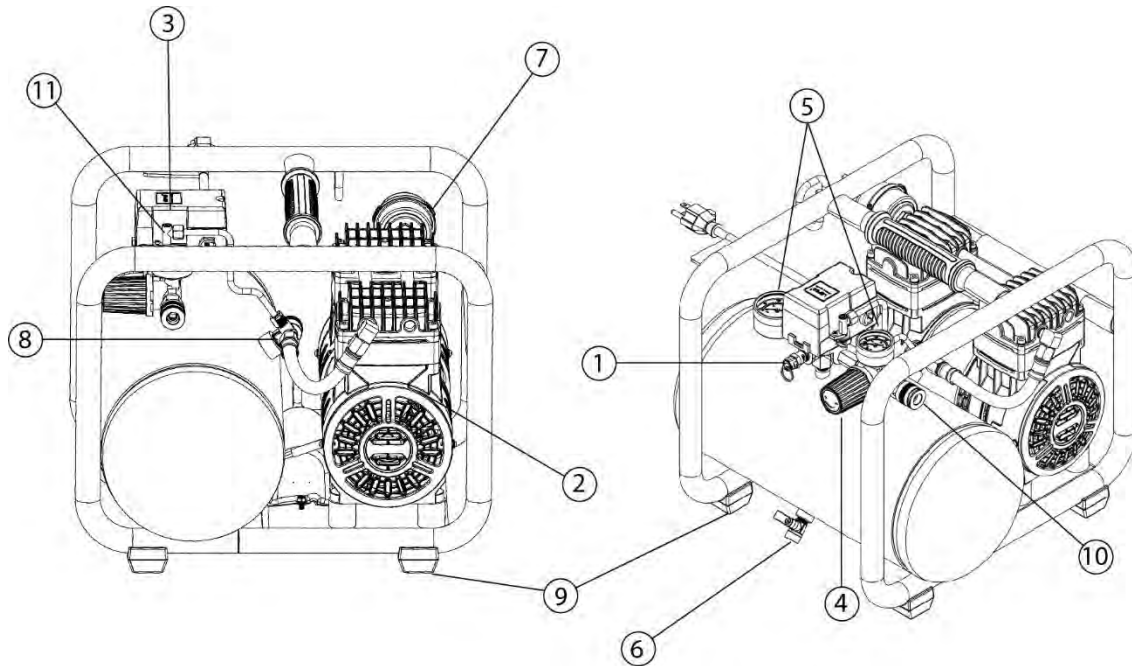
APERÇU ET CONSIGNES IMPORTANTES SUR LA SÉRIE JC10PLUS

Les compresseurs d'air de la série « JC10 » à entraînement direct et sans huile tournent à faible vitesse en vue de produire un fonctionnement extrêmement silencieux et des années de service sans problème. Les clapets super minces permettent ce fonctionnement silencieux mais sont sensibles aux dommages causés par l'infiltration des plus petits corps étrangers. Par conséquent, il importe de maintenir la cartouche d'admission en bon état structurel avec un élément filtrant propre et solide. Remplacez le module d'admission tout entier si la cartouche se détache du raccord fileté et vérifiez régulièrement l'élément d'admission plissé pour veiller à ce qu'il demeure exempt de trous et de déchirures.

La nouvelle génération de compresseurs JC10PLUS comporte à présent un rembobineur et des cylindres plus longs que l'on peut retourner en vue de doubler la durée d'utilisation. Cette série n'est cependant pas prévue pour fonctionner de manière continue et produira les meilleurs résultats avec des temps de pause équivalents aux temps d'utilisation. Si vous voyez que votre compresseur fonctionne habituellement plus de cinq minutes par tranche de dix minutes pour produire le rendement voulu, il vous faudra certainement boucher des fuites dans le tuyau d'air ou remplacer le présent compresseur par un plus puissant pour ce type de tâche.

Le moteur est également équipé d'une protection automatique de surcharge thermique et il peut redémarrer de façon inattendue et à plusieurs reprises en cas de surcharge. Par exemple, le cycle de service peut se répéter plus souvent qu'à l'ordinaire en raison de fuites au niveau du tuyau d'air. Par conséquent, ne laissez jamais le compresseur d'air branché sans surveillance. En cas de surcharge, débranchez le compresseur et laissez-le refroidir pendant plusieurs heures avant de le faire redémarrer.

COMMANDES DU SYSTÈME



1. SOUPAPE DE SÛRETÉ ET DE DÉCHARGE Chaque compresseur d'air ROLAIR est muni d'une soupape de sûreté et de décharge qui est conçue pour refouler la pression du réservoir à un réglage prédéterminé lorsque se produit une défaillance du système. Vérifier quotidiennement la soupape de sûreté en tirant sur l'anneau uniquement lorsque la pression du réservoir est complètement purgée. La soupape à ressort doit se déplacer librement dans le corps de la soupape de sûreté. Une soupape de sécurité défectueuse peut permettre une surpression dans le réservoir d'air qui peut alors se briser ou exploser.



Ne pas modifier ni tenter de retirer la soupape de sûreté.

2. PROTECTION INTERNE AUTOMATIQUE CONTRE LES SURCHARGES Le moteur de série JC est équipé d'une protection interne automatique contre les surcharges. En cas de problème électrique ou si le compresseur fonctionne au-delà de la limite de son cycle de service, la protection thermique interrompt l'alimentation électrique et arrête automatiquement le moteur pour le protéger. Une fois que le moteur a suffisamment refroidi, il tente automatiquement de redémarrer. Si l'anomalie électrique qui a causé le déclenchement de la protection thermique n'est pas corrigée, le moteur continuera à surchauffer et à redémarrer, ce qui peut conduire à une panne complète du moteur. C'est pourquoi, **NE LAISSEZ JAMAIS LE COMPRESSEUR D'AIR BRANCHÉ SANS SURVEILLANCE**. Vérifiez toujours la source d'électricité ainsi que le calibre et la longueur de la rallonge électrique utilisée chaque fois que la protection thermique arrête le moteur (voir le tableau page 24.)

3. COMMUTATEUR DE PRESSION Votre compresseur d'air fonctionne à l'aide d'un commutateur de pression. Assurez-vous toujours que le levier se trouve en position « Arrêt » avant de brancher le cordon électrique. Si le levier est placé en position « Marche/Auto », le compresseur démarre et s'arrête automatiquement en fonction du réglage du commutateur de pression, en général 95 à 125 lb/po². Ne tentez jamais d'arrêter le compresseur en débranchant le cordon électrique. Pour l'arrêter, placez le levier en position « Arrêt ».

4. RÉGULATEUR – PRESSION DE SERVICE Pour régler la pression de sortie/principale, tournez le bouton de réglage du régulateur dans le sens des aiguilles d'une montre pour augmenter la pression de service ou dans le sens inverse pour la réduire. Ne dépassez jamais la pression maximale déterminée par le fabricant de l'outil utilisé ou de l'article gonflé. Libérez toujours la pression du coupleur en tournant complètement le bouton de réglage dans le sens inverse des aiguilles d'une montre avant de retirer le tuyau d'air.

5. MANOMÈTRE(S) La plupart des compresseurs sont en général équipés d'une jauge qui mesure la pression du réservoir ou de stockage et d'une autre jauge qui indique la pression de sortie ou de service.

6. SOUPAPE(S) DE PURGE Une ou plusieurs soupape(s) de purge est ou sont installée(s) pour évacuer, quotidiennement, l'humidité du ou des réservoir(s) de stockage du compresseur. Ouvrir les soupapes de purge lentement et avec précaution pour éviter que le tarte, la rouille, les débris soient projetés à une vitesse élevée.

7. FILTRE D'ADMISSION D'AIR Un filtre d'admission d'air est présent pour empêcher la pénétration de corps étrangers dans la pompe du compresseur. Vérifiez régulièrement l'élément d'admission et nettoyez-le ou remplacez-le au besoin. Nettoyez-le à l'aide d'eau savonneuse ou d'air comprimé à basse pression.

COMMANDES DU SYSTÈME (suite)

8. CLAPET ANTI-RETOUR Chaque compresseur d'air ROLAIR est équipé d'un clapet anti-retour destiné à contenir et maintenir la pression du réservoir après avoir atteint la pression maximale de la soupape pilote ou du commutateur de pression. Le clapet anti-retour agit de concert avec la soupape de sûreté du commutateur de pression pour permettre au compresseur un démarrage sans charge. Le fait qu'un rapide jet d'air s'échappe par la soupape de sûreté une fois que la machine a atteint sa pression maximale indique que le clapet anti-retour fonctionne correctement. Si après son arrêt, le compresseur exhibe une fuite mystérieuse qui ne provient de nulle part ailleurs, il est possible que le clapet anti-retour ait besoin d'être réparé ou remplacé. Libérez toujours entièrement la pression du réservoir avant de tenter de retirer ou de réparer toute pièce.

9. AMORTISSEURS ANTIVIBRATION Les coussinets en caoutchouc installés sous chaque ensemble réservoir de compresseur portatif ROLAIR sont très importants pour le bon fonctionnement du compresseur d'air. Ils offrent une protection contre les vibrations qui pourront entraîner des dommages à de nombreux composants du système si rien n'est fait.

10. RACCORD RAPIDE Un raccord rapide universel ou à 3-voies est installé sur votre compresseur d'air de série JC. Engagez une fiche mâle de 1/4 po dans le coupleur pour enclencher le raccord du tuyau dans le coupleur. Libérez toujours la pression du coupleur avant d'installer ou de retirer le tuyau. Voyez les consignes concernant le régulateur (n°4 ci-dessus). Tirez sur le manchon pour retirer le tuyau à air une fois que la pression a été libérée.

11. SOUPAPE DE SÛRETÉ DU COMMUTATEUR DE PRESSION Le commutateur de pression est équipé d'une soupape de sûreté normalement fermée pour permettre au moteur JC10PLUS de démarrer sans charge. Lorsque le compresseur d'air s'arrête automatiquement ou manuellement à l'aide du levier de Marche/Arrêt, la tige de la soupape de sûreté est poussée par une palette attachée aux contacts mobiles pour relâcher ou purger la pression de refoulement et la pression principale. Un jet d'air évident doit s'échapper une fois que le compresseur s'est arrêté pour que le moteur puisse redémarrer au réglage de basse pression de 95 lb/po². S'il y a une fuite d'air continue au niveau de la soupape de sûreté après l'arrêt du compresseur, le clapet anti-retour ne fonctionne pas correctement. Voyez les Commandes du système (paragraphe 8). Si aucun air n'est relâché après l'arrêt du compresseur, il y a un problème au niveau de l'alignement de la tige de la soupape de sûreté et des palettes de contact.

FICHE DE CONTRÔLE POUR LE PRÉ-DÉMARRAGE

Lire attentivement le manuel de l'utilisateur. S'assurer de bien comprendre tous les avertissements de sécurité, les commandes du système et les consignes données avant de faire fonctionner ce compresseur d'air. Tous les efforts ont été déployés pour vous fournir l'information requise pour que vous obteniez de nombreuses années de service fiable et sans problème de votre nouveau compresseur d'air. Il incombe à l'utilisateur la responsabilité de faire fonctionner le compresseur d'air de façon appropriée. Pour obtenir une durée de vie la plus longue possible du compresseur d'air, toujours garder à l'esprit les consignes suivantes.

1. INSTALLATION DU FILTRE D'ADMISSION D'AIR

Retirez l'ensemble du filtre à air en métal de l'intérieur du sac joint au compresseur avec le mode d'emploi. Enfilez le filtre d'admission dans l'orifice sur la culasse de la pompe. Voyez la Référence 7 sur le schéma des Commandes du système (page 8) ou référez-vous au schéma ou à l'image de la boîte pour choisir le meilleur emplacement du filtre à air. Un tube en nylon est inséré dans le filtre pour contribuer à rendre les compresseurs d'air de la série JC encore plus silencieux ! Assurez-vous toujours que l'extrémité du tube insérée dans le filtre est coupée selon l'angle voulu de manière à empêcher toute restriction au niveau de l'admission d'air.

2. CHOISISSEZ UN ENDROIT PROPRE, SEC ET BIEN AÉRÉ

Prévoyez un dégagement d'au moins 18 po derrière le carter de la courroie pour permettre à la pompe de bien refroidir après le fonctionnement du volant. Évitez de faire fonctionner l'appareil sous la pluie ou à proximité d'eau stagnante. Ne faites jamais fonctionner l'appareil en présence d'autres gaz, fumées ou vapeurs qui pourraient exploser s'ils sont comprimés. Ne faites pas fonctionner le compresseur dans un endroit clos ou si les orifices d'aération sont couverts.

3. INSPECTEZ/NETTOYEZ/REMPLECEZ RÉGULIÈREMENT LES ÉLÉMENTS D'ADMISSION

L'infiltration de particules de saleté dans la pompe constitue la cause essentielle d'une usure précoce. Surveillez bien le filtre d'admission. Vérifiez l'élément d'admission de manière quotidienne.

FICHE DE CONTRÔLE POUR LE PRÉ-DÉMARRAGE (suite)

4. **UTILISER UN FLEXIBLE D'AIR PLUS LONG, DE DIAMÈTRE APPROPRIÉ, PLUTÔT QU'UNE RALLONGE**
Si une rallonge doit être utilisée, veuillez consulter le tableau ci-dessous pour le calibre approprié et la longueur maximale pouvant être utilisés. L'utilisation d'un flexible d'air d'une dimension inappropriée entraînera également des pertes de charge par frottement qui pourraient affecter la performance des outils pneumatiques.

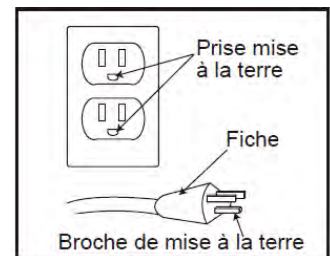
TABLEAU DES RALLONGES ÉLECTRIQUES

Calibre de fil minimal		
Longueur de rallonge	Moteur 1/2 et 3/4 HP	Moteur 1, 1 1/2 et 2 HP
Jusqu'à 7,6 m (25 pi)	14 gal (64 L)	12 gal (54 L)
entre 7,6 et 15 m (25 et 50 pi)	12 gal (54 L)	10 gal (45 L)
entre 15 et 30 m (50 et 100 pi)	10 gal (45 L)	8 gal (36 L)

Cordon d'alimentation

Type de fiche A/B
60 Hz, 120 V

Cet appareil doit être utilisé avec un courant de 120 volts et doit être relié à la terre. Il faut utiliser un cordon avec fiche de mise à la terre, tel qu'illustré. Aucun adaptateur ne doit être utilisé avec cet appareil.



5. **N'UTILISER AUCUN GÉNÉRATEUR COMME SOURCE D'ALIMENTATION**
Les compresseurs d'air utilisent des moteurs à induction qui nécessitent un ampérage de 3 à 5 fois plus de courant pleine charge pour un démarrage approprié. La plupart des générateurs ne fourniront pas la puissance nécessaire pour démarrer de façon appropriée ce type de moteur électrique.
6. **VÉRIFIER LA TENSION DES BOULONS, DES COURROIES ET DU MATÉRIEL SUR UNE BASE RÉGULIÈRE**
L'utilisation de tout équipement avec les boulons et/ou raccords desserrés entraînera des vibrations excessives et la défaillance prématurée des éléments de commande du compresseur.
7. **MAINTENIR EN BON ÉTAT LES COUSSINETS ANTIVIBRATION EN CAOUTCHOUC**
Des vibrations excessives sont une cause importante de la défaillance prématurée du compresseur. Toujours maintenir en bon état les coussinets antivibration en caoutchouc situés sous l'ensemble réservoir. Le fonctionnement sans les coussinets antivibration annulera la garantie.
8. **ÉVACUER L'HUMIDITÉ DES RÉSERVOIRS D'AIR CHAQUE JOUR**
L'eau est un dérivé naturel de l'air comprimé. Évacuer le(s) réservoir(s) d'air après chaque utilisation pour prévenir contre la corrosion du réservoir interne. Garder fermées les soupapes de purge en cas de rangement du compresseur pour une longue période de temps.

SPÉCIFICATIONS

	JC10PLUS		JC10PLUS
Cheval-vapeur	1.0	Capacité du réservoir	9.5 litres
Tension	120 V	Durée de pompage (0 à 125 psi)	:55 seconds
Hertz	60 hZ	Durée de récupération (95 à 125 psi)	:14 seconds
Régime (tr/min) du moteur	1700	Déplacement PCM	5.3
Étage(s)	1	Pieds cubes délivrés à 90 psi	2.4
Intensité de courant électrique	7.5	Dimensions (LxWxH cm)	42x42x35
Protection thermique	Automatique	Poids (kg)	20.4
Paramètres d'usine	95 à 125 psi	Niveau de bruit	60 dBA

FONCTIONNEMENT

AVERTISSEMENT — La sécurité et le bien-être des autres pendant le fonctionnement de chaque compresseur ROLAIR est notre principale préoccupation. Ne pas utiliser ou permettre à quiconque de faire fonctionner le compresseur d'air jusqu'à ce que l'information contenue dans ce manuel soit lue et parfaitement comprise. Pour toute question supplémentaire à propos de l'utilisation appropriée du compresseur d'air, veuillez communiquer avec le distributeur ou notre service à la clientèle.

1. Portez des lunettes de protection.
2. Inspectez la machine pour vous assurer que les boulons sont serrés, les coussinets de vibration sécurisés, le cordon d'alimentation solide, les raccords à compression serrés, et le filtre d'admission d'air propre, solide et bien installé.
3. Placer le compresseur dans un endroit propre, sec et bien aéré, à l'abri de vapeurs et de gaz volatils. Ne faites jamais démarrer la machine avec ses orifices d'aération couverts.
4. Ouvrez lentement le robinet de vidange pour évacuer toute condensation. Gardez le robinet ouvert pendant 20 à 30 secondes après avoir démarré le compresseur pour faire chauffer le moteur et la pompe.
5. Assurez-vous d'avoir placé le levier de l'interrupteur de pression en position « Arrêt » avant de brancher la machine sur une prise correctement mise à la terre. Ne débranchez jamais la machine avant d'avoir placé le levier en position « Arrêt ».
6. Placez le levier en position « Marche » et fermez le robinet du réservoir pour augmenter la pression après avoir laissé chauffer la machine pendant quelques secondes avec le robinet ouvert.
7. Fixer le tuyau d'air seulement après avoir tourné le bouton de réglage du régulateur dans le sens inverse des aiguilles d'une montre pour éliminer toute pression accumulée.
8. Tournez le bouton de réglage du régulateur dans le sens des aiguilles d'une montre jusqu'à l'obtention de la pression voulue.
9. Une fois la tâche effectuée, tournez le bouton de réglage du régulateur dans le sens inverse des aiguilles d'une montre pour éliminer la pression avant de retirer le tuyau d'air. Ouvrez lentement le robinet afin d'évacuer l'humidité en vue de la prochaine utilisation. Placez le levier de l'interrupteur de pression en position « Arrêt » avant de débrancher.
10. Rangez le compresseur à l'abri du froid et de l'humidité et effectuez un entretien de routine selon les directives de ce manuel.

REMARQUE : NE FAITES PAS FONCTIONNER LE COMPRESSEUR DE FAÇON CONTINUE. Les compresseurs de la série JC sont prévus pour des cycles de fonctionnement à 70 %. S'ils fonctionnent plus de quarante minutes par heure, il y a surchauffe du moteur, ce qui déclenche le dispositif de protection interne contre les surcharges qui arrête l'appareil. Ce dispositif permet aussi au moteur de redémarrer automatiquement une fois qu'il a suffisamment refroidi, ce qui peut parfois survenir de manière inattendue. Par conséquent, ne laissez **JAMAIS** le compresseur d'air branché sans surveillance.

UTILISATION À HAUTE ALTITUDE:

Les pompes de compresseurs d'air produisent moins de pi³/min à des altitudes plus élevées en raison d'une diminution de la pression atmosphérique. En règle générale, la capacité diminue d'environ 3 % pour chaque augmentation de l'altitude de 305 m (1000 pi). De plus, étant donné que l'air à plus haute altitude est moins dense et ne refroidit pas autant, les moteurs électriques ne peuvent pas être soumis à la totalité de l'intensité électrique indiquée sur la plaque signalétique et peuvent devoir être mis à niveau afin d'éviter une surchauffe répétée.

Les compresseurs à entraînement direct ou à main qui sont construits avec des soupapes de démarrages à froid peuvent avoir besoin d'être modifiés lorsqu'ils sont utilisés à des altitudes plus élevées. Les carburateurs sur les compresseurs d'air à essence peuvent également devoir être réajustés pour pouvoir fonctionner adéquatement à des altitudes plus élevées. Communiquez avec notre service à la clientèle en usine si votre compresseur d'air (qui fonctionne habituellement bien) ne fonctionne pas adéquatement à des altitudes plus élevées.

MAINTENANCE

Votre nouveau compresseur correspond à ce qui se fait de mieux en matière d'ingénierie et fabrication. Cependant, même la meilleure des machines nécessite une maintenance périodique. Veuillez respecter le calendrier de maintenance et tenir compte des suggestions qui suivent pour maintenir le compresseur dans un état optimal.

REMARQUE : Toujours débrancher ou éteindre le compresseur et purger les réservoirs d'air complètement avant de tenter toute activité de maintenance. Attendre que le compresseur refroidisse avant toute révision.

CONSEILS DE MAINTENANCE : 1) Utiliser une solution de savon/eau pour vérifier les fuites d'air.

2) Ne jamais nettoyer les filtres à l'aide d'un solvant inflammable.

3) Resserrer au couple les boulons de la culasse seulement après que la pompe aura refroidi.

4) Déplacer le moteur de 6,35 mm (1/4 po) et remettre les courroies en place pour augmenter la tension des courroies sur les appareils électriques.

5) Ne jamais souder le(s) réservoir(s) d'air.

MAINTENANCE (suite)

PROGRAMME DE MAINTENANCE

Recommandation	Quotidienne	Hebdomadaire	Mensuelle	Trimestrielle	Annuellement
Vérifier le niveau d'huile	X				
Évacuer l'humidité du ou des réservoir(s)	X				
Inspecter le(s) filtre(s) à air	X				
Vérifier la présence de bruit ou de vibration inhabituel(le)	X				
Inspecter le couvre-courroie	X				
Vérifier la présence de fuite d'air ou d'huile	X				
Nettoyer l'extérieur du compresseur d'air		X			
Vérifier la condition des coussinets antivibration		X			
Serrer/Resserrer au couple les boulons		X			
Vérifier la tension de la courroie		X			
Vérifier le fonctionnement de la soupape de sûreté		X			
Changer l'huile du compresseur			X		
Nettoyer/Remplacer le filtre à air			X		
Effectuer l'essai de temps de remplissage			X		
Vérifier le fonctionnement des commandes du système				X	
Vérifier la présence de bosses/fuites sur les réservoirs d'air				X	
Inspection du réservoir par un inspecteur certifié					X

RELEVÉ D'ENTRETIEN

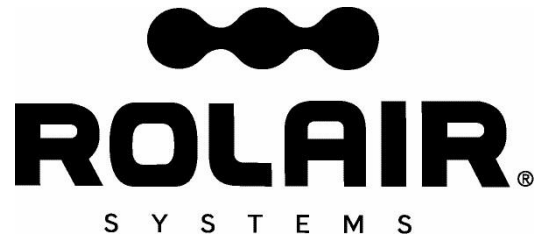
Il vous incombe de veiller à l'entretien de routine de votre nouveau compresseur afin d'en maximiser la durée d'utilisation. Veuillez noter vos activités d'entretien dans le tableau ci-dessous et présentez ces renseignements si vous faites appel au service de garantie.

Date	Heures d'utilisation	Test du temps d'accroissement de la pression d'air	Inspection de la cartouche d'admission	Inspection de l'élément d'admission	Vérification des fuites à l'aide d'eau savonneuse	Entretien divers : resserrage des boulons, remplacement des coussins anti-vibrations, etc.

DÉPANNAGE

AVERTISSEMENT – S'assurer de bien comprendre tous les avertissements de sécurité et le fonctionnement de chaque élément de contrôle du système avant d'effectuer quelque activité de maintenance ou de réparation que ce soit. Toujours purger le réservoir complètement de sa pression, s'assurer que le cordon d'alimentation est débranché et que l'appareil a eu le temps de refroidir avant d'effectuer quelque activité de maintenance ou de réparation que ce soit.

PANNE	CAUSE	SOLUTION
Le moteur ne fait aucun bruit lorsqu'il est mis en marche.	La pression du réservoir est complète.	Purgez en-dessous de 95 lb/po ² pour redémarrer.
	La protection thermique automatique a arrêté le compresseur pour raison de surchauffe.	Débranchez, purgez la pression du réservoir et laissez refroidir avant de redémarrer. Vérifiez la source de courant et la rallonge électrique utilisée.
Le moteur ronronne mais ne tourne pas.	Les bobinages du moteur sont grillés.	Amenez le compresseur chez le réparateur. Vérifiez la source de courant et le cycle de service.
	Le condensateur est en panne.	Remplacez-le et refaites un test.
Le moteur tourne mais la pompe n'atteint pas la pression maximale de 125 lb/po ² .	Fuites externes excessives au niveau de la vidange du réservoir, du régulateur, des tuyaux, etc.	Identifiez les fuites à l'aide d'eau savonneuse et réparez-les.
	Soupape brisée, joint endommagé ou autre problème interne.	Inspectez les plaques de soupape ou amenez le compresseur chez le réparateur.
Le compresseur ne maintient pas la pression du réservoir après s'être arrêté à 125 lb/po ² et la pression fuit continuellement de la soupape de sûreté du commutateur de pression.	Le disque et le ressort à l'intérieur du clapet anti-retour ne sont pas étanches.	Purgez entièrement la pression du réservoir. Dévissez le bouchon d'inspection du clapet anti-retour et éliminez les débris du disque.
Le compresseur fonctionne extrêmement bien pendant près d'une heure puis s'arrête soudainement.	Fuites externes excessives du compresseur ou au niveau du tuyau d'air ou des raccords.	Identifiez les fuites à l'aide d'eau savonneuse et réparez-les.
	Le compresseur est trop petit ou est en train de fonctionner au-delà des 70 % prévus de son cycle de service.	Utilisez un plus gros compresseur pour cette utilisation.
La pompe génère une pression de réservoir supérieure à 125 lb/po ² , ce qui fait sauter la soupape de sûreté.	Les contacts du commutateur de pression sont collés entre eux.	Débranchez, inspectez les contacts et remplacez le commutateur de pression si nécessaire.
	L'orifice du commutateur de pression est encombré de glace ou de débris.	Rentrez le compresseur à l'intérieur pour faire fondre l'eau de vidange du réservoir et redémarrez, ou amenez le compresseur chez le réparateur.
Le compresseur est plus bruyant qu'à l'ordinaire et tarde à générer de la pression.	Soupape brisée, défaillance des roulements ou débris à l'intérieur de la pompe.	Inspectez les plaques de soupape et les têtes de pistons ou amenez le compresseur chez le réparateur.



Garantie

Associate Engineering Corporation garantit que tous les compresseurs seront exempts de quelque défaut de matériau et de fabrication que ce soit, pour une période de douze mois à compter de la date d'achat du produit d'origine ou dix-huit mois à compter de la date de fabrication, selon la date la plus proche.

Advenant quelque manquement à se conformer à la présente garantie, signalé à la Société à l'intérieur de ladite période, la Société, sur l'expédition par l'acheteur du compresseur à notre usine, frais de transport prépayés, corrigera la non-conformité par une réparation appropriée ou, à sa discrétion, fournira une pièce de remplacement FAB de notre usine.

Associate Engineering Corporation ne sera pas tenu responsable des réparations, des remplacements, des ajustements non autorisés effectués sur les compresseurs ou des coûts de main-d'œuvre assumés par l'acheteur.

La présente garantie remplace expressément quelque autre garantie explicite, implicite ou statutaire (y compris, mais sans s'y limiter, les garanties de qualité marchande et d'adéquation à l'usage prévu) et quelque autre obligation et/ou responsabilité de la part de Associate Engineering Corporation. Associate Engineering Corporation n'assume aucune responsabilité ni n'autorise aucune autre personne à assumer pour elle quelque autre obligation ou responsabilité en relation avec ou à l'égard de quelque compresseur.

Associate Engineering Corporation ne sera en aucun cas tenu responsable de quelque dommage indirect, accessoire ou particulier, ni de la sélection inappropriée de quelque compresseur pour une application particulière.

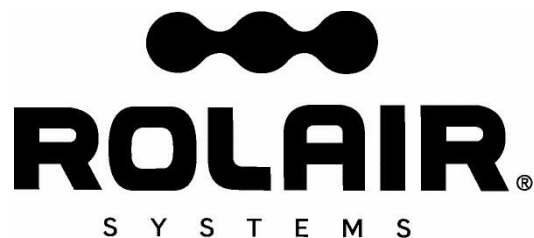
Qualité

Associate Engineering Corporation est dédiée au contrôle continu de la qualité, grâce à une recherche approfondie sur les produits que nous fabriquons. Le but recherché est de mettre à la disposition de l'utilisateur toute l'expérience et l'expertise en ingénierie dont nous disposons pour chaque pièce d'équipement que nous produisons.

Notre gamme de produits satisfait aux besoins variés du monde d'aujourd'hui en matière d'appareils à air comprimé. Vous pouvez compter sur ROLAIR pour toutes les fonctionnalités les plus récentes et perfectionnées disponibles dans le domaine des compresseurs modernes.



606 South Lake Street > P.O. Box 346 > Hustisford, WI 53034-0346 > 920.349.3281 > téléc. 920.349.8861 > www.rolair.com



ADVERTENCIA

EL AIRE DE DESCARGA DE LA COMPRESORA PUEDE CONTENER HIDROCARBUROS Y OTROS CONTAMINANTES. NO UTILICE EL AIRE DE DESCARGA PARA RESPIRAR.

PARTES

Las partes genuinas de repuesto de ROLAIR se venden en todo el país a través de una red de distribuidores y centros de servicio autorizados. Contacte al distribuidor donde adquirió su compresora de aire o a nuestro departamento de servicio al cliente en nuestra fábrica si necesita ayuda para solucionar problemas, obtener partes o localizar a un representante de servicio autorizado de ROLAIR.

- Para solicitar partes de repuesto:
1. Proporcione el número de modelo de la compresora
 2. Proporcione el número de serie de la compresora
 3. Nombre de la parte
 4. Número de parte
 5. Cantidad requerida

REGISTRO DE INFORMACIÓN PERTINENTE

Haga aquí un registro permanente del modelo y el número de serie de su nueva compresora de aire. Ahorrará tiempo y gastos si incluye esta información de referencia al solicitar servicio o partes de repuesto.

Lugar y fecha de compra		Voltios
Modelo		Hz
N.º de serie		C. F.

Con el medidor del tanque a 0 psi (0 kPa) y las líneas de aire desconectadas, cierre las válvulas de drenado y registre el tiempo que tarda en acumularse la presión del tanque en el espacio que se proporciona. Pruebe la compresora periódicamente para comparar el resultado con este tiempo de bombeo a fin de determinar si funciona correctamente. Si el resultado de la prueba de tiempo difiere considerablemente, comuníquese con el representante local de ROLAIR para solicitar servicio.

De 0 a 125*psi (kPa)		
Fecha	Min.	Seg.
Especificaciones de fábrica	0	55

De 0 a ____*psi (kPa)		
Fecha	Min.	Seg.

*Los ajustes de la presión superior varían. Tome nota del ajuste de la presión superior de su máquina después de realizar la prueba de tiempo de bombeado inicial.



ÍNDICE

Introducción y definiciones de advertencias de seguridad	30
Advertencias de seguridad	31-35
Información general e instrucciones importantes del modelo JC10PLUS	35
Identificación de los sistemas de control	36-37
Lista de comprobaciones previas al inicio	37-38
Especificaciones	38
Operación	39
Mantenimiento	39-40
Solución de problemas	41
Garantía	42

INTRODUCCIÓN

¡Felicitaciones por la compra de su nueva compresora de aire ROLAIR!

Con más de 50 años de experiencia en la fabricación de compresoras de aire ROLAIR específicamente diseñadas para profesionales, Associate Engineering Corporation se ha ganado la reputación de proporcionar un producto insuperable en cuanto a calidad y confiabilidad. Estamos comprometidos con seguir con esta tradición mediante el análisis y la adaptación a las necesidades cambiantes y a las demandas rigurosas de la industria. Usted puede confiar en ROLAIR porque están fabricadas para durar.

Este manual fue escrito para beneficio del operador. No utilice ni permita que alguien más utilice su compresora de aire sin antes haber leído y comprendido todas las instrucciones operativas y de seguridad de este manual. Mediante la lectura y seguimiento de las instrucciones de este manual, podrá alcanzar años de vida útil sin problemas de su nueva compresora de aire. Si después de leer este manual tiene alguna pregunta adicional sobre la seguridad o el funcionamiento, comuníquese con su distribuidor o con nuestro departamento de servicio al cliente. No quite ni pinte ninguna de las calcomanías de advertencia adheridas a la compresora. Si cualquier etiqueta de advertencia está ausente o es ilegible, suspenda el uso y contáctenos para un reemplazo gratuito (1-800-310-3573).

Definiciones: Advertencias de seguridad

Los símbolos de seguridad son usados en todo este manual para alertarlo a usted sobre situaciones inminentemente o potencialmente peligrosas. Las siguientes definiciones describen el nivel de gravedad de cada palabra de señalización.



PELIGRO: Indica una situación peligrosa inminente que, si no se evita, PROVOCARÁ lesiones graves o la muerte.



ADVERTENCIA: Indica una situación potencialmente peligrosa que, si no se evita, PODRÍA provocar lesiones graves o la muerte.



PRECAUCIÓN: Indica una situación potencialmente peligrosa que, si no es evitada, PUEDE resultar en heridas menores o moderadas, o daños en el compresor de aire u otras pertenencias.

⚠️ADVERTENCIA: No arranque, no opere y no realice un servicio en esta máquina, hasta haber leído y comprendido completamente el manual del dueño. El no seguir esta advertencia, puede resultar en muerte o serias heridas. Si usted tiene preguntas, por favor, llame a nuestro número libre de cargo, 1-800-310-3573.

⚠️ADVERTENCIA: Este producto contiene químicos, incluyendo plomo, que el estado de California sabe que provocan cáncer, defectos de nacimiento u otros daños reproductivos. Lávese las manos después de manejar este producto.

¡GUARDE ESTAS INSTRUCCIONES!



⚠️PELIGRO: RIESGO DE EXPLOSIÓN O INCENDIO

QUÉ PUEDE OCURRIR

CÓMO EVITARLO

<ul style="list-style-type: none"> Los componentes eléctricos dentro del motor y el interruptor de presión emiten chispas. Esto es normal. Si las chispas eléctricas del compresor entran en contacto con vapores inflamables, pueden encenderse, causando incendio o explosión. 	<ul style="list-style-type: none"> Siempre opere el compresor en un área bien ventilada lejos de todo vapor, líquido, pintura o gasolina inflamables, o cualquier otro material combustible. Siempre sitúe la compresora a al menos 20 pies (6 m) de distancia del área de trabajo si va a rociar materiales inflamables. Almacene los materiales inflamables en un sitio seguro, alejados del compresor.
<ul style="list-style-type: none"> Una ventilación inadecuada o restricciones a cualquiera de las aberturas de ventilación de los compresores, causarán serios sobrecalentamientos y pueden provocar un incendio. 	<ul style="list-style-type: none"> Nunca coloque objetos contra o encima de un compresor de aire. Siempre opere el compresor de aire por lo menos a 45 cm (18 pulgadas) de distancia de toda pared u obstrucción. Siempre opere en un área limpia, seca y bien ventilada.
<ul style="list-style-type: none"> Los compresores desatendidos, con fugas en la unidad o en el sistema de aire, pueden arrancar inesperada y repetidamente, y eso puede resultar en sobrecalentamiento, incendio y heridas personales o daños a la propiedad. 	<ul style="list-style-type: none"> Siempre permanezca atendiendo al compresor cuando el mismo esté funcionando. Siempre apague y desenchufe el compresor cuando no esté en uso.
<ul style="list-style-type: none"> Puede ocasionarse un incendio si gas o vapores derramados entran en contacto con piezas del motor calientes, cigarrillos encendidos u otras fuentes de ignición. 	<ul style="list-style-type: none"> Nunca intente llenar el tanque de gasolina mientras el motor esté caliente o en funcionamiento. Agregue el combustible en el exterior y en un área bien ventilada. No llene el tanque de gasolina cerca de cigarrillos encendidos ni cerca de otras fuentes de ignición.



⚠️PELIGRO: RIESGO PARA LA RESPIRACIÓN (ASFIXIA)

QUÉ PUEDE OCURRIR

CÓMO EVITARLO

<ul style="list-style-type: none"> El aire de su compresor no es seguro para respirar y puede contener monóxido de carbono, vapores tóxicos o partículas sólidas. La inhalación del aire comprimido de su compresor de aire puede causar serias heridas o muerte. 	<ul style="list-style-type: none"> Nunca inhale aire comprimido directamente de la bomba, el tanque, el receptor, o un dispositivo para respirar conectado con el compresor de aire.
<ul style="list-style-type: none"> Materiales rociados tales como pintura, estuco, insecticidas, solventes, etc. pueden contener vapores nocivos y venenos. 	<ul style="list-style-type: none"> Opere el compresor y realice los trabajos solamente en áreas bien ventiladas. Lea y siga las instrucciones de seguridad proporcionadas en el rótulo o en las fichas de datos de seguridad de los materiales que usted esté rociando. Siempre use equipo de seguridad certificado y diseñado para su aplicación específica.
<ul style="list-style-type: none"> En los compresores accionados a gas, los gases del escape del motor contienen monóxido de carbono venenoso que es inodoro e incoloro. La inhalación de esos gases puede llevar a lesiones serias o muerte. 	<ul style="list-style-type: none"> Opere los compresores solamente en áreas bien ventiladas. Evite inhalar los vapores del escape del motor y nunca haga funcionar un motor pequeño a gasolina en un edificio cerrado o en un área cerrada sin la ventilación adecuada.



⚠️ ADVERTENCIA: RIESGO DE EXPLOSIÓN

EL TANQUE DE AIRE: Los tanques de aire no tienen una vida infinita y deben ser inspeccionados una vez por año para asegurar que todavía son seguros para el uso. Para encontrar un inspector de recipientes presurizados en su estado, busque bajo "Division of Labor and Industries" (División de trabajo e industrias) en la sección de gobierno de la guía telefónica o llámenos sin cargo al 1-800-310-3573 para recibir asistencia.

Las siguientes condiciones pueden llevar a un debilitamiento del tanque de aire, y resultar en una explosión violenta del tanque de aire:

QUÉ PUEDE OCURRIR	CÓMO EVITARLO
<ul style="list-style-type: none"> El incumplimiento del drenaje apropiado y regular del agua condensada en los tanques de aire llevará a la corrosión, y la disminución del espesor del tanque de aire de acero puede ocasionar una explosión violenta del tanque de aire. Las modificaciones, las alteraciones o los intentos de reparaciones realizados en el tanque de aire pueden llevar a una explosión violenta del tanque de aire. 	<ul style="list-style-type: none"> Drene los tanques diariamente o después de cada 4 horas de uso. Si el tanque tiene una fuga, reemplácelo inmediatamente por un nuevo tanque de aire, o un nuevo compresor completo. Nunca perforo, abolle, suelde, emparche o modifique el tanque de aire o sus accesorios de ninguna manera. Si usted posee un tanque en el que cualquiera de esas condiciones pareciera existir o haber sido intentada, discontinúe el uso y reemplace el tanque de aire inmediatamente. Nunca intente reparar un tanque dañado o con fugas. Reemplácelo por un nuevo tanque inmediatamente.
<ul style="list-style-type: none"> Las modificaciones no autorizadas sobre la válvula de seguridad, el interruptor de presión, la válvula descargadora del piloto, o cualquier otro componente que controle la presión del tanque de aire, puede llevar a una explosión violenta del tanque de aire. 	<ul style="list-style-type: none"> El compresor de aire está diseñado para operar seguramente y soportar una presión específica fijada en la fábrica. Nunca realice ajustes o sustituya piezas componentes que controlen la presión del tanque de aire o las presiones operativas fijadas en la fábrica. No altere la configuración de fábrica de la presión operativa. Antes de comenzar, y con la presión del tanque de aire en cero, tire del anillo en la válvula de seguridad para asegurarse de que se mueve libremente. Nunca encienda la compresora sin una válvula de seguridad aprobada por la fábrica.
<p>Aditamentos y accesorios:</p> <ul style="list-style-type: none"> Excediendo la capacidad de presión de las herramientas neumáticas, las pistolas rociadoras, los accesorios, los neumáticos o cualquier otro artículo inflable, puede causar la explosión de los mismos o su rotura en pedazos. 	<ul style="list-style-type: none"> No use herramientas neumáticas ni aditamentos antes de leer el manual del dueño, para determinar la capacidad de presión máxima de seguridad. Nunca supere la capacidad nominal de presión máxima permitida del fabricante. Nunca use el compresor para inflar objetos pequeños de baja presión, tales como juguetes para niños, pelotas, etc.



⚠️ PELIGRO: RIESGOS DE HERIDAS O DAÑOS A LA PROPIEDAD DURANTE EL TRANSPORTE O EL ALMACENAMIENTO

QUÉ PUEDE OCURRIR	CÓMO EVITARLO
<ul style="list-style-type: none"> El aceite del compresor puede fugarse o derramarse, lo que puede ocasionar incendios o peligros para la respiración, causando heridas serias o muerte. Las fugas de aceite dañan alfombras, pintura o cualquier otra superficie. 	<ul style="list-style-type: none"> Siempre mantenga el compresor nivelado y nunca acostado lateralmente. Durante el transporte, siempre coloque el compresor sobre un tapete protector para evitar daños ocasionados por posibles fugas. Siempre retire el compresor del vehículo inmediatamente al llegar a su destino. Si se encuentra una fuga de aceite, siga todos los códigos de seguridad locales para la limpieza de materiales peligrosos.



⚠️ ADVERTENCIA: RIESGO DE DESCARGA ELÉCTRICA

QUÉ PUEDE OCURRIR

- **Conexión eléctrica a tierra:** El incumplimiento de proporcionar una conexión a tierra adecuada para el compresor puede resultar en heridas serias o muerte causadas por choques eléctricos.
- Su compresor de aire funciona con electricidad. Como cualquier dispositivo eléctrico, si no es usado apropiadamente, puede causar descargas eléctricas.
- Pueden ocurrir serias heridas o muerte si se intentan realizar reparaciones por personal no autorizado.

CÓMO EVITARLO

- Siempre asegúrese de que el circuito eléctrico al cual el compresor está conectado proporciona conexión eléctrica a tierra apropiada, voltaje correcto y protección de fusibles adecuada. Si usted no está seguro, o si tiene alguna pregunta sobre correctas conexiones eléctricas a tierra, voltaje correcto o protección de fusibles adecuada, por favor llámenos sin cargo al número 800-310-3573.
- Nunca opere el compresor en el exterior cuando esté lloviendo, nevando o en condiciones húmedas.
- Nunca deje que su cable eléctrico permanezca dentro del agua.
- Nunca opere el compresor con un cable eléctrico dañado o con las cubiertas protectoras dañadas o retiradas.
- Nunca toque el enchufe con las manos mojadas.
- Nunca tire del cable eléctrico para desconectarlo de la toma de corriente.
- Todas las reparaciones o instalaciones eléctricas realizadas en este compresor deben ser llevadas a cabo solamente por personal de servicio autorizado por ROLAIR y de acuerdo con todos los códigos de electricidad nacionales y locales.



⚠️ ADVERTENCIA: RIESGO DE OBJETOS VOLANTES

QUÉ PUEDE OCURRIR

- Pueden ocurrir serias heridas o daños a la propiedad causados por residuos disparados a altas velocidades por los chorros de aire comprimido.

CÓMO EVITARLO

- Siempre use equipo de seguridad certificado: gafas protectoras para los ojos ANSI Z87.1 (CAN/CSA Z94.3) con protectores laterales, cuando usa el compresor.
- Nunca dirija la corriente de aire, la boquilla o el rociador hacia ninguna parte de su cuerpo, otras personas o animales.
- Siempre desconecte el compresor y drene la presión del tanque completamente antes de efectuar el mantenimiento o la sujeción de la manguera de aire o las herramientas.



⚠️ ADVERTENCIA: RIESGO DE SUPERFICIES CALIENTES

QUÉ PUEDE OCURRIR

- Serias quemaduras y heridas pueden resultar al tocar piezas metálicas expuestas, tales como el motor, la bomba o cualquier pieza de las líneas de descarga de cobre/trenzado y sus componentes. Estas piezas se calientan durante la operación y permanecen calientes por un período extendido de tiempo, aun después de haber apagado el compresor.

CÓMO EVITARLO

- Nunca toque una pieza metálica expuesta durante la operación, ni por un período de tiempo extendido después de apagar el compresor.
- No se acerque a las envolturas ni intente realizar ningún mantenimiento hasta que la unidad esté completamente fría.



⚠️ ADVERTENCIA: RIESGOS DE PARTES EN MOVIMIENTO

QUÉ PUEDE OCURRIR

- Serias heridas o muerte pueden ocurrir si piezas móviles, tales como correas, volantes, poleas o ventiladores están en contacto con su cuerpo o sus ropas.
- Un compresor de aire eléctrico puede volver a arrancar en cualquier momento mientras está enchufado, y un arranque inesperado puede resultar en serias heridas, muerte o daño a la propiedad.
- Intentar operar el compresor con cualquier pieza, protector, envoltura o cubierta, dañados o faltantes, lo expondrá a usted a las piezas móviles, y eso puede resultar en heridas serias o muerte.

CÓMO EVITARLO

- Previamente a la operación, siempre asegúrese de que todos los protectores y cubiertas estén en buenas condiciones, y nunca opere el compresor si un protector o cubierta ha sido quitado o dañado.
- Siempre mantenga su pelo, sus joyas, sus ropas y sus guantes alejados de las piezas móviles, pues pueden quedar enganchados.
- Es común que las ventilaciones de aire cubran piezas móviles, y por lo tanto, también deben ser evitados.
- Siempre desenchufe el compresor cuando no esté en uso.
- Siempre drene completamente la presión del tanque de aire antes de intentar cualquier reparación o mantenimiento.
- Nunca deje operar el compresor de aire a los niños o a los adolescentes.
- Toda reparación del compresor de aire solamente debe ser realizada por personal autorizado por la fábrica ROLAIR.



⚠️ ADVERTENCIA: RIESGO AL LEVANTAR

QUÉ PUEDE OCURRIR

- Se pueden producir lesiones graves al tratar de levantar un objeto que es demasiado pesado.

CÓMO EVITARLO

- Siempre obtenga asistencia de otras personas antes de intentar levantar cualquier objeto muy pesado para usted.



⚠️ ADVERTENCIA: RIESGO DE CAÍDAS

QUÉ PUEDE OCURRIR

- Un compresor puede vibrar y moverse durante el curso de una operación normal, resultando en una caída desde una mesa, un banco de trabajo, un techo u otra plataforma, causando daños al compresor, a la propiedad y resultando en heridas serias o muerte a cualquier persona en la cercanía.

CÓMO EVITARLO

- Siempre opere el compresor de aire en una posición estable y segura para evitar movimientos accidentales de la unidad. Nunca opere el compresor sobre un techo u otra posición elevada. Use la manguera de aire para alcanzar sitios altos.



⚠️ ADVERTENCIA: RIESGO DE RUIDO

QUÉ PUEDE OCURRIR

- Bajo algunas condiciones y duración del uso, el ruido proveniente de este producto puede contribuir a pérdida auditiva.

CÓMO EVITARLO

- Siempre use equipo de seguridad certificado: protección auditiva ANSI S12.6 (S3.19).



⚠️ ADVERTENCIA: RIESGO DE OPERACIÓN PELIGROSA

QUÉ PUEDE OCURRIR

- Serias heridas o muerte pueden ocurrirle a usted o a otras personas si el compresor de aire es usado de una manera peligrosa.

CÓMO EVITARLO

- Revea y entienda todas las instrucciones en su manual del dueño.
- Sepa como detener el compresor de aire en todo momento.
- No la utilice hasta que se haya familiarizado completamente con todos los controles.
- No opere el compresor si usted se encuentra fatigado, bajo la influencia de alcohol o de drogas, o en cualquier otro estado que pueda impedirle el juicio.
- Manténgase alerta mientras opera el compresor y preste mucha atención a la tarea que realiza.



⚠️ PRECAUCIÓN: RIESGO DE DAÑOS A LA COMPRESORA DE AIRE O LA PROPIEDAD

QUÉ PUEDE OCURRIR

- El incumplimiento del transporte o la operación correctos del compresor puede resultar en grandes costos de reparación.

CÓMO EVITARLO

- Revise los niveles de aceite y mantenga los niveles de aceite adecuados.
- Siempre opere el compresor en una posición segura y nivelada.
- No la utilice sin un filtro de aire o en un entorno corrosivo.

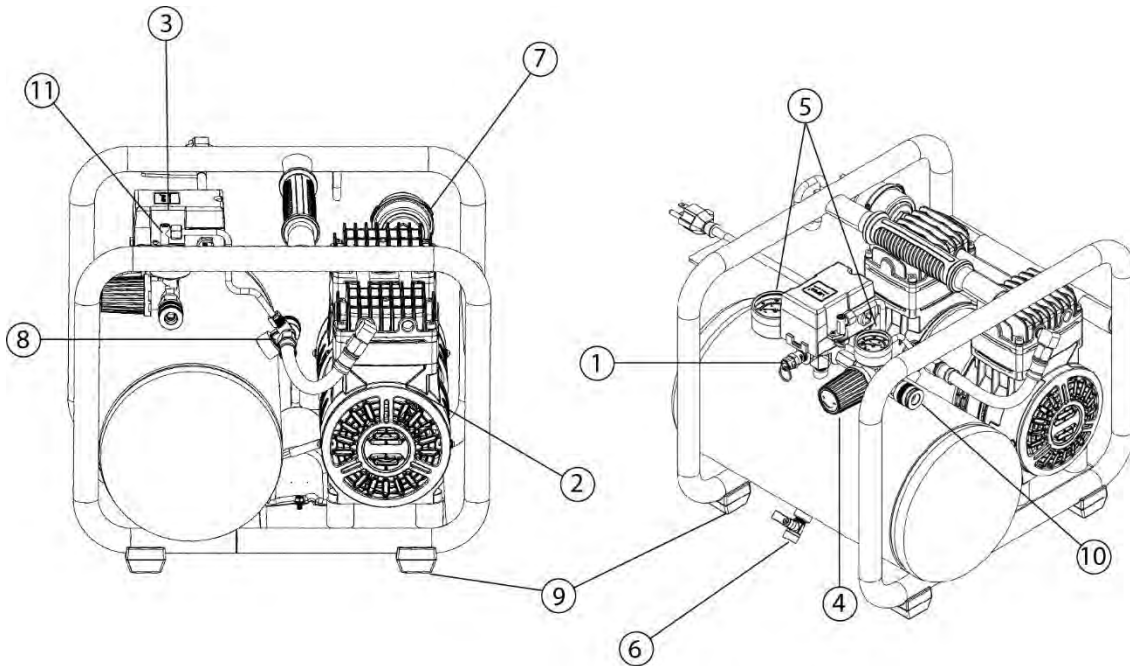
INFORMACIÓN GENERAL E INSTRUCCIONES IMPORTANTES DEL MODELO JC10PLUS

Los compresores de aire de la serie "JC10" son de baja velocidad y dirección directa sin aceite, diseñados para ser extremadamente silenciosos y proporcionar muchos años de servicio sin problemas. Las válvulas de retención laminares, sumamente delgadas, juegan un rol importante en el funcionamiento silencioso, pero son susceptibles a sufrir daños causados por la ingestión de hasta la pieza más pequeña de materiales extraños. Por lo tanto, es vitalmente importante mantener un recipiente de toma de aire estructuralmente firme junto con un elemento filtrante limpio y sólido. Reemplace la unidad de la toma de aire completa si el recipiente se separa del acoplador roscado, y examine regularmente el elemento plisado de la toma de aire para asegurarse de que permanece libre de agujeros y rasgones.

La siguiente generación JC10PLUS está rediseñada con una envoltura del cable y construida con cilindros más largos que pueden ser potencialmente dados vuelta para duplicar la vida de servicio. Sin embargo, esta serie no está clasificada para un trabajo 100% o continuo, y funciona mejor cuando se le da tanto tiempo de descanso como de funcionamiento. Si, para continuar la operación, usted descubre que su compresor está funcionando consistentemente más de cinco minutos en un período de diez minutos, entonces probablemente necesitará reforzar algunas fugas en la manguera de aire o usar un compresor de aire más grande para realizar esa tarea.

El motor tiene también protección térmica automática contra sobrecarga y puede volver a arrancar inesperada y repetidamente en caso de ocurrir una sobrecarga. Por ejemplo, una operación por encima del índice de ciclo de tarea, debido a fugas en la manguera de aire. Por lo tanto, nunca deje el compresor de aire enchufado sin supervisión. En caso de una sobrecarga, desenchufe y permita al compresor enfriarse durante varias horas antes de intentar volver a darle arranque.

CONTROLES DEL SISTEMA



1. VÁLVULA DE SEGURIDAD Cada compresora de aire ROLAIR está equipada con una válvula de seguridad que está diseñada para descargar la presión de descarga del tanque a un valor predeterminado cuando se presenta una falla en el sistema. Revise diaria la válvula de seguridad jalando el anillo solamente cuando se haya drenado completamente la presión del tanque. La válvula de resorte se deberá mover libremente dentro del cuerpo de la válvula de seguridad. Una válvula de seguridad no operativa puede permitir la acumulación de presión excesiva en el tanque, causando la rotura violenta o explosión del tanque de aire.



No altere la válvula de seguridad ni intente eliminarla.

2. PROTECCIÓN AUTOMÁTICA INTERNA CONTRA SOBRECARGA El motor de la serie JC está fabricado con protección automática contra sobrecarga. Cuando ocurre una deficiencia eléctrica, o el compresor es operado por encima del índice de ciclo de tarea, el protector térmico interrumpe la alimentación de energía y apaga automáticamente el motor para protegerlo. Cuando el motor se enfría suficientemente, intenta volver a arrancar automáticamente. Si la deficiencia eléctrica que causó que la sobrecarga desconectara el motor, no es corregida, el motor continuará sobrecalentándose y volviendo a arrancar, lo que causará una falla completa en el motor. Por lo tanto, **NUNCA DEJE EL COMPRESOR DE AIRE ENCHUFADO SIN SUPERVISIÓN**. Siempre vuelva a evaluar la fuente de energía y el calibre/la longitud del alargador eléctrico que se usa, toda vez que el protector térmico interno automático haga detener el funcionamiento del motor. (Refiérase a la tabla en la página 38.)

3. INTERRUPTOR DE PRESIÓN Su compresor de aire funciona con el uso de un interruptor de presión. Siempre asegúrese de que la palanca se encuentre en la posición "Off" (desconectado) antes de enchufar el cable de alimentación eléctrica. Moviendo la palanca a la posición "On/Auto" (conectado/automático), el compresor arrancará y se detendrá automáticamente dentro de los ajustes del interruptor de presión que son típicamente 655-861 kPa (95-125 PSI). No intente detener el compresor desenchufando el cable eléctrico. Para detenerlo, simplemente mueva la palanca a la posición "Off" (desconectado).

4. REGULADOR – PRESIÓN DE TRABAJO Para ajustar la presión de la línea/salida, simplemente rote la perilla de ajuste del regulador en el sentido horario para aumentar la presión de trabajo, o en el sentido contrario al de las agujas del reloj, para reducirla. Nunca exceda el índice de presión máxima permitida por el fabricante de la herramienta que se usa o del artículo que se infla. Siempre alivie la presión del acoplador, rotando la perilla de ajuste completamente en el sentido contrario al de las agujas del reloj, antes de quitar la manguera de aire.

5. INDICADOR/ES DE PRESIÓN Típicamente, la mayoría de los compresores están diseñados con un indicador para medir la presión en el tanque o el almacenamiento, y otro indicador que muestra la presión de salida o de trabajo.

6. VÁLVULAS DE DRENADO Hay una o más válvulas de drenado instaladas que permiten drenar diariamente la humedad de los tanques de almacenamiento de la compresora. Abra las válvulas con cuidado y lentamente para evitar que escamas, óxido o residuos salgan disparados a gran velocidad.

CONTROLES DEL SISTEMA (continuación)

7. FILTRO DE LA TOMA DE AIRE Hay un filtro en la toma de aire, instalado para evitar que materiales extraños entren en la bomba del compresor. Examine regularmente el elemento en la toma de aire y límpielo o reemplácelo según se necesite. Se puede usar agua jabonosa templada o aire bajamente comprimido para limpiar el elemento.

8. VÁLVULA DE RETENCIÓN Cada compresor de aire ROLAIR está fabricado con una válvula de retención para sellar y mantener la presión en el tanque después de haber alcanzado el ajuste más alto de presión de la válvula piloto o del interruptor de presión. La válvula de retención trabaja en conjunto con la válvula de escape del interruptor de presión para proporcionar un arranque *en vacío* para el sistema del compresor. Un pequeño estallido de aire escapando de la válvula de escape después de que la máquina alcanza el extremo superior, indica que la válvula de retención está funcionando correctamente. Si el compresor tiene una fuga misteriosa después de detenerse, que no puede ser localizada en ningún lugar, la válvula de retención puede requerir un servicio o ser reemplazada. Siempre drene completamente la presión del tanque antes de intentar quitar o efectuar un servicio a cualquier pieza componente.

9. AMORTIGUADORES DE VIBRACIÓN Las almohadillas de hule instaladas debajo de cada unidad de tanque portátil ROLAIR son muy importantes para el funcionamiento adecuado de la compresora de aire. Proporcionan protección contra las vibraciones que, si no se controlan, podrían provocar daños a muchos componentes del sistema.

10. DESCONEXIÓN RÁPIDA Un desconector rápido universal o triple está instalado en su compresor de aire de la serie JC. Simplemente presione una clavija macho de 6,35 mm (1/4") dentro del acoplador para insertar a presión el accesorio de la manguera dentro del acoplador. Siempre alivie la presión del acoplador antes de instalar o quitar la manguera. Vea las instrucciones para el regulador (nº 4 arriba). Tire hacia atrás sobre el collar para quitar la manguera de aire después de aliviar la presión.

11. VÁLVULA DE ESCAPE DEL INTERRUPTOR DE PRESIÓN Una válvula de escape normalmente cerrada está instalada en el interruptor de presión para proporcionar al motor JC10PLUS un arranque "en vacío". Cuando el compresor de aire se detiene automáticamente, o manualmente utilizando la palanca "On/Off" (conectado/desconectado), la espiga de la válvula de escape es presionada y abierta por una paleta sujeta a los contactos móviles para descargar o purgar la presión de la cabeza y la línea. Un estallido de aire notable debe ser liberado después de que el compresor de aire se detiene, para que el motor vuelva a arrancar con el ajuste bajo de presión de 655 kPa (95 PSI). Si hay continuas fugas de aire desde la válvula de escape después de que el compresor se detiene, hay un problema con la operación apropiada de la válvula de retención unidireccional del tanque. Vea "Controles del sistema" (nº 8.) Si no hay aire purgado después de que el compresor se detiene, la alineación correcta de la espiga y la paleta de la válvula de escape ha sido comprometida.

LISTA DE COMPROBACIONES PREVIAS AL INICIO

Lea el manual del propietario completamente. Asegúrese de comprender completamente todas las advertencias de seguridad, los sistemas de control y las instrucciones que se incluyen antes de tratar de hacer funcionar esta compresora de aire. Se han hecho todos los esfuerzos por ofrecerle la información necesaria para obtener muchos años de servicio confiable y sin problemas de su nueva compresora de aire. El uso correcto de la compresora de aire es su responsabilidad. Para obtener la máxima vida útil posible de la compresora de aire, siempre deberá tener presentes las siguientes instrucciones.

1. INSTALE EL FILTRO DE LA TOMA DE AIRE

Quite la unidad de limpiador de aire metálico, de la bolsa sujeta al compresor, que tiene el manual del dueño. Enrosque el filtro de la toma de aire dentro del puerto abierto, sobre la cabeza del cilindro de la bomba. Para la ubicación correcta de la instalación del limpiador de aire, refiérase al nº 7 en la ilustración de "Controles del sistema" (página 8) o examine el esquema y/o figura sobre la caja. Hay un tubo de nylon insertado dentro del filtro para contribuir a que los compresores de aire de la serie JC sean ¡todavía más silenciosos! Siempre asegúrese de que el extremo del tubo insertado en el filtro esté cortado en ángulo, para evitar una restricción del flujo de aire de la entrada.

2. TRABAJE EN UN ÁREA LIMPIA, SECA Y BIEN VENTILADA

Deje un espacio libre de por lo menos 45 cm (18") detrás del guardacorrea para permitir un enfriamiento apropiado de la bomba proveniente del calor del volante. No trabaje bajo la lluvia o en áreas con agua estancada. Nunca trabaje en un área donde otros gases o vapores se encuentren presentes, pues pueden tornarse explosivos al ser comprimidos. No opere el compresor en un área cerrada o con alguna abertura de ventilación cubierta.

3. INSPECCIONE/LIMPIE/CAMBIE REGULARMENTE LOS ELEMENTOS DE LA TOMA DE AIRE

La ingestión de suciedad dentro de la bomba es la causa primaria del desgaste prematuro. Preste atención especial al filtro de la toma de aire. Examine diariamente el elemento de la toma de aire.

LISTA DE COMPROBACIONES PREVIAS AL INICIO (continuación)

4. UTILICE UNA MANGUERA DE AIRE DEL TAMAÑO ADECUADO EN VEZ DE CABLES DE EXTENSIÓN

Si es necesario usar un cable de extensión, consulte la tabla que aparece a continuación para conocer el calibre adecuado y la longitud máxima que se pueden usar. El uso de una manguera de aire del tamaño inadecuado también producirá caídas de presión por fricción que podrían afectar el rendimiento adecuado de sus herramientas neumáticas.

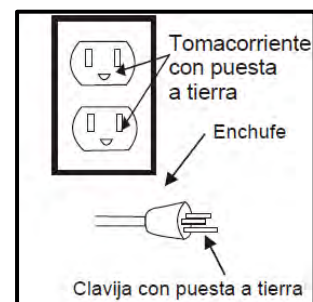
TABLA DE CABLES ELÉCTRICOS DE EXTENSIÓN		
Calibre mínimo del cable		
Extensión Longitud del cable	Motor 1/2 y 3/4 caballos de fuerza	Motor 1, 1 1/2 y 2 caballos de fuerza
Hasta 25 pies (7.62 m)	14 galones (52.99 l)	12 galones (45.42 l)
25 a 50 pies (7.62 a 15.24 m)	12 galones (45.42 l)	10 galones (37.85 l)
50 a 100 pies (15.24 a 30.48 m)	10 galones (37.85 l)	12 galones (45.42 l)

Cable de alimentación

Tipo de enchufe A/B

60 Hz 120 V

Este producto debe ser usado en un circuito de 120 V y debe tener conexión a tierra. Se debe usar un cable con un enchufe de conexión a tierra como el que se ilustra. No se debe usar ningún adaptador con este producto.



5. NO UTILICE UN GENERADOR COMO FUENTE DE ALIMENTACIÓN

Las compresoras de aire utilizan motores inductivos que requieren consumir un amperaje de carga completa de 3 a 5 veces más para arrancar correctamente. La mayoría de los generadores no producirán la potencia necesaria para arrancar correctamente este tipo de motor eléctrico.

6. REVISE LA TENSIÓN DE LOS PERNOS, LAS CORREAS Y LOS ACCESORIOS PERIÓDICAMENTE

Utilizar cualquier equipo con pernos o conexiones flojas producirá una vibración excesiva y la falla prematura de los componentes de control de la compresora.

7. MANTENGA LAS ALMOHADILLAS ANTIVIBRACIÓN DE HULE

La vibración excesiva es una causa principal de fallas prematuras de la compresora. Siempre mantenga las almohadillas antivibración de hule colocadas debajo de la unidad de tanque. Usar la unidad sin ellas anulará la garantía.

8. DRENE DIARIAMENTE LA HUMEDAD DE LOS TANQUES DE AIRE

El agua es un producto derivado natural del aire comprimido. Drene los tanques de aire después de cada uso a fin de combatir la corrosión interna de los mismos. Mantenga cerradas las válvulas de drenado si va a guardar la compresora durante algún tiempo.

ESPECIFICACIONES

	JC10PLUS		JC10PLUS
Caballos de fuerza	1.0	Capacidad del tanque	9.5 litros
Voltaje	120 V	Tiempo de bombeo a presión operativa (0-130 psi)	:55 seconds
Hercios	60 hZ	Tiempo de recuperación (100-130 psi)	:14 seconds
R.p.m. del motor	1700	Desplazamiento en pies ³ /min	5.3
Etapas	1	Salida de pies ³ a 90 psi	2.4
Intensidad de corriente	7.5	Dimensiones (LxWxH cm)	42x42x35
Protección térmica	Automático	Peso (kg)	20.4
Valores de fábrica	95 – 125 psi	Nivel de ruido (dBA)	60

OPERACIÓN

ADVERTENCIA: Su seguridad y el bienestar de otros durante la operación de todas las compresoras ROLAIR es nuestra principal preocupación. No haga funcionar la compresora de aire, ni permita que nadie más lo haga, hasta que haya leído y comprendido completamente la información de este manual. Comuníquese con su distribuidor o con nuestro departamento de servicio al cliente si tiene alguna pregunta acerca del uso correcto de su compresora de aire.

1. Use protección para los ojos.
2. Inspeccione la máquina para asegurarse de que los pernos estén ajustados, los amortiguadores de vibración estén seguros, el cable eléctrico esté sólido, los accesorios de compresión estén ajustados y el filtro de la toma de aire esté limpio, sólido y ajustadamente instalado.
3. Ubique el compresor en un sitio limpio y seco con mucha ventilación y alejado de vapores y gases volátiles. Nunca arranque la máquina con ninguna abertura de ventilación cubierta.
4. Abra lentamente el drenaje del tanque para quitar toda condensación que se haya acumulado. Mantenga el drenaje abierto durante 20 – 30 segundos después de arrancar el compresor para “calentar” el motor y la bomba.
5. Asegúrese de que la palanca del interruptor de presión esté en la posición “Off” (desconectado) antes de enchufar la máquina dentro de una toma de corriente correctamente conectada a tierra. Nunca desenchufe la máquina antes de haber llevado la palanca a la posición “Off” (desconectado).
6. Mueva la palanca a la posición “On” (conectado) y cierre el drenaje del tanque para aumentar la presión en el tanque después de permitir a la máquina calentarse durante unos pocos segundos con el drenaje abierto.
7. Sujete la manguera de aire solamente después de rotar la perilla de ajuste del regulador en el sentido contrario al de las agujas del reloj, para aliviar toda presión que se haya acumulado.
8. Rote la perilla de ajuste del regulador en el sentido horario hasta alcanzar la presión de trabajo deseada.
9. Cuando la tarea ha sido finalizada, rote la perilla de ajuste del regulador en el sentido contrario al de las agujas del reloj, para aliviar la presión antes de quitar la manguera de aire. Abra el drenaje lentamente para drenar la humedad y preparar para el arranque siguiente. Rote la palanca del interruptor de presión a la posición “Off” (desconectado) antes de desenchufar.
10. Almacene el compresor en un sitio templado y seco, y realice un mantenimiento tal como se indica en el manual.

NOTA: NO SOMETA AL COMPRESOR A UN USO CONTINUO. Los compresores de aire de la serie JC están clasificados para un ciclo de tarea de 70%. Si son operados por más de cuarenta minutos en una hora, el motor se recalienta y ocasiona que la protección contra sobrecarga interna apague el compresor. La protección contra sobrecarga también permite al motor arrancar automáticamente después de que el motor se haya enfriado suficientemente, lo que puede ocurrir inesperadamente. Por lo tanto, **NUNCA** deje el compresor de aire enchufado sin supervisión.

FUNCIONAMIENTO A GRANDES ALTITUDES:

Debido a una disminución de la presión atmosférica, las bombas de las compresoras de aire producen menos CFM (pies³/min) a mayor elevación. Como regla general, la salida disminuirá aproximadamente un tres por ciento por cada 1000 pies (304 m) de elevación. Además, puesto que a mayor elevación el aire es menos denso y no se enfría tan bien, los motores eléctricos no pueden someterse a la capacidad completa de amperaje de factor de servicio de placa de identificación y es posible que deban acondicionarse para evitar el sobrecalentamiento reiterado.

Es posible que las compresoras de acción directa o de mano fabricadas con válvulas de arranque en frío deban modificarse al funcionar a mayor elevación. Es posible que los carburadores de las compresoras de aire a gasolina también deban cambiarse para que funcionen adecuadamente a mayor elevación. Comuníquese con el departamento de servicio al cliente en nuestra fábrica si su compresora de aire que normalmente funciona de manera confiable deja de funcionar correctamente a mayor elevación.

MANTENIMIENTO

Su nueva compresora de aire representa la mejor ingeniería y construcción que están disponibles. Hasta la mejor maquinaria requiere mantenimiento periódico. Aplique el cronograma de mantenimiento y considere las sugerencias siguientes para mantener su compresora en condiciones óptimas.

NOTA: Siempre desconecte o apague la compresora y drene los tanques de aire completamente antes de intentar dar cualquier tipo de mantenimiento. Espere a que la compresora se enfríe antes de darle servicio.

- CONSEJOS DE MANTENIMIENTO:**
- 1) Utilice una solución de agua jabonosa para revisar si hay fugas de aire.
 - 2) Nunca limpie los filtros con un solvente inflamable.
 - 3) Reajuste los pernos del cabezal sólo después de que la bomba se haya enfriado.
 - 4) Mueva el motor 1/4 pulgada (0.63 cm) y vuelva a colocar las correas para aumentar la tensión de las mismas en las unidades eléctricas.
 - 5) Nunca aplique soldadura en los tanques de aire.

MANTENIMIENTO (continuación)

CRONOGRAMA DE MANTENIMIENTO

Recomendación	Diariamente	Semanalmente	Mensualmente	Trimestralmente	Anualmente
Revisar nivel de aceite	X				
Drenar humedad de los tanques	X				
Inspeccionar filtros de aire	X				
Revisar si hay ruido o vibración inusuales	X				
Inspeccionar la protección de la correa	X				
Revisar si hay fugas de aire o aceite	X				
Limpiar el exterior de la compresora de aire		X			
Revisar la condición de las almohadillas antivibración		X			
Ajustar/reajustar los pernos		X			
Revisar la tensión de la correa		X			
Revisar el funcionamiento de la válvula de seguridad		X			
Cambiar el aceite de la compresora			X		
Limpiar/cambiar el filtro de aire			X		
Realizar una prueba de tiempo de bombeo			X		
Revisar el funcionamiento de los controles del sistema				X	
Revisar los tanques en busca de fugas o abolladuras				X	
Inspección del tanque por un inspector certificado					X

REGISTRO DEL MANTENIMIENTO

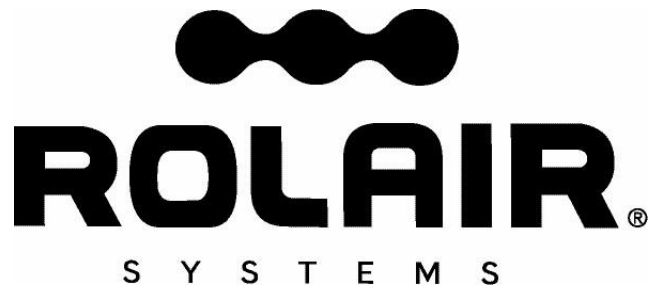
El mantenimiento de rutina es su responsabilidad y es necesario para maximizar la vida de su nuevo compresor de aire. Por favor, registre sus actividades de mantenimiento en la tabla que se encuentra aquí debajo y lleve esta información con usted en caso de requerir servicio bajo garantía.

Fecha	Horas de uso	Realizar una prueba del tiempo de bombeado	Inspeccionar la integridad del recipiente de la toma de aire.	Examinar el elemento de la toma de aire.	Usar una solución de jabón y agua para identificar fugas.	Varios Ajustar pernos, reemplazar amortiguadores de vibración, etc.

SOLUCIÓN DE PROBLEMAS

ADVERTENCIA: Asegúrese de entender completamente todas las advertencias de seguridad y el funcionamiento de cada componente de control del sistema antes de intentar cualquier mantenimiento o reparación. Siempre drene el tanque de presión completamente, asegúrese de que el cable de alimentación esté desconectado y que la unidad tenga tiempo de enfriarse antes de realizar cualquier operación de mantenimiento o servicio.

PROBLEMA	CAUSA	SOLUCIÓN
El motor no hace ruido cuando se aplica energía.	La presión del tanque se encuentra en el máximo.	Drenar por debajo de 655 kPa (95 PSI) para volver a arrancar.
	La protección contra sobrecarga automática ha detenido el compresor debido a sobrecalentamiento.	Desenchufar, drenar la presión del tanque y dejar enfriar antes de volver a arrancar. Evaluar la alimentación de energía y el alargador eléctrico usados.
El motor hace un zumbido pero no arranca/funciona.	El bobinado del motor está quemado.	Llevar al servicio. Evaluar la alimentación de energía y el ciclo de tarea.
	El capacitor (condensador) ha fallado.	Reemplazar y volver a examinar.
El motor funciona pero la bomba no alcanza la selección de presión máxima de 861 kPa (125 PSI)	Fugas externas excesivas en el drenaje del tanque, regulador, mangueras, etc.	Usar una solución de jabón y agua para identificar y corregir las fugas.
	Válvula rota, junta estallada u otro problema interno.	Inspeccionar las placas de la válvula o llevar al servicio.
La unidad no mantiene la presión en el tanque luego de detenerse en 861 kPa (125 PSI) y tiene fugas continuamente en la válvula de escape del interruptor de presión.	El disco y el resorte en el interior de la válvula de retención no están sellando.	Drenar la presión del tanque completamente. Desenroscar la tapa de inspección de la válvula de retención y limpiar los residuos del disco.
La unidad funciona excelentemente durante aproximadamente una hora antes de detenerse de repente.	Fugas externas excesivas en la unidad o en la manguera/los accesorios para el aire.	Usar una solución de jabón y agua para identificar y corregir las fugas.
	La unidad es demasiado pequeña o está funcionando por encima del 70% del ciclo de trabajo.	Usar un compresor de aire más grande para esta aplicación.
La bomba aumenta la presión del tanque por encima de 861 kPa (125 PSI), causando que la válvula de seguridad salte/estalle.	Los contactos del interruptor de presión están juntamente unidos.	Desenchufar, inspeccionar los contactos y reemplazar el interruptor de presión en caso de ser necesario.
	El puerto del interruptor de presión está taponado con hielo o residuos.	Llevar al interior para descongelar el agua de drenaje del tanque y volver a arrancar o llevar al servicio.
El compresor es más ruidoso que lo normal y más lento al aumentar la presión.	Válvula rota, falla de rodamiento o residuos en el interior de la bomba.	Inspeccionar las placas de la válvula y la parte superior del pistón o llevar al servicio.



Garantía

Associate Engineering Corporation garantiza que todas las compresoras ROLAIR estarán libres de defectos de material y mano de obra durante un periodo de 12 meses a partir de la fecha de la compra original al minorista, o 18 meses a partir de la fecha de fabricación, lo que ocurra primero.

Cuando se informe cualquier inconformidad del producto con esta garantía dentro del periodo mencionado, la empresa corregirá dicha inconformidad mediante la reparación correspondiente o, a su propia discreción, mediante una parte de reemplazo con cotización F.O.B. en nuestra fábrica, después de que el comprador haya enviado la compresora a nuestra planta con flete prepago.

Associate Engineering Corporation no será responsable de las reparaciones, reemplazos y ajustes de la compresora que no hayan sido autorizados, ni de los costos de mano de obra realizada por el comprador.

Esta garantía sustituye expresamente todas las demás garantías expresas, implícitas o legales (lo que incluye, entre otras, las garantías de comerciabilidad y de idoneidad para un fin específico) y todas las demás obligaciones y/o responsabilidades por parte de Associate Engineering Corporation. Associate Engineering Corporation tampoco asume, ni autoriza a otras personas para que asuman en su nombre, cualquier otra obligación o responsabilidad relacionada con cualquier compresora.

Associate Engineering Corporation no será responsable, en ningún caso, de los daños consecuentes, incidentales o especiales ni de la selección incorrecta de cualquier compresora para una aplicación específica.

Calidad

Associate Engineering Corporation está comprometida con el control de calidad continuo y la investigación exhaustiva de los productos que fabricamos. Nuestro propósito es brindarle a usted, el usuario, toda la experiencia e ingeniería disponible en la producción de cada pieza de equipo que producimos.

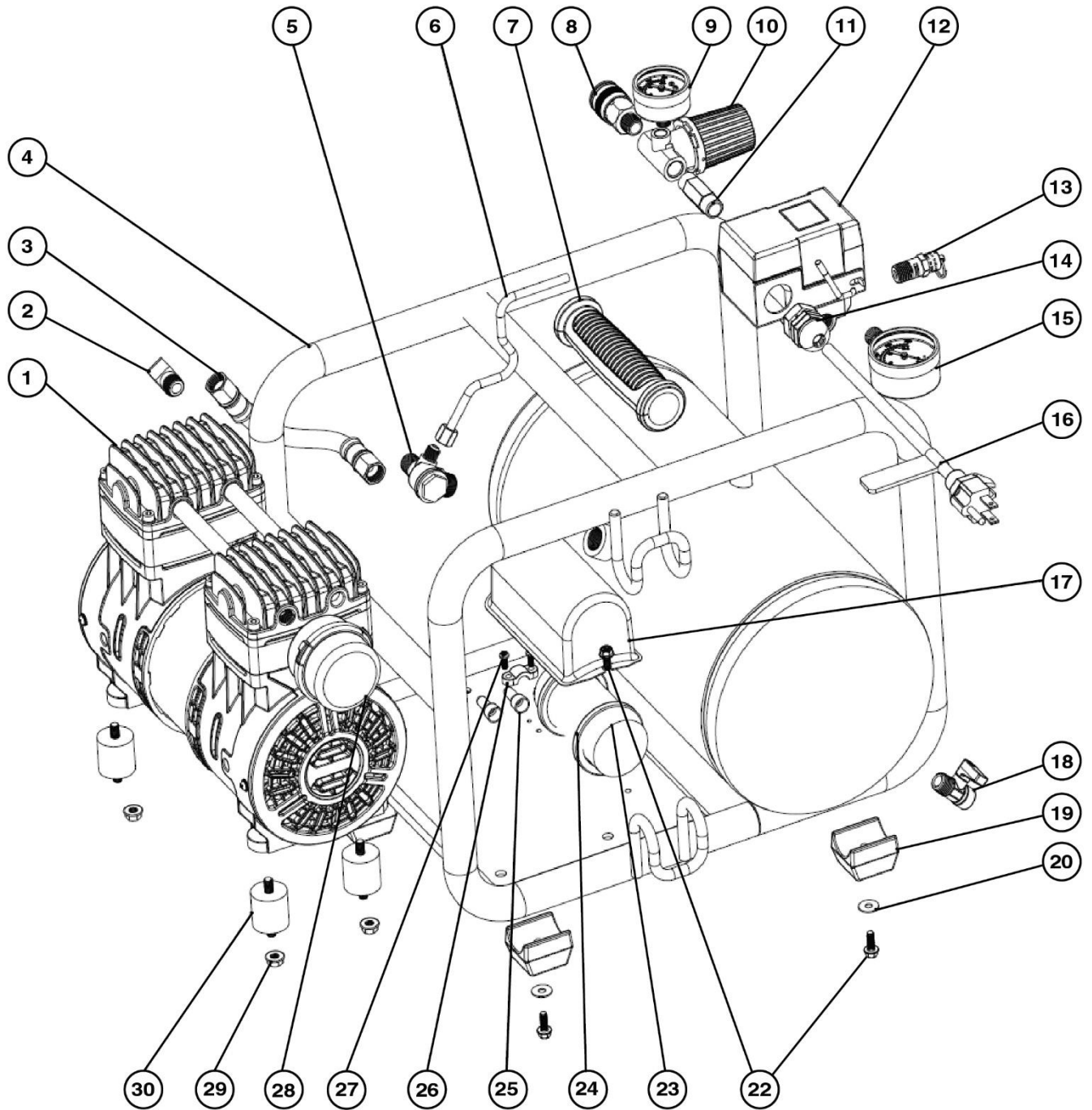
Nuestra línea cubre todas las necesidades del variado uso de aire de la actualidad. Confíe en ROLAIR para obtener las mejores y más recientes funciones que están disponibles en las compresoras modernas.

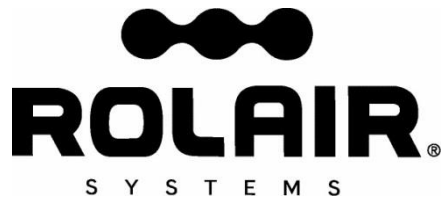




ROLAIR

SCHEMATIC FOR MODEL JC10PLUS





PARTS LIST FOR MODEL JC10PLUS

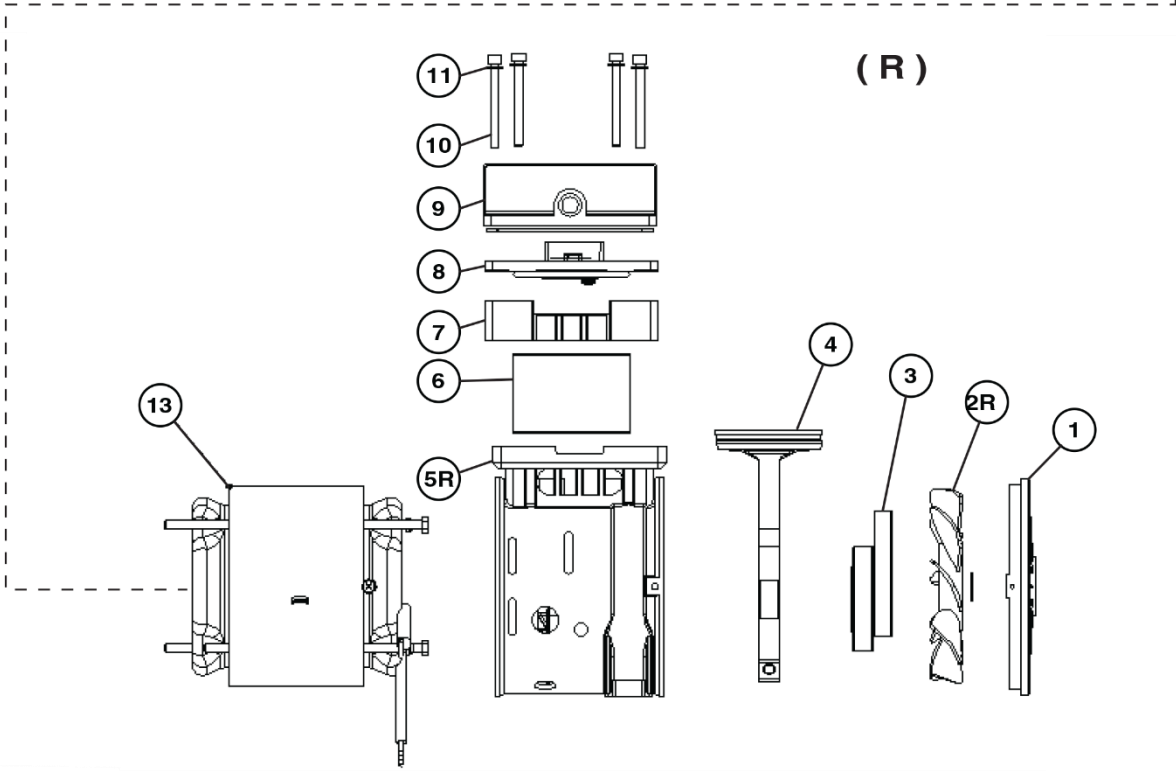
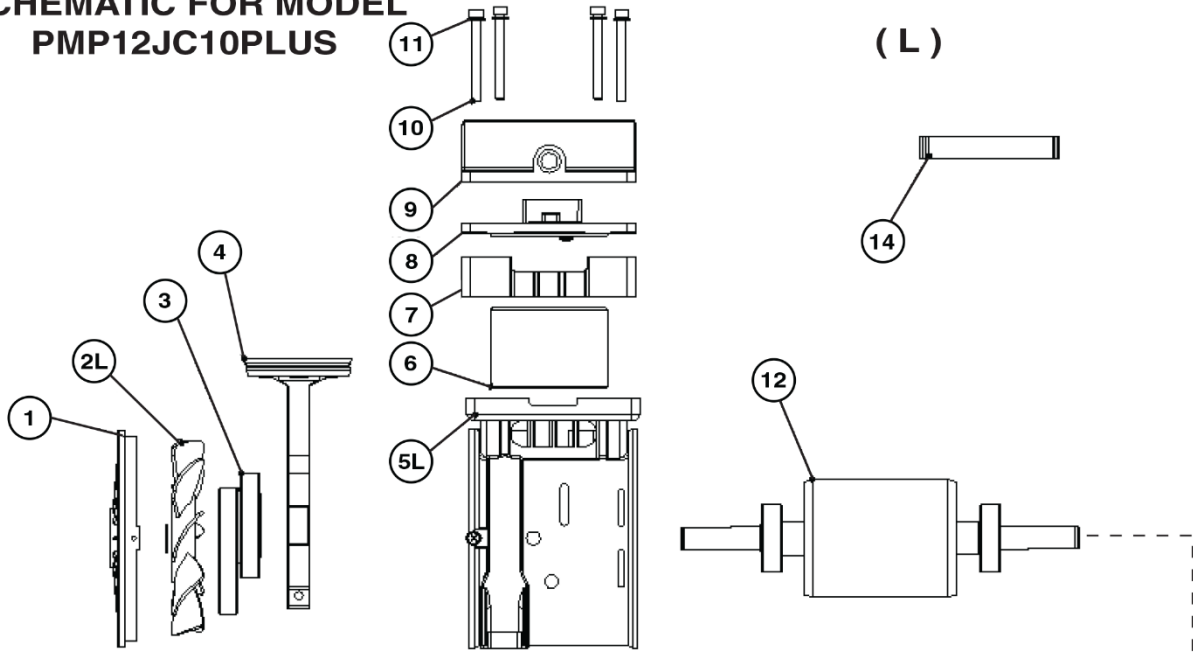
Schem #	Description	Part #	Qty.
1	Complete Motor/Pump Assembly	U1200	1
2	Brass Elbow	U1011	1
3	Braided Discharge Tube	U1012	1
4	Tank Assembly	JC10P4	1
5	Check Valve	JC10P33	1
6	Unloader Line Assembly	JC10P6	1
7	Handle Grip	JC10P7	1
8	Quick Disconnect	U9001	1
9	Gauge-Line	U3001	1
10	Regulator	U3002	1
11	Nipple	U5003	1
12	Pressure Switch	U6005	1
13	Safety Relief Valve	U6004	1
14	Box Connector	JC10P14	1
15	Gauge-Tank	JC10P15	1
16	Cord with Plug	U5001	1
17	Cover – Capacitor	JC10P17	1
18	Drain Valve	U6002	1
19	Rubber Foot	JC10P19	4
20	Washer	JC10P20	4
22	Screw	JC10P22	6
23	Capacitor	JC10P23	1
24	Clamp Ring	JC10P24	2
25	Connector	JC10P25	2
26	Wire Clamp	JC10P26	2
27	Screw	JC10P27	2
28	Intake Filter	U4001	1
29	Nut	U5002	4
30	Vibration Dampers	U6003	4



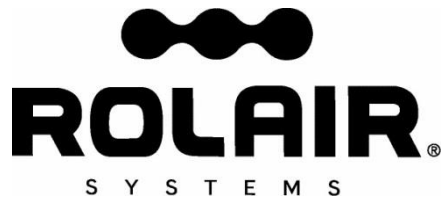


ROLAIR

SCHEMATIC FOR MODEL PMP12JC10PLUS



(L) (R) Denotes side of motor/pump when viewed from back or with Tank and Pressure Switch in front of motor/pump.



PARTS LIST FOR MODEL PMP12JC10PLUS

Schem #	Description	Part #	Qty.
1	Motor Cover	JC10P28	2
2L	Fan (left side only)	U1002	1
2R	Fan (right side only)	U1003	1
3	Eccentric	U1004	2
4	Connecting Rod/Piston Assembly	JC10P5	2
5L	Crankcase (left side only)	JC10P29	1
5R	Crankcase (right side only)	JC10P30	1
6	Cylinder	JC10P8	2
7	Spacer – Cylinder	JC10P9	2
8	Valve Plate Assembly	JC10P10	2
9	Head	JC10P31	2
10	Head Bolt	JC10P16	8
11	Washer	JC10P18	8
12	Rotor*	N/A	1
13	Stator*	N/A	1
14	Connecting Tube	JC10P32	2

* Rotor & Stator are not cost effective to replace. Order complete motor/pump instead, part #U1200.