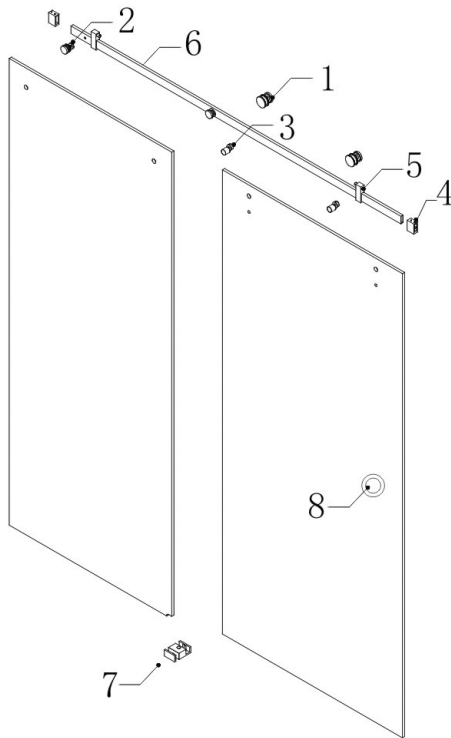


Aqua 01 SERIES SLIDING DOOR KIT



► Detailed Diagram of Shower Door Components

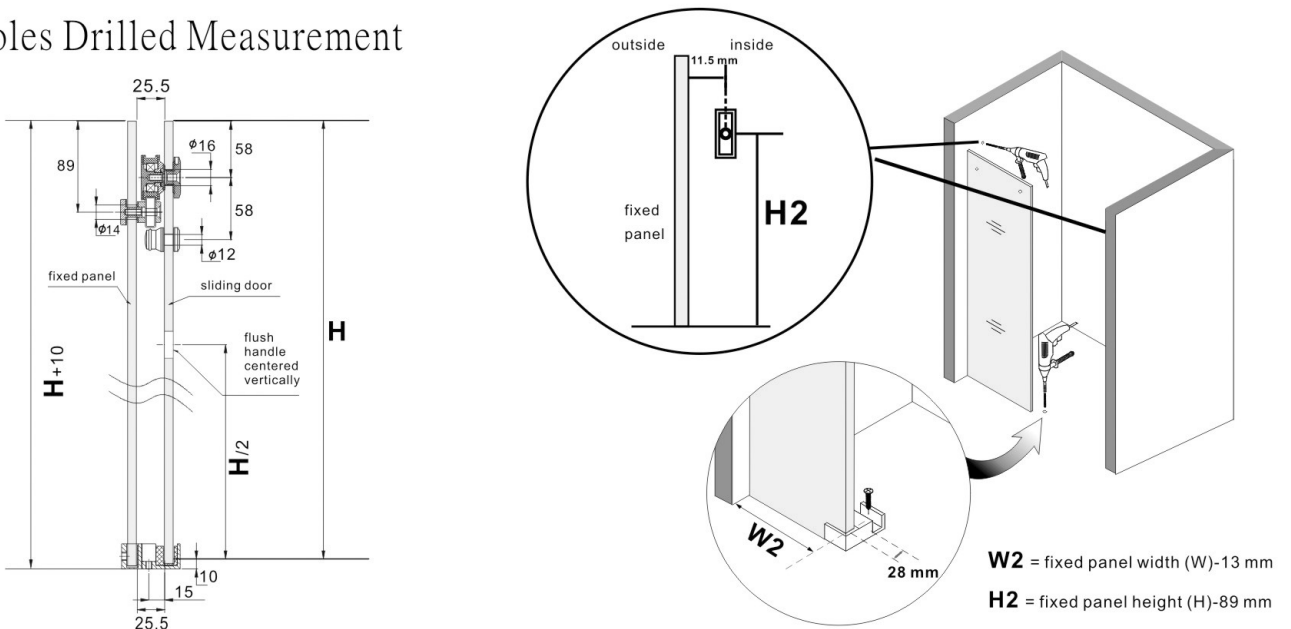


Parts List			
#	Name	Pic	Qty
1	Roller		2
2	Fixing clip		2
3	Anti-jump		2
4	Rail connector		2
5	Stopper		2
6	Rail		1
7	Guide		1
8	Handle		1

► Preparation



► Holes Drilled Measurement



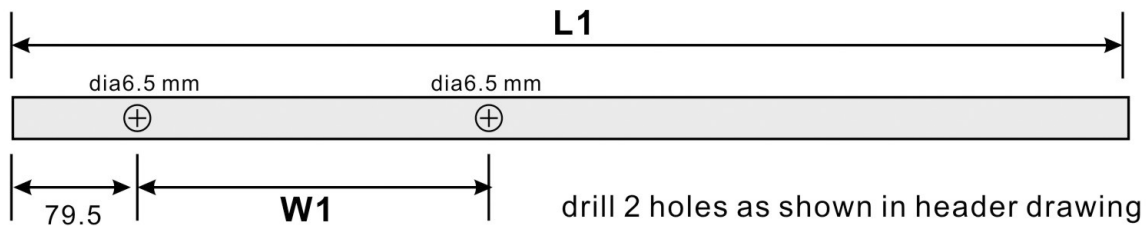
Aqua 01 SERIES SLIDING DOOR KIT

► Header Measurement

L = Over Width

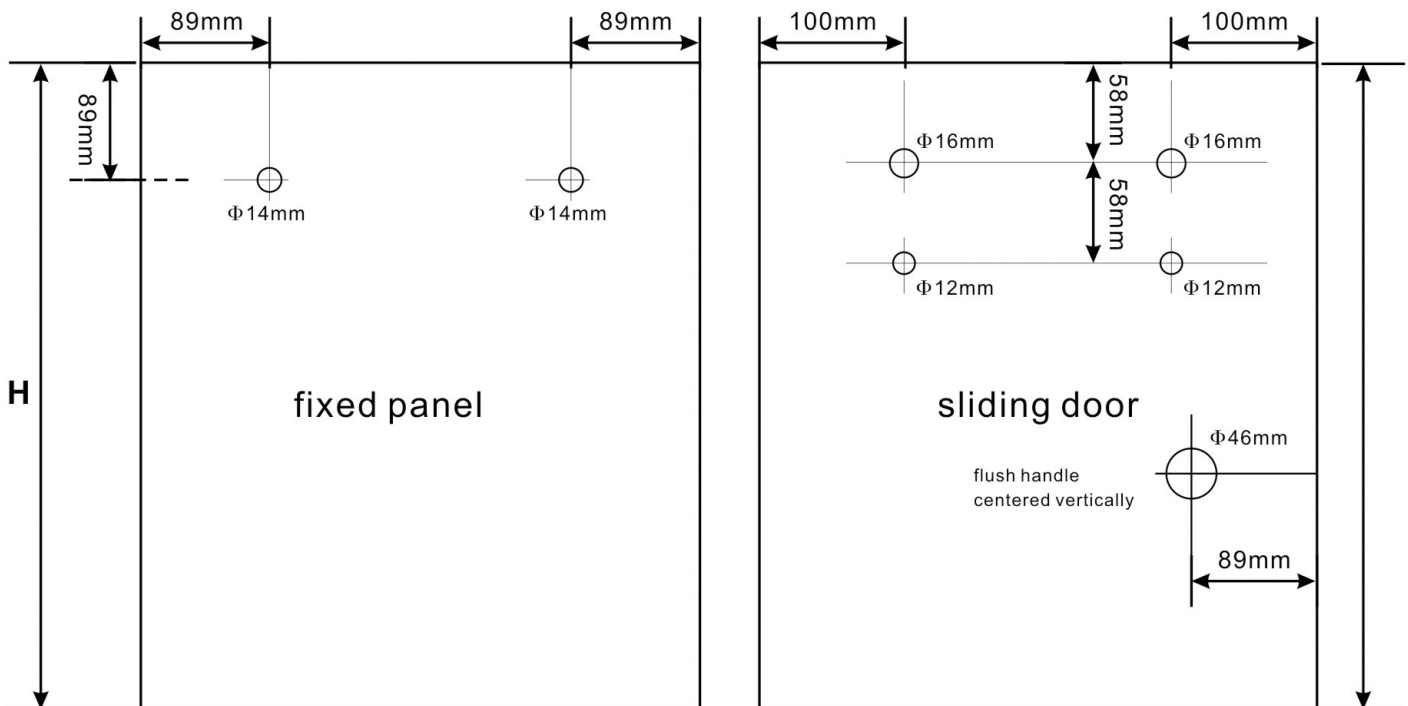
Header Size (**L1**) = **L**-25 mm

W1 = fixed panel width (W)-178mm



► Glass Measurement

fixed/sliding panel (**W**) = $L/2 + 22$ mm



sliding door height = fixed panel (H)-10mm

Fit for 8-10mm glass