



FIORO

STYLISH PULL-OUT SHELVES

THE PERFECT SOLUTION FOR CLEVER STORAGE

Fioro offers both an aesthetic and functional solution allowing anyone to have outstanding design on the inside of their cabinets too. The pull-out shelves can now harmonize with the other elements of decor in the living space and as a whole create an overall effect of well-balanced design and comfort.

WALL & PANTRY UNITS

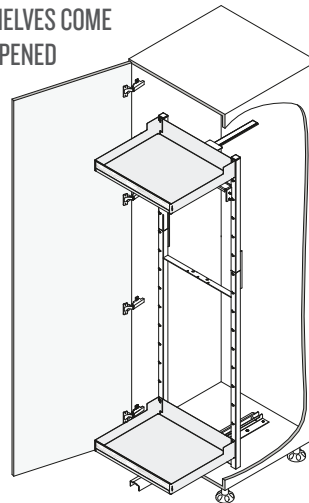
PLENO

- Opening angle: 110°
- Load capacity: 220 lb (100 kg)
- Finish: dark gray and natural oak

COMPLETE SET INCLUDES

- 6 Fioro pantry shelves with oak railings and anti-slip mats
- Bottom and top frame
- Door connectors
- 1 upper and lower slide (with integrated soft-open)

UNIQUE SYSTEM WHERE THE SHELVES COME TOWARD YOU AS THE DOOR IS OPENED



No.	Product width	Min. interior dimensions (D x H)
10988906	15 3/4" (400 mm)	16 1/4" x 74 13/16" (412 x 1900 mm)
10989906	21 5/8" (550 mm)	22 1/8" x 74 13/16" (562 x 1900 mm)



CANADA

Tel.: 1 800 361-6000
Fax: 1 800 363-0193

UNITED STATES

Tel.: 1 800 619-5446
Fax: 1 800 876-7454

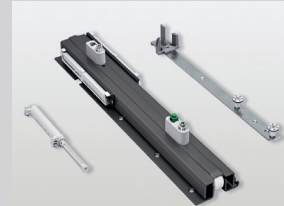
PULL-OUT PANTRY SYSTEM

THE HANDY PULL-OUT FOR PRACTICAL KITCHENS

- Load capacity: 220 lb (100 kg) or 265 lb (120 kg) depending on the drawer slide used
- Min. installation depth: 19 7/8" (505 mm)
- Finish: dark gray and natural oak



- Access from two sides
- Height adjustable shelves to maximize storage space



- ClickFixx device for easy and quick assembly
- Soft, quiet opening and closing

REQUIRED PRODUCTS FOR A COMPLETE SET

- 1 tubular frame
- 1 set of Fiore pantry slides
- 1 pair of Fiore front brackets
- Set of 4 Fiore pantry shelves *
- Desired # of individual shelves (additional) **

* The shelves set includes 4 shelves with 3 3/8" (87 mm) high oak rail and anti-slip mats.

** Individual shelves with oak profiles of 3 3/8" (87 mm) high and anti-slip mat.

BASE CABINETS

SNELLO BASE UNIT PULL-OUT SYSTEM

- Min. installation height/depth: 20 1/2" x 18 11/16" (520 x 475 mm)
- Finish: dark gray and natural oak

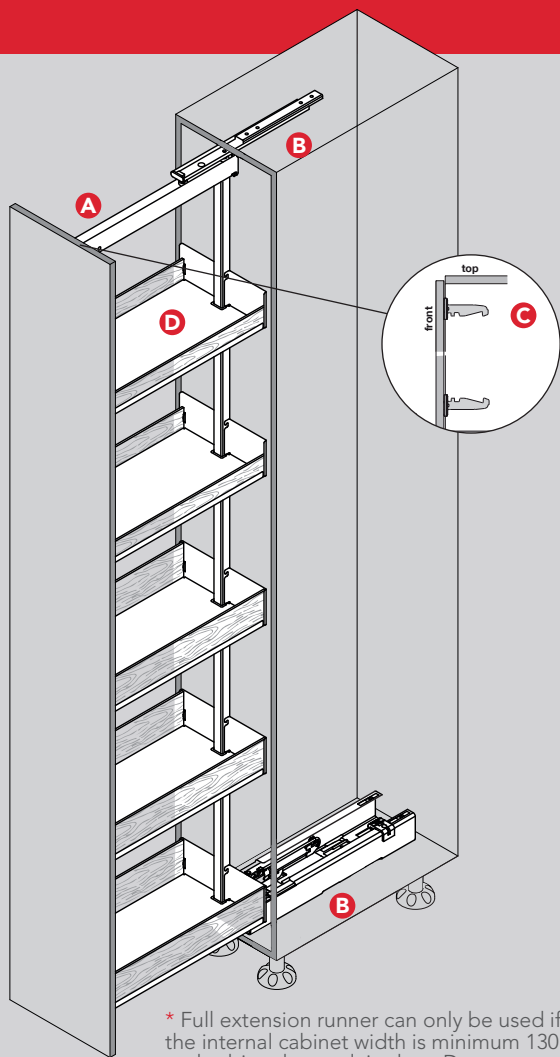
Includes Fiore clip-on shelves, wooden oak rails, full extension soft-close slides, and anti slip mats



Towel rack features non-slip coating and container



Ref.	No.	Product width	Min. int. width	Load capacity
A	22118906	4 5/16" (110 mm)	4 7/16" (112 mm)	33 lb (15 kg)
A	22119906	6 1/4" (160 mm)	6 3/8" (162 mm)	44 lb (20 kg)
A	22120906	10 1/4" (260 mm)	10 5/16" (262 mm)	44 lb (20 kg)
B	22121906	4 5/16" (110 mm)	4 7/16" (112 mm)	33 lb (15 kg)



* Full extension runner can only be used if the internal cabinet width is minimum 130 mm and cabinet has a plain door. Does not work with a shaker door style.

FRAMES

Ref.	No.	Interior height	Recommended # of shelves
A	10592906	47 1/4" - 63" (1200 - 1600 mm)	4
	10594906	63" - 78 3/4" (1600 - 2000 mm)	5 to 6
	10596906	71 1/16" - 89" (1805 - 2260 mm)	6

SLIDES

Ref.	No.	Product width	Qty/Box
B	10922906	Partial extension (3/4), 220 lb (100 kg)	1 box
	10874906 *	Full extension, 265 lb (120 kg)	1 box

FRONT BRACKET

Ref.	No.	Product width	Interior width	Qty/Box
C	10892906	3 15/16" (100 mm)	4 7/16" (112 mm)	1 pair
	10585906	9 13/16" (250 mm)	10 1/4" (262 mm)	1 pair
	10586906	13 3/4" (350 mm)	14 1/4" (362 mm)	1 pair
	11000906	15 3/4" (400 mm)	16 1/4" (412 mm)	1 pair

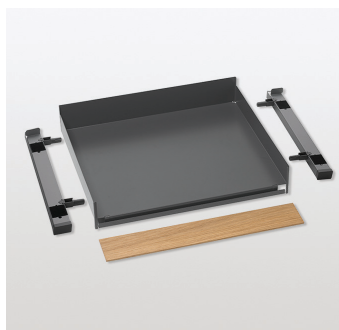
SHELVES

Ref.	No.	Product width	Interior width	Qty/Box
D	10995906	3 15/16" (100 mm)	4 7/16" (112 mm)	Box of 4
	11001906			Per unit
	10980906	9 13/16" (250 mm)	10 1/4" (262 mm)	Box of 4
	10981906			Per unit
	10984906	13 3/4" (350 mm)	14 1/4" (362 mm)	Box of 4
	10985906			Per unit
	10986906	15 3/4" (400 mm)	16 1/4" (412 mm)	Box of 4
	10987906			Per unit

EXTENDO BASE UNIT PULL-OUT SYSTEM

- Versatile system for anywhere you need a pull-out shelf
- Min. installation height/depth: 4 3/4" x 20" (120 x 508 mm)
- Finish: dark gray and natural oak

Includes 1 Fiore shelf, 1 oak railing, 1 pair of universal adapters for compatible slides, and anti-slip mat



No.	Product width	Min. int. width
22125906	15 3/4" (400 mm)	16 1/4" to 16 7/16" (412 to 418 mm)
22126906	21 5/8" (550 mm)	22 1/8" to 22 3/8" (562 to 568 mm)
22127906	33 7/16" (850 mm)	33 15/16" to 34 3/16" (862 to 868 mm)

Slides ordered separately

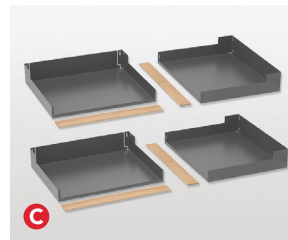
CORNER CABINETS

MAGIC CORNER

The perfect solution to make the best use of space in your corner cabinet. Just swing the door and the front shelves to one side and the back shelves automatically slide forward, giving you total access to all the items stored.

- Available in two versions:
 - Magic Corner: door mount installation
 - Magic Corner II: hinged door installation
- Shelves can be easily removed for cleaning
- The shelves include an oak profile and anti-slip mat
- Integrated soft-close mechanism
- Finish: dark gray and natural oak

Ref.	No.	Description	Min. int. width
MAGIC CORNER - DOOR MOUNT INSTALLATION			
A	30826906	Frame 900, left handed	33 7/8" to 38 1/4" (860 to 971 mm)
A	30831906	Frame 900, right handed	33 7/8" to 38 1/4" (860 to 971 mm)
C	31010906	Shelves (set of 4) 450 mm door	15 9/16" (395 mm) door opening
MAGIC CORNER II - HINGED MOUNT INSTALLATION			
B	30581906	Frame 900, left handed	33 15/16" to 38 1/4" (862 to 971 mm)
B	30580906	Frame 900, right handed	33 15/16" to 38 1/4" (862 to 971 mm)
B	30583906	Frame 1000, left handed	37 7/8" to 46 1/8" (962 to 1171 mm)
B	30582906	Frame 1000, right handed	37 7/8" to 46 1/8" (962 to 1171 mm)
C	31007906	Shelves (set of 4) 450 mm door	15 9/16" (395 mm) door opening
C	31008906	Shelves (set of 4) 500 mm door	17 1/2" (444 mm) door opening
C	31009906	Shelves (set of 4) 500 to 550 mm door	19 7/16" (494 mm) door opening



ACCESSORIES



**MAGNETIC
SHELF
DIVIDER**

Keeps items in place and creates shelf sections, by attaching to side or base.

No. 10706906 (set of 4)

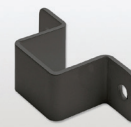


**EXTRA
PANTRY
HOOKS**

*For use with the pantry frames only

Enables the installation of additional shelves on the frame when adjusted to the maximum height.

No. 10163906 (1 pair)



**PANTRY
FRONT
STABILIZER**

*For use with the pantry frames only

This bracket is used to increase the stability of the frame on the front panel door.

No. 10142906

