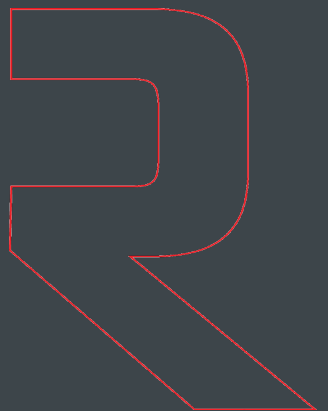


Liberta 25 program



Profile preparation

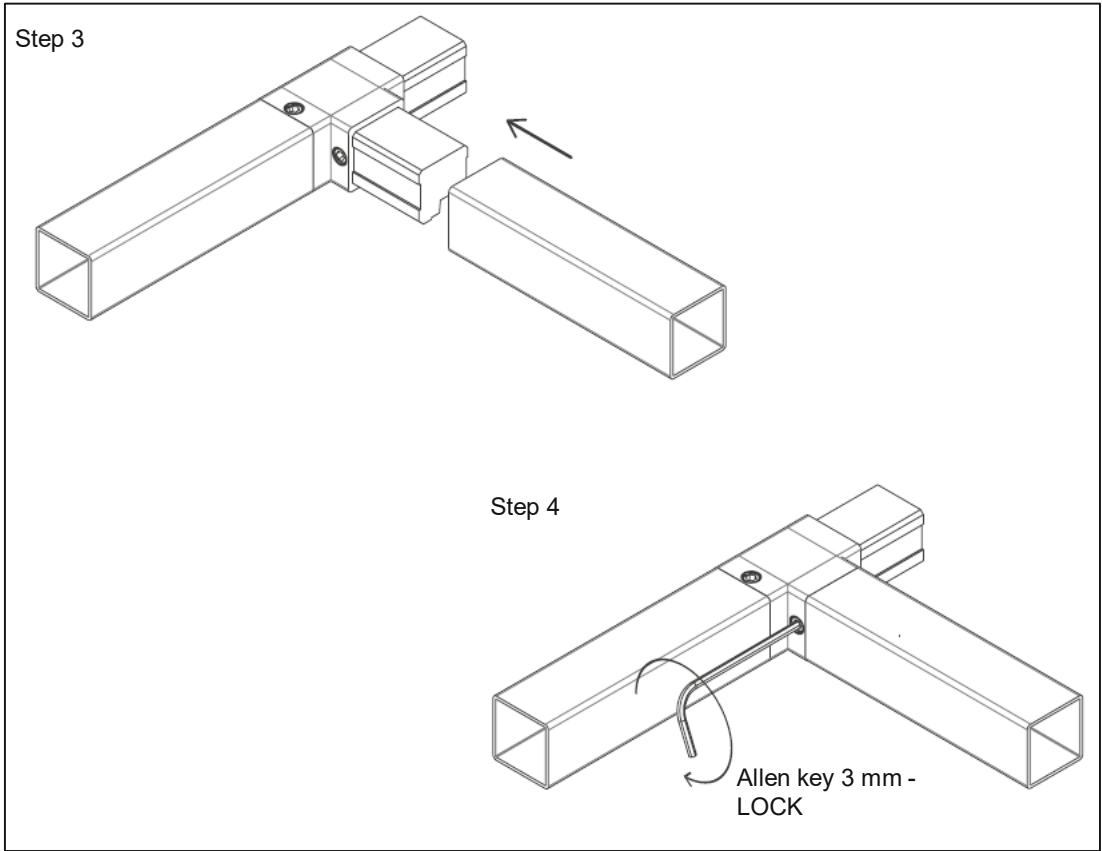
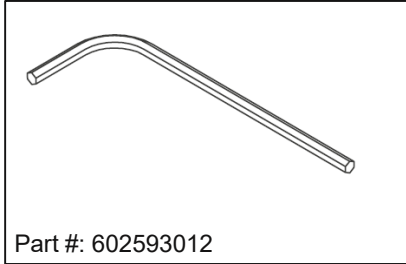
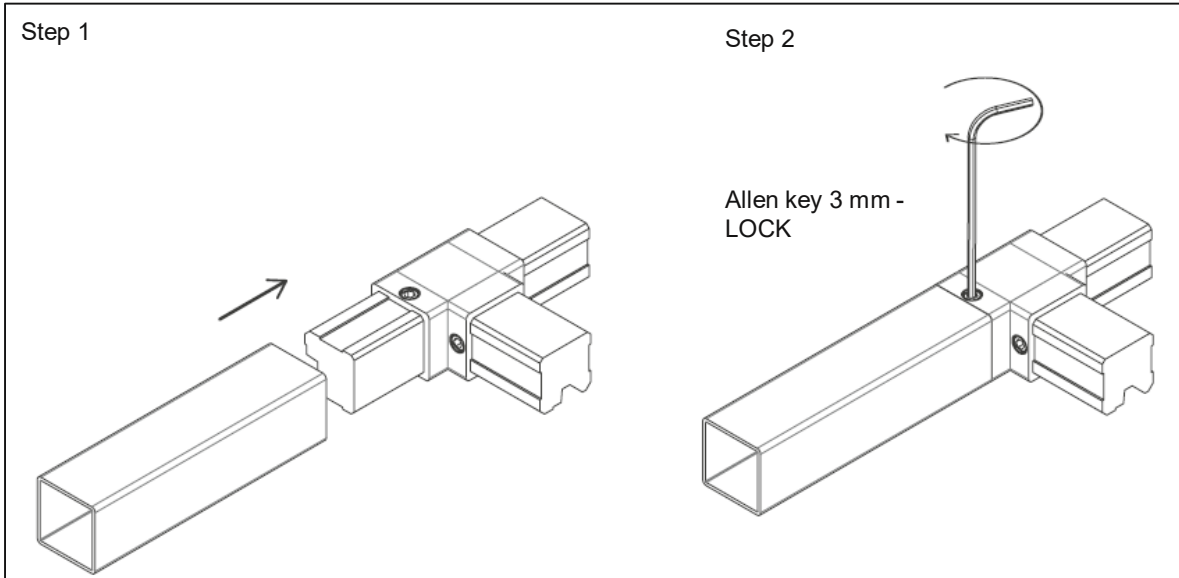
- Liberta 25: 25 x 25 mm, 1.2 mm thickness, ideal for heavy duty applications. Can be easily cut to size.

To cut the profile at the requested length, you have to subtract from the total length 25 mm per connector.

Example, if you need to make a cube of 300 mm, each profile will be $300-25-25= 250$ mm.

For the 25 x 25 connectors, you don't need to drill the profile and this is a great advantage. All you need to do is to insert the connector into the profile and tighten the screw head.

Profile preparation

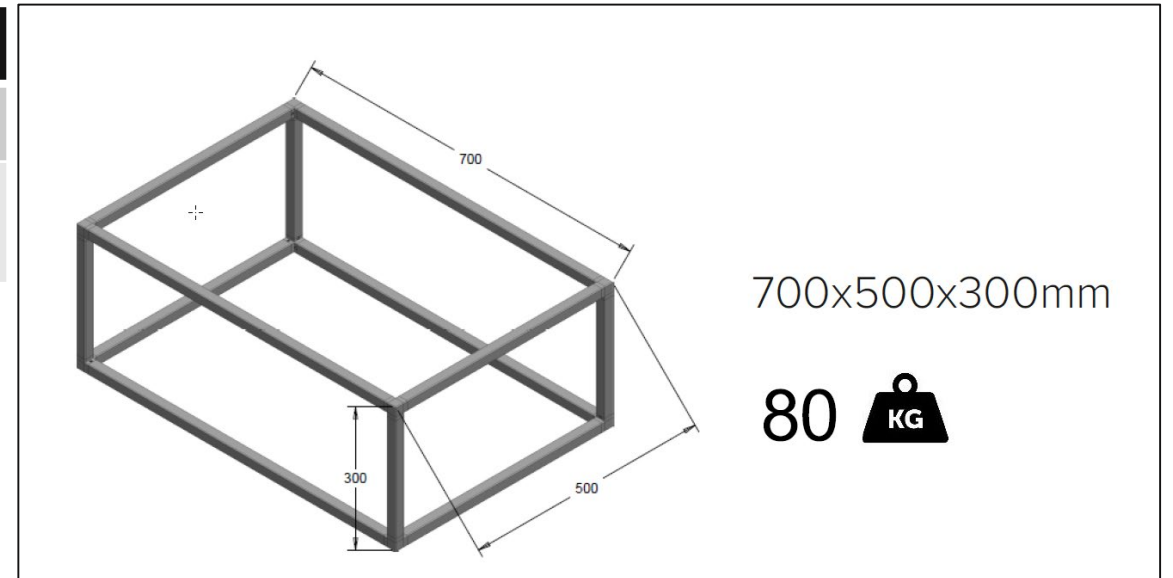


Key technical information

Connectors:

The specified load capacity includes all components (connectors and profiles).

	Specifications
Max. distance between 2 connectors	1000 mm (3,3 pi)
Max. loading capacity w/above max. distance	80 kg / 170 lb



Shelf installation

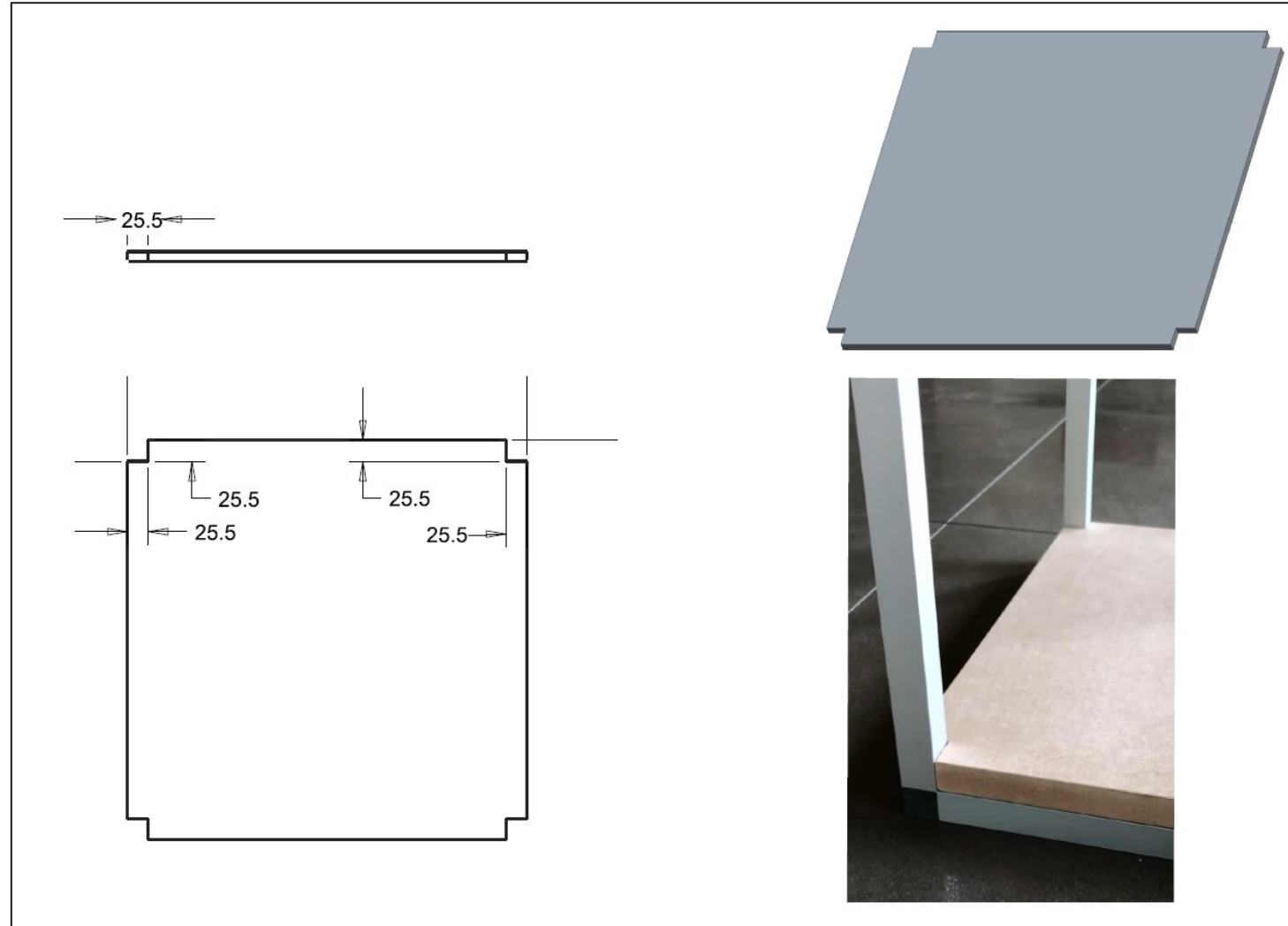
4 options:

1. Above the profile.
2. Aligned with the profile, with the help of the profiles with shelf holder: 602540906, 602540900, 60254010.
3. Intermediary shelf (with rivet): notch the shelf and install directly on the shelf supports.
4. Underneath the profile, glue it!



Shelf installation- Option

Option #1 – Lay on shelf



Shelf installation- Option

Option #2

- Wooden shelf:

19 mm (3/4"): possibility of installing 19 mm (3/4") shelve , you just need to groove the underside of the panel; 5 mm (3/16") deep and 4 mm (5/32") height.

- Glass shelf:

6 mm (1/4"): installation of glass shelve can also be specified. A slight offset will occur between the top of the profile and the glass which will secure the items on the glass.

Profile can easily be cut to size. For a perfect cut, use a mitter saw at recommended cutting speed of 2000 r/min.



Applications

- Bookcase shelving system.
- Furniture making the transition between the kitchen and the living room.
- Base cabinet.



Applications



Thank you
