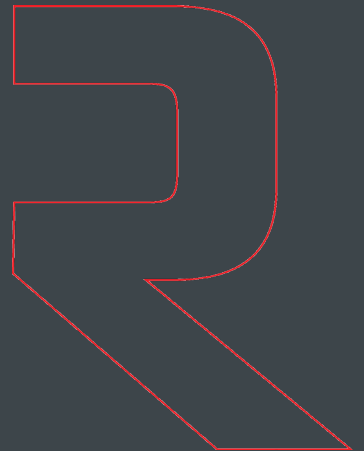


# Liberta 20 program

---



## Profile preparation

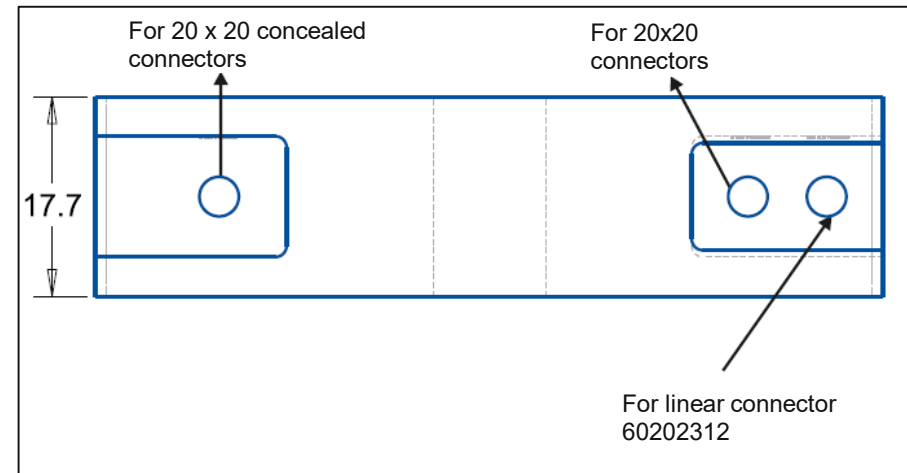
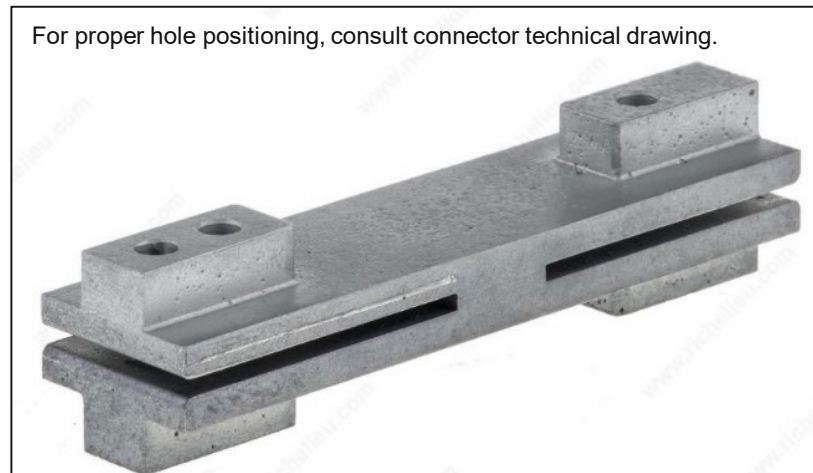
- LIBERTA 20 : 20 x 20 mm, 1 mm thickness, ideal for light duty and medium duty applications.

To cut the profile at the requested length, you have to subtract from the total length 20 mm per connector.

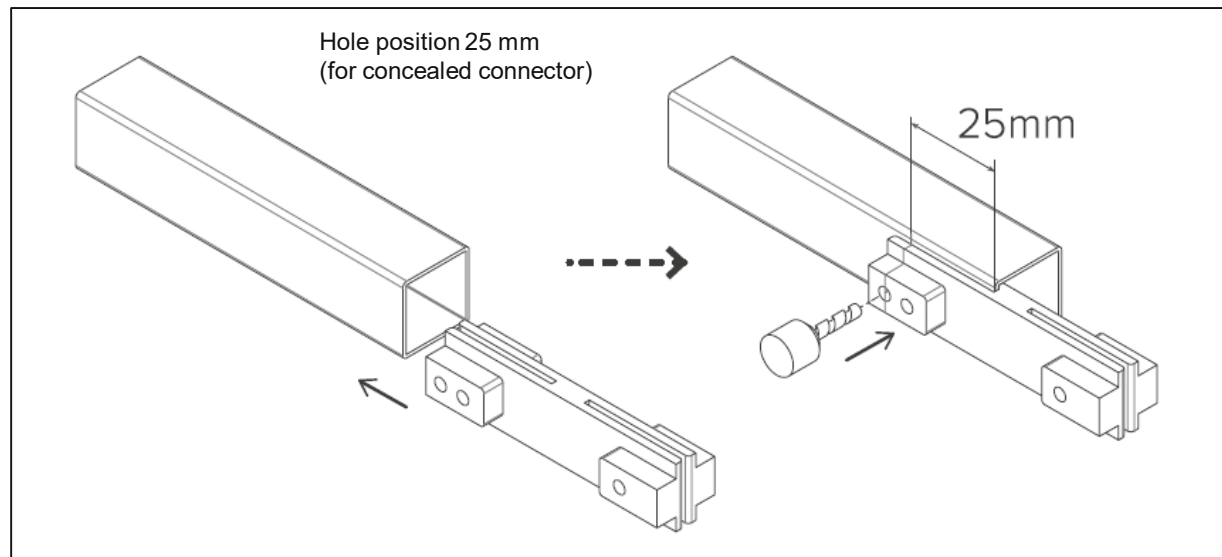
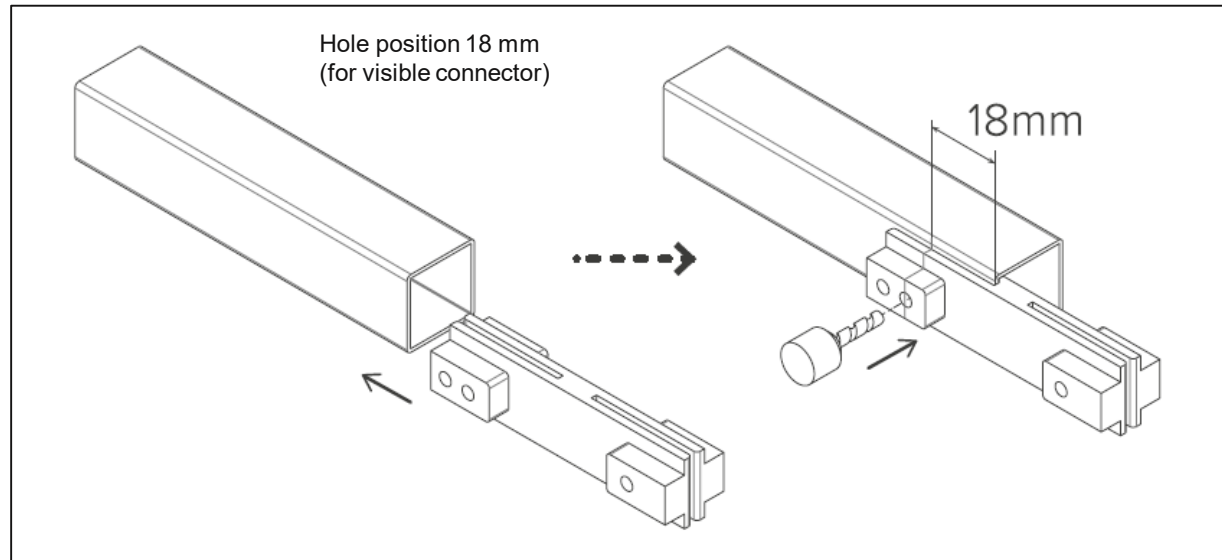
Example, if you need to make a cube of 300 mm, each profile will be  $300 - 20 - 20 = 260$  mm.

Once you cut the profile to size you need to drill it properly using template #602092012.

Then simply, you just have to insert the connector into the profile and screw it.



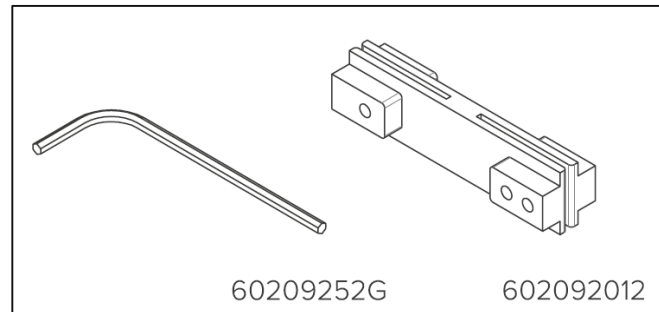
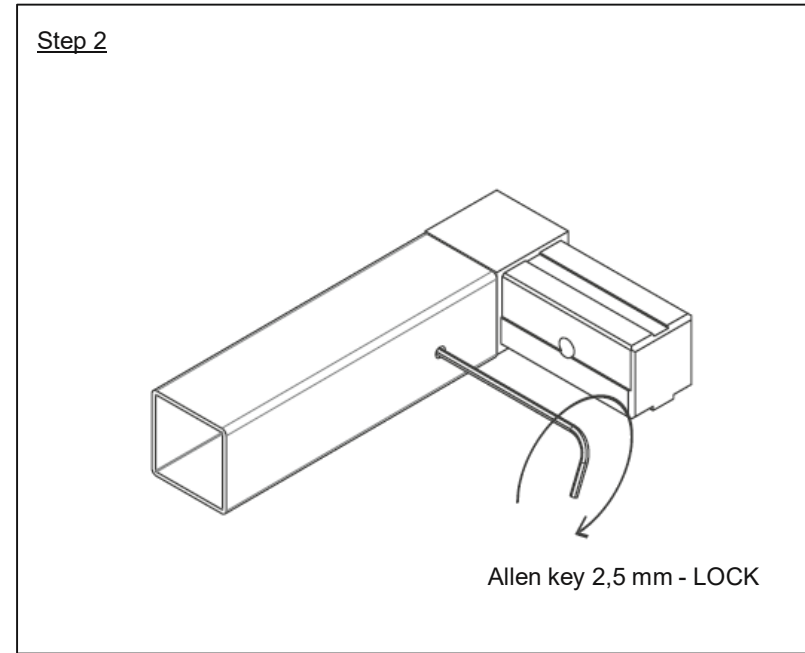
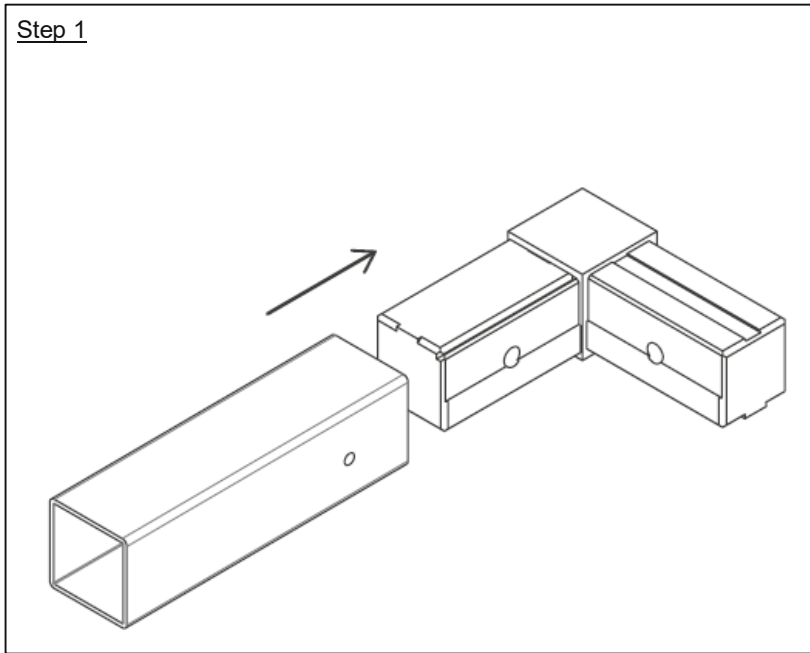
# Profile preparation



# Profile preparation

Connectors:

- Step 2: insert the profile

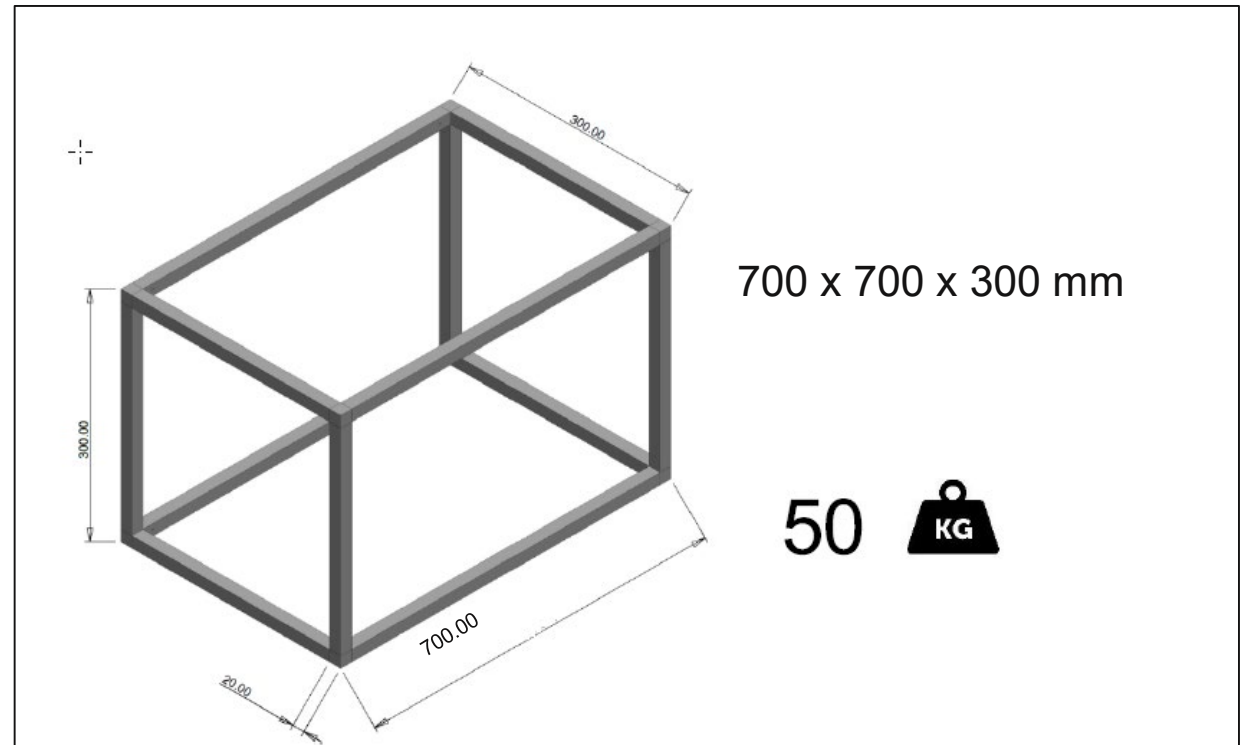


# Key technical information

Connectors:

The specified load capacity includes all components (connectors and profiles).

	Specifications
Max. distance between 2 connectors	700 mm (2,3 pi)
Max. loading capacity w/ above max. distance	50 kg / 88 lb



## Shelf installation

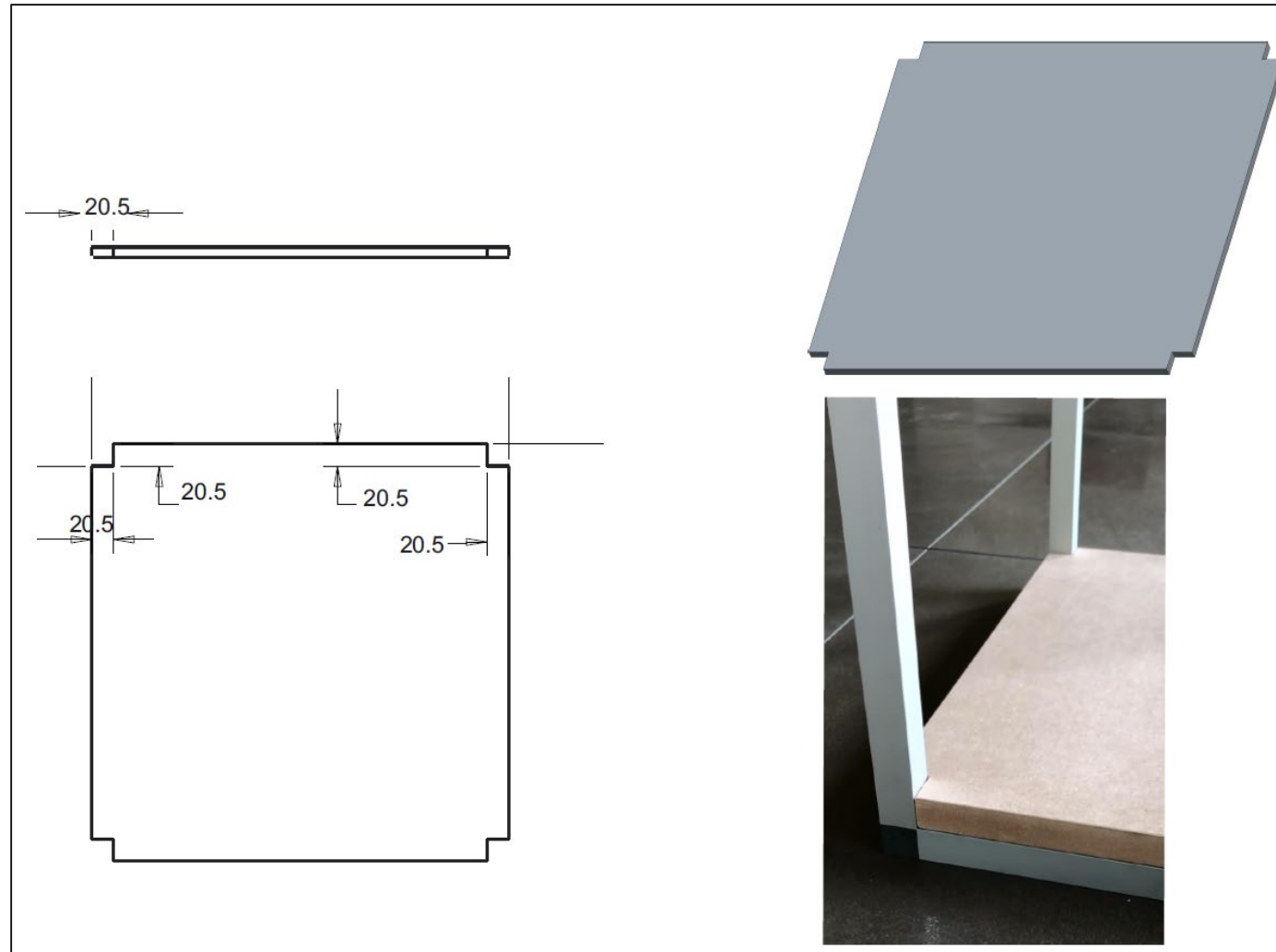
4 options:

1. Above the profile.
2. Aligned with the profile, with the help of the profiles with shelf holder: 602040906, 602040900, 60204010.
3. Intermediary shelf (with rivet): notch the shelf and install directly on the shelf supports.
4. Underneath the profile, glue it!



## Shelf installation option

### Option #1 – Lay on shelf



## Shelf installation option

### Option #2

- Wooden shelf:

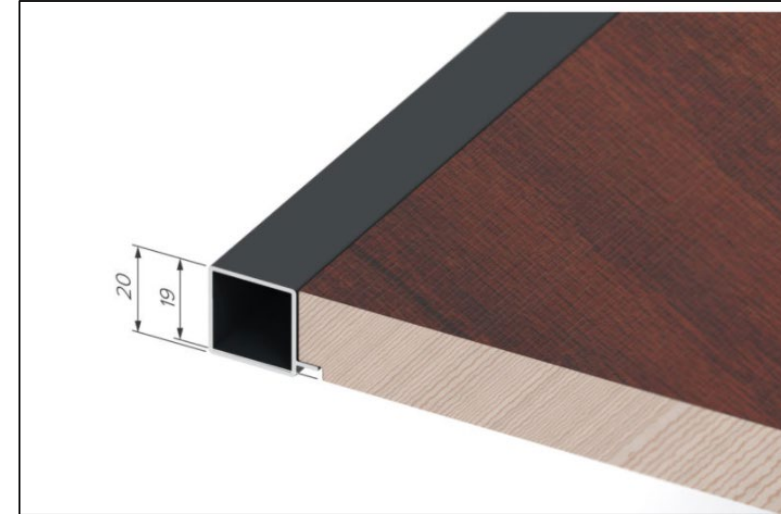
**16 mm (5/8"):** simply place the shelf holder of the profile provided for this purpose.

**19 mm (3/4"):** possibility of installing 19 mm (3/4") shelves , you just need to groove the underside of the panel; 3 mm (1/8") deep and 5 mm (7/32") wide.

- Glass shelf:

**4 mm et 6 mm 5/32" et 1/4"):** installation of glass shelve can also be specified. A slight offset will occur between the top of the profile and the glass which will secure the items on the glass.

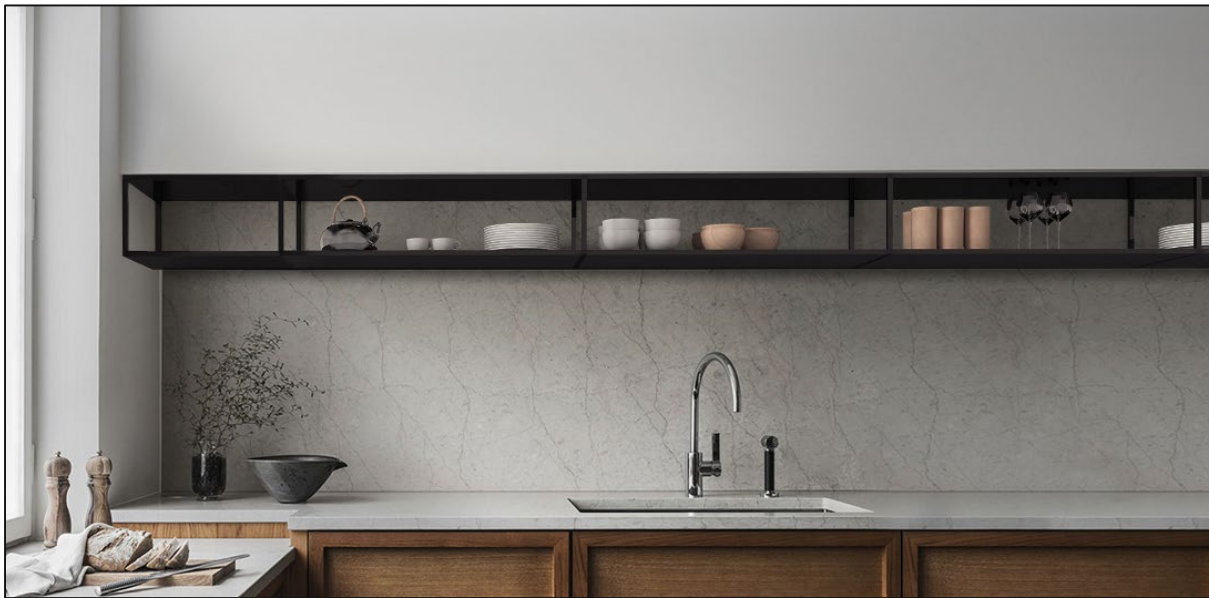
Profile can easily be ut to size. For a perfect cut, use a mitter saw at recommended cutting speed of 2000 r/min.



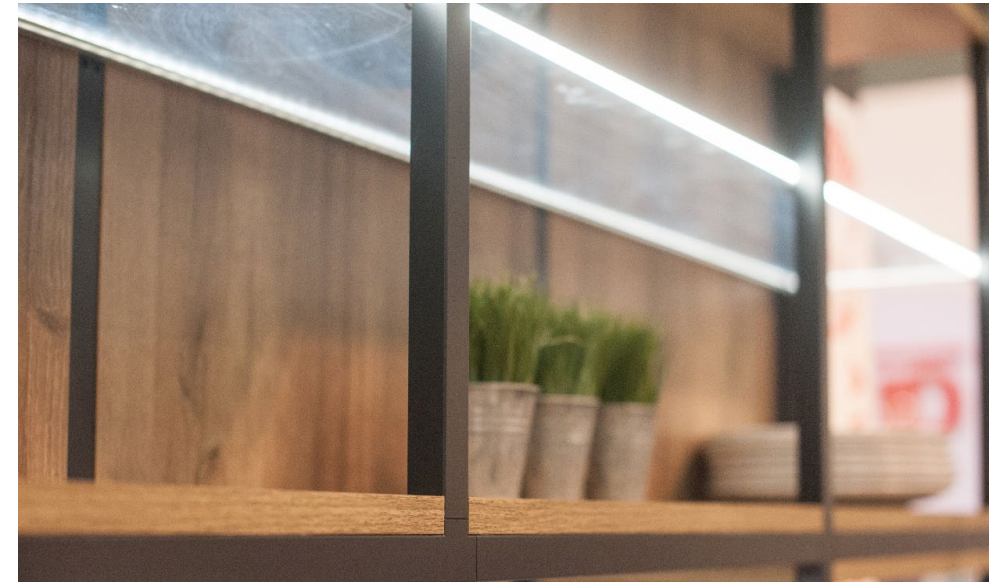


# Applications

- Open shelving replaces the upper cabinet.
- Storage cabinet shelving system.
- Furniture making the transition between the kitchen and the living room.
- Suspended upper cabinet.
- Suspenses bookcase.
- Base cabinet.



# Applications



Thank you

---