



30108090

Particularly suitable for wall units with weight-bearing bottoms.
A $\varnothing 8$ mm through hole in the furniture bottom allows the adjustment of the independent glide by using a S6 mm allen wrench or both cross and blade screwdriver.

Zinc alloy and Engineering Plastic.

Capacity Loading: 175 Kg each



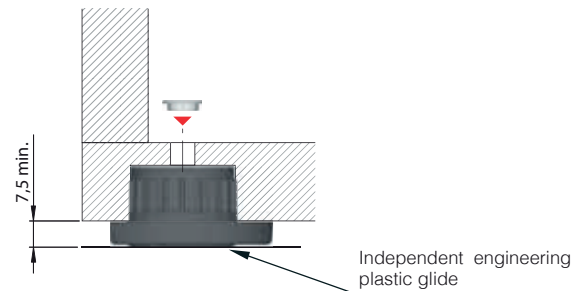
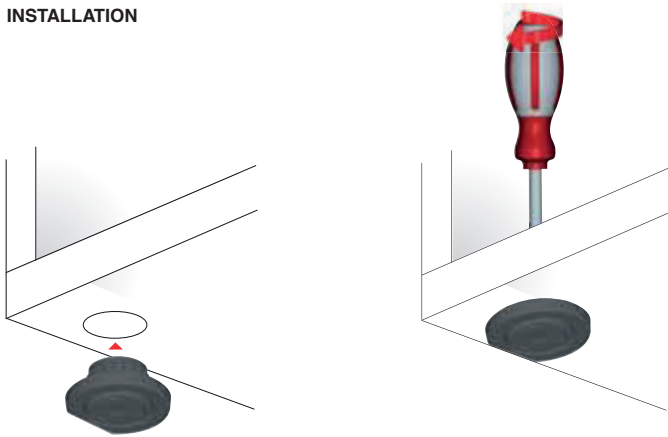
175 Kg per piece



Tested in accordance with CATAS procedures

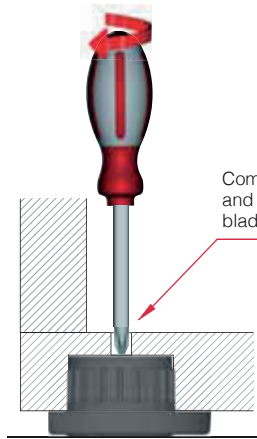


INSTALLATION



ADJUSTMENT 7 - 17 mm

ADJUSTMENT



Combi slot for S6 mm allen wrench and both cross PZ2 or PH2 and blade screwdriver 1,6x10 mm.

