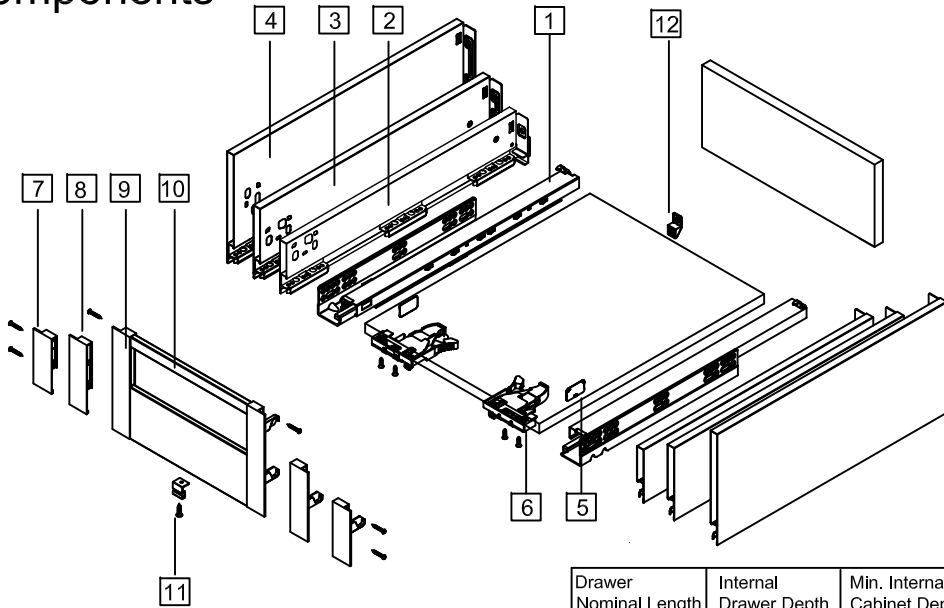




# OPTIMIZ-R Drawer - Inner Drawer (89/121/185mm Height)

## Components

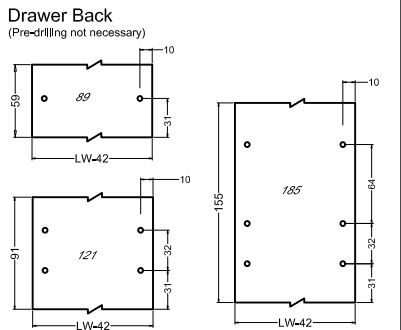


Drawer Nominal Length	Internal Drawer Depth	Min. Internal Cabinet Depth
270mm	254mm	285mm
300mm	274mm	305mm
350mm	324mm	355mm
400mm	374mm	405mm
450mm	424mm	455mm
500mm	474mm	505mm
550mm	524mm	555mm
600mm	574mm	605mm
650mm	624mm	655mm

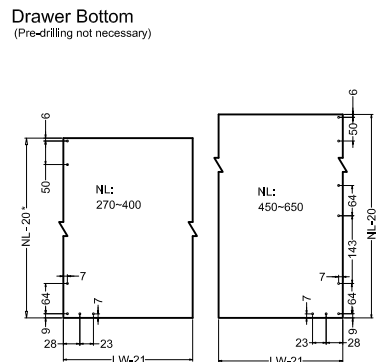
1. Series 828 slides	7. Front panel connector (89 height)
2. 89 height drawer sides	8. Front panel connector (121 height)
3. 121 height drawer sides	9. Front panel connector (185 height)
4. 185 height drawer sides	10. Front rail (185 height)
5. Side cover cap	11. Bottom fixing - inner *
6. 4-way locking devices	12. Bottom fixing - back *

(\* Optional for wide drawers)

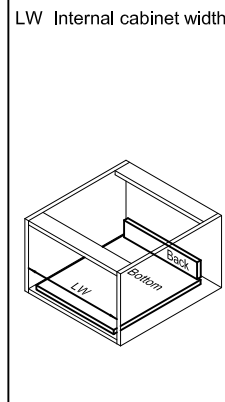
## Drawer Back & Drawer Bottom Dimensions - 16mm panel



Drawer Model	89	121	185
Back Height (mm)	59	91	155

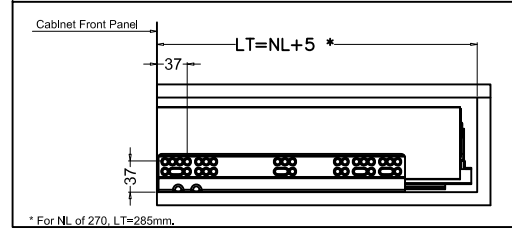


\* NL: Nominal Length  
For NL of 270, drawer bottom length = 260mm.

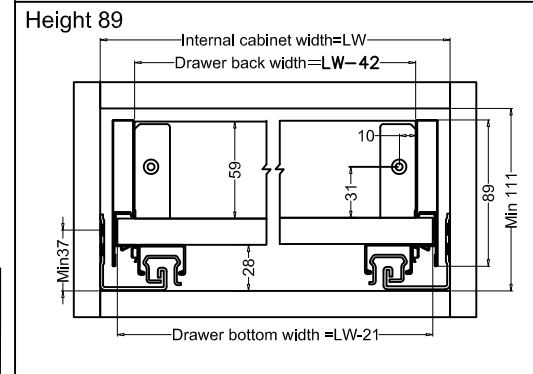


## Installation Dimensions (mm)

Nominal slide length=NL Internal cabinet depth=LT LW=Internal cabinet width

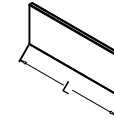


\* For NL of 270, LT=285mm.

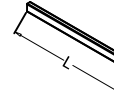


## Drawer Front Cutting (mm)

Front Panel Length:  $L=LW-87$



Front Rail Length:  $L=LW-55$



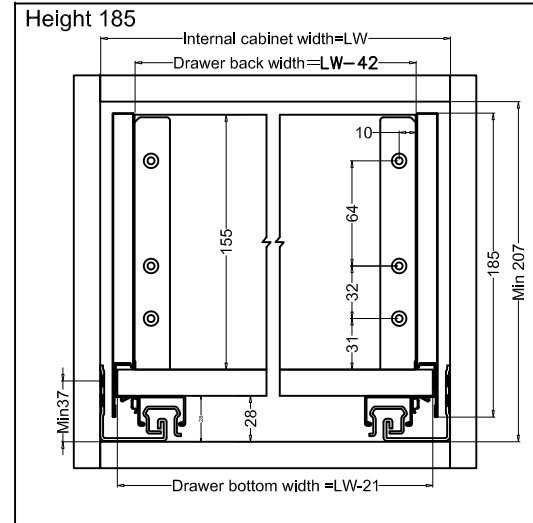
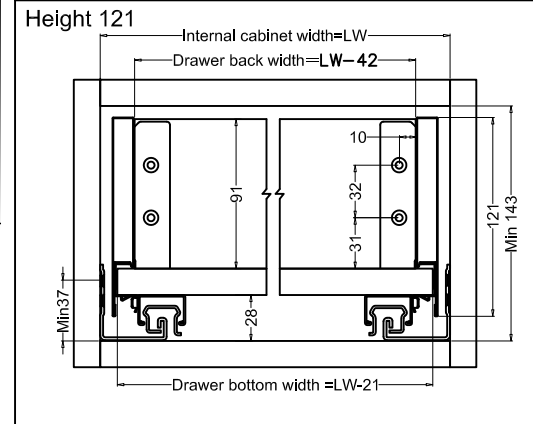
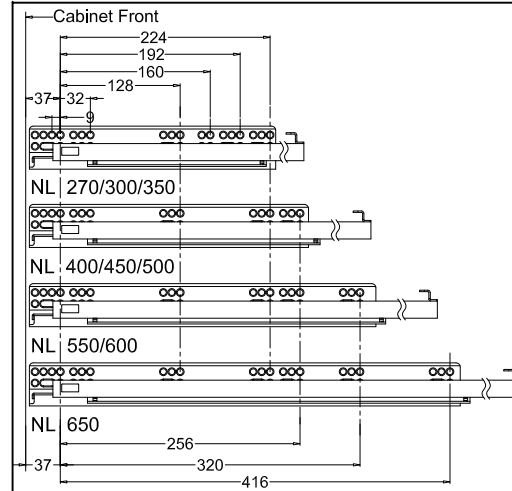
Bottom Fixing - Inner Drawer:  
drawer width ≥ 800mm



Bottom Fixing - Back:  
drawer width ≥ 800mm



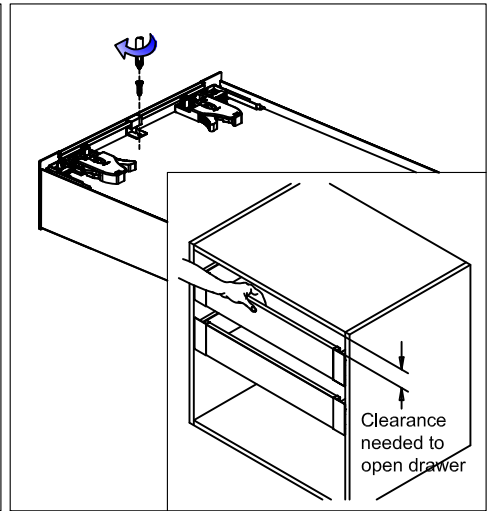
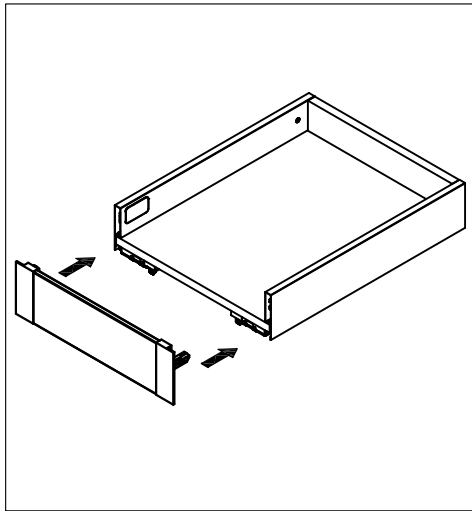
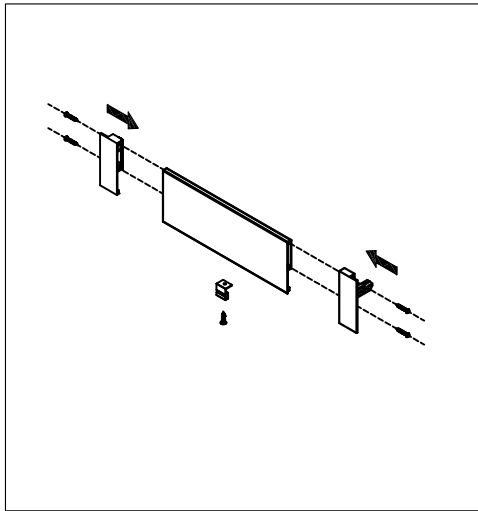
## Slides Hole Pattern



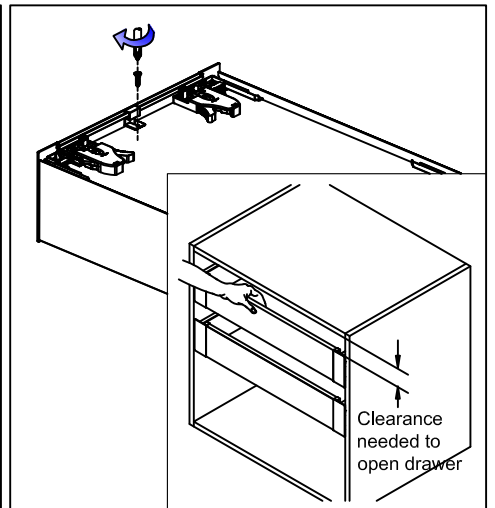
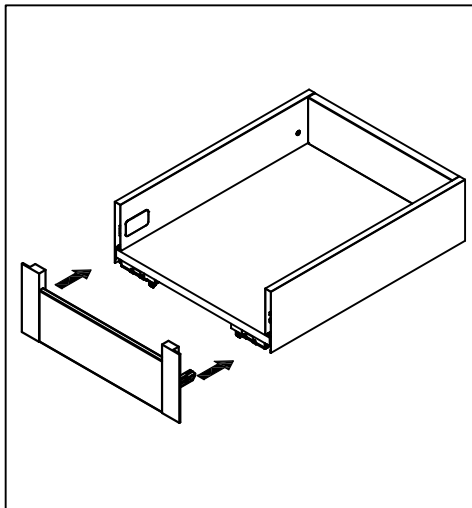
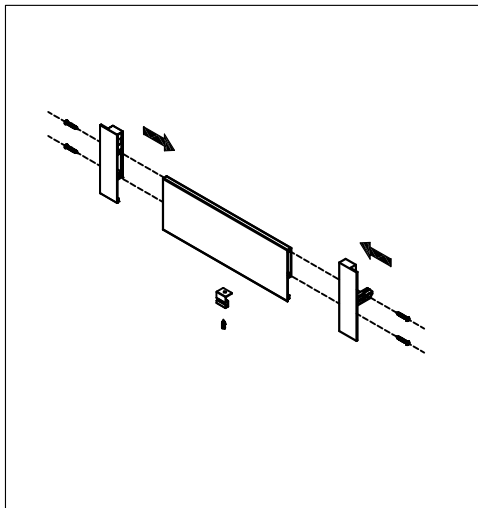
# OPTIMIZ-R Drawer - Inner Drawer



## 89 height Inner drawer front assembly



## 121 height Inner drawer front assembly



## 185 height Inner drawer front assembly

