

READY
TO
INSTALL

ORDER TO SIZE
TAMBOUR
MECHANISM

Reinvent Your Storage Spaces

Our high-quality custom-made tambour doors are beautiful and timeless alternatives to traditional cabinet doors. Easy to install, they are ideal for the breakfast area, they conceal your small household appliances with style.



The solid construction and the smooth sliding system of our **tambour doors** makes them an uncompromising addition to your kitchen or any other room in the house.

ADVANTAGES AND BENEFITS

- Italian mechanism
- High-quality material
- Custom-made tambour configurator
- 6 finish options
- Creates a focal point

CUSTOM-MADE | TAMBOUR DOORS BOX AND MAXIBOX MILANO

Comes with a roller system in which the door fits when it is open. With this particular system, when the door is open it slides into the roller system located on a shelf at the top of the cabinet.

	BOX MILANO	MAXIBOX MILANO
Width	15 3/4" - 47 1/4" (400-1200mm)	15 3/4" - 47 1/4" (400-1200mm)
Height	19 11/16" - 59 1/16" (500-1500mm)	61" - 86 5/8" (1550-2200mm)
Inner Depth *	11 13/16" (Min. 300mm)	16 15/16" (Min. 430mm)
High Shelf Height	5 1/4" (134 mm)	5 1/4" (134 mm)

* Minimum cabinet depth required to install the tambour door system



SLATS 25MM (FINISHES)



Anodized Aluminum



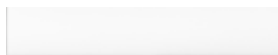
Stainless Steel



Anodized Aluminum - Perforated



Stainless Steel - Perforated



White Matte (Powder coated)

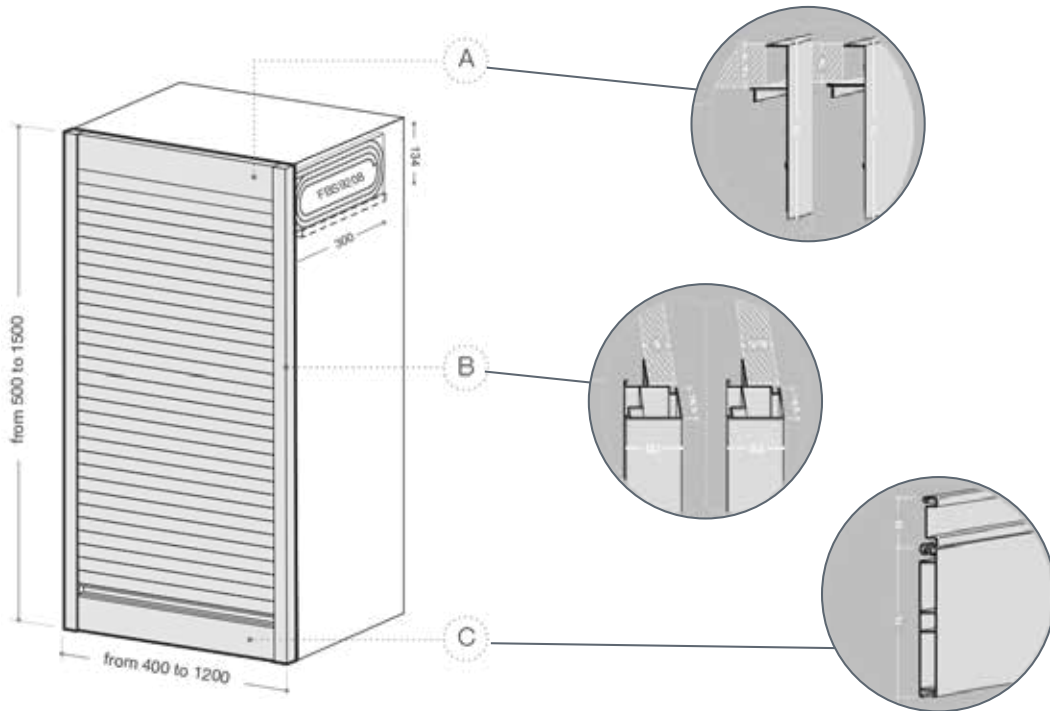


Black Matte (Powder coated)

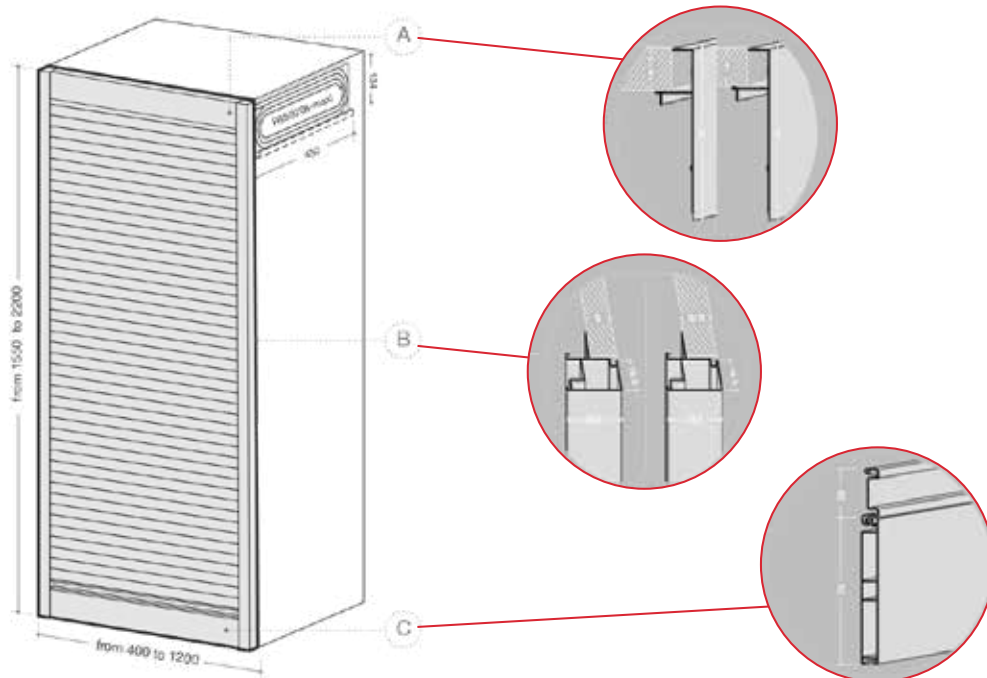


CUSTOM-MADE TAMBOUR DOORS

BOX MILANO



MAXIBOX MILANO



FRAME

The frame is the core of the opening system. It is made of the coiling guides, the counter balance shaft and the frame tube profile.



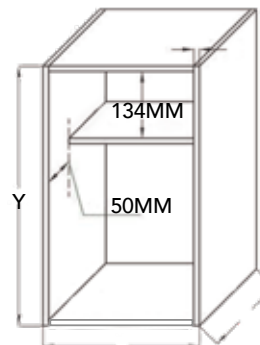
COUNTER BALANCE SHAFT

Tambour doors open smoothly and stay in position, even when partly open, thanks to the Counter Balance Shaft. Available in two types, for doors up to 600mm or up to 900mm wide.

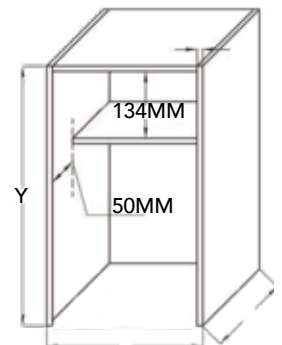


COILING GUIDE

The coiling guide insures that the tambour door safely rolls into place when opened.



BASE* (see p.4)



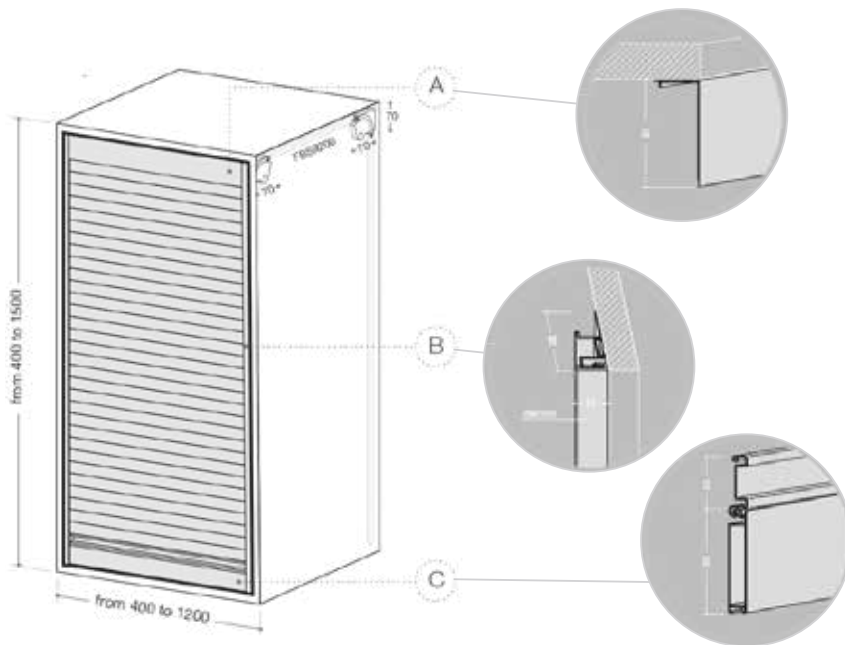
NO BASE* (see p.4)

CUSTOM-MADE | TAMBOUR DOORS MINIBOX MILANO

Comes with back rails in which the door fits when it is open. With this particular system, when the door is open, it slides into the rails that are located in the back of the cabinet.

	MINIBOX MILANO
Width	15 3/4" - 47 1/4" (400-1200mm)
Height	19 11/16" - 59 1/16" (500-1500mm)
Inner Depth *	11 13/16" (Min. 300mm)

* Minimum cabinet depth required to install the tambour door system



* When ordering **Tambour doors**, it must be specified if the cabinet is with or without a base. (a box on a countertop, as the picture on the upper right, has no base.)

