

Material	Finish	H max.	H1
laminata	dark oak	80-100mm	20mm
varnished	bright white	140-160mm	3mm
wood	natural	160-180mm	3mm
glass	extra light serigraphy	80-100mm	20mm
glass	mat	100-120mm	3mm
aluminium	brown	80-100mm	20mm

Fig. 3

### 24Vdc set up example

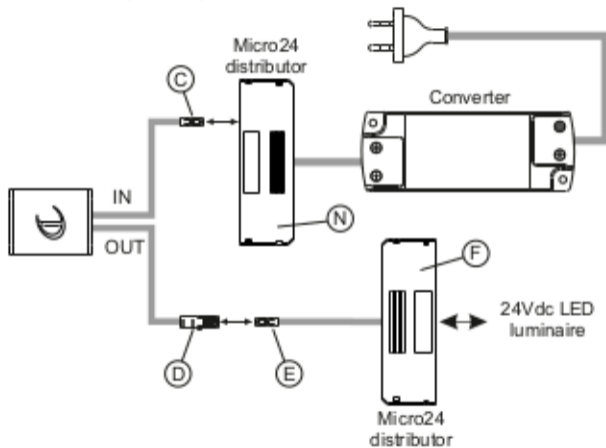


Fig. 4