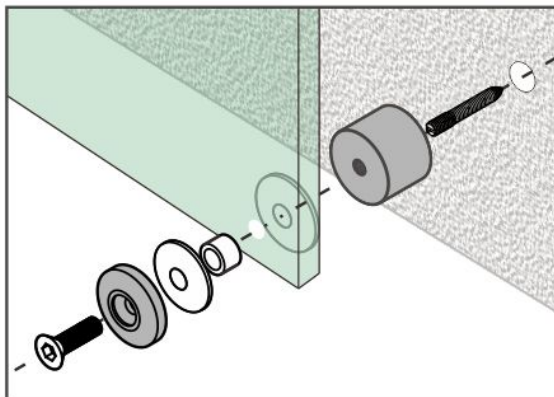


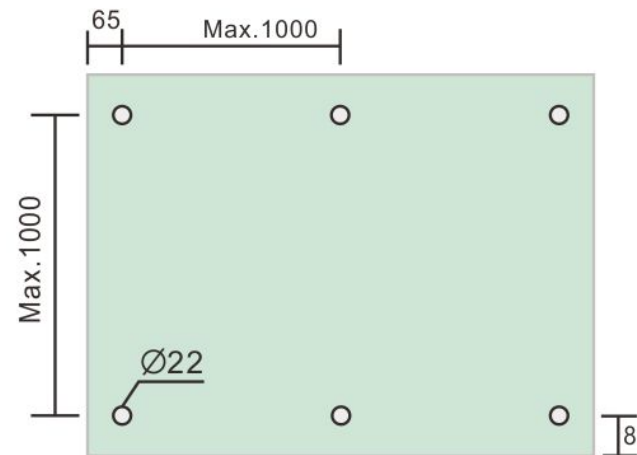
C/N	Name	Qty
1	Screw 3/8-16x35mm	1
2	Cap	1
3	Gasket	2
4	Washer	1
5	Allen Key 6mm	1

## Suggested Layout:



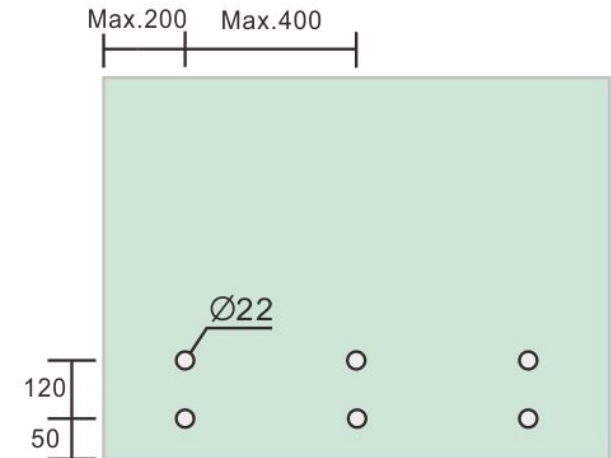
- \* Mounting hardware and standoff base sold separately
- \* Stainless steel 316

### Option 1



Max weight : 60kgs

### Option 2



Max weight : 60kgs

\* Actual weight capacity depends on mounting hardware and substrate material.