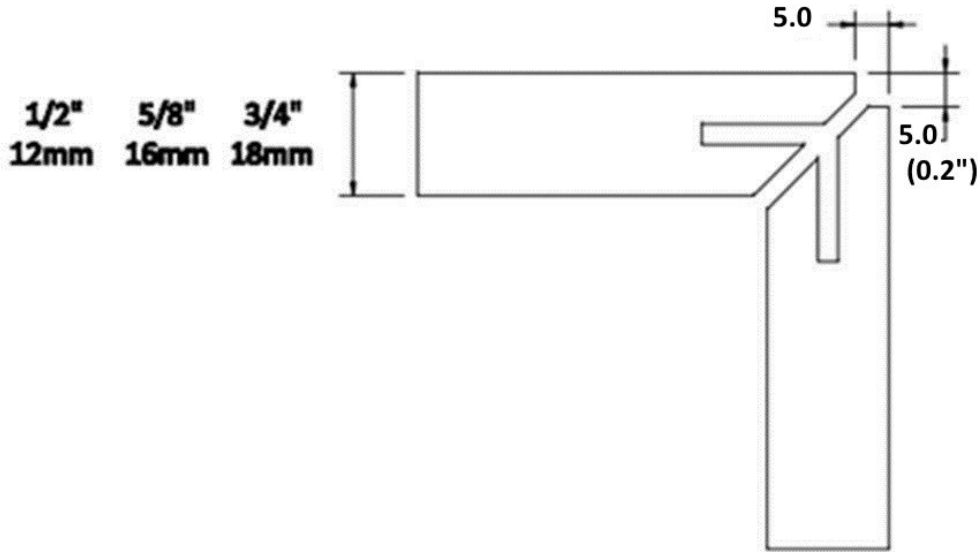


**CUT PANEL 5mm (0.2") SHORTER THAN OVERALL LENGTH**



**CUT EXTRUSSION 10mm (0.4") SHORTER THAN PANEL**

