

ECLIPSE

MODEL 3160EC EASY-CLOSE

QUICK START GUIDE

DRAWER PREPARATION

QR Installation Video



FORMULA FOR CALCULATING DRAWER BOX LENGTH

Slide length = Outside drawer box length
(Example: If slide length = 16", the outside length of the drawer box = 16")

FORMULA FOR CALCULATING DRAWER BOX HEIGHT

Maximum drawer height = cabinet height minus 13/16"

Drawer Box Length tolerance +0/-1/16"

FORMULA FOR CALCULATING DRAWER BOX WIDTH

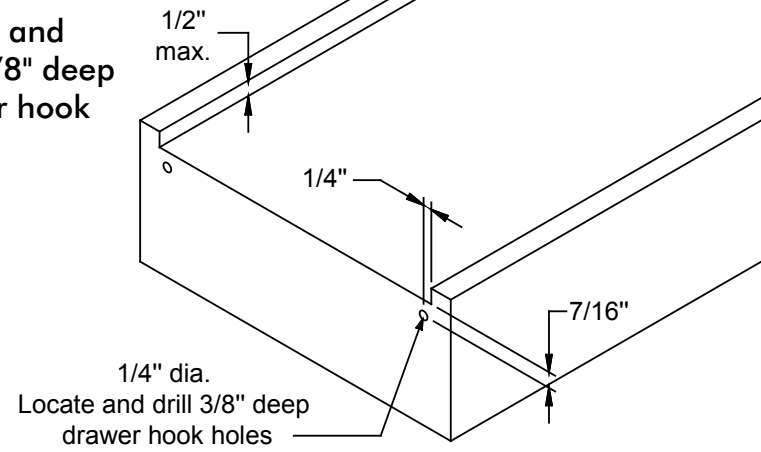
For drawer side thickness: 5/8" 16mm 19/32" 15mm 9/16" 14mm 1/2" 13mm

For inside drawer width, deduct from inside cabinet width: 1-3/4" 44.45mm 1-3/4" 44.45mm 1-3/4" 44.45mm 1-3/4" 44.45mm

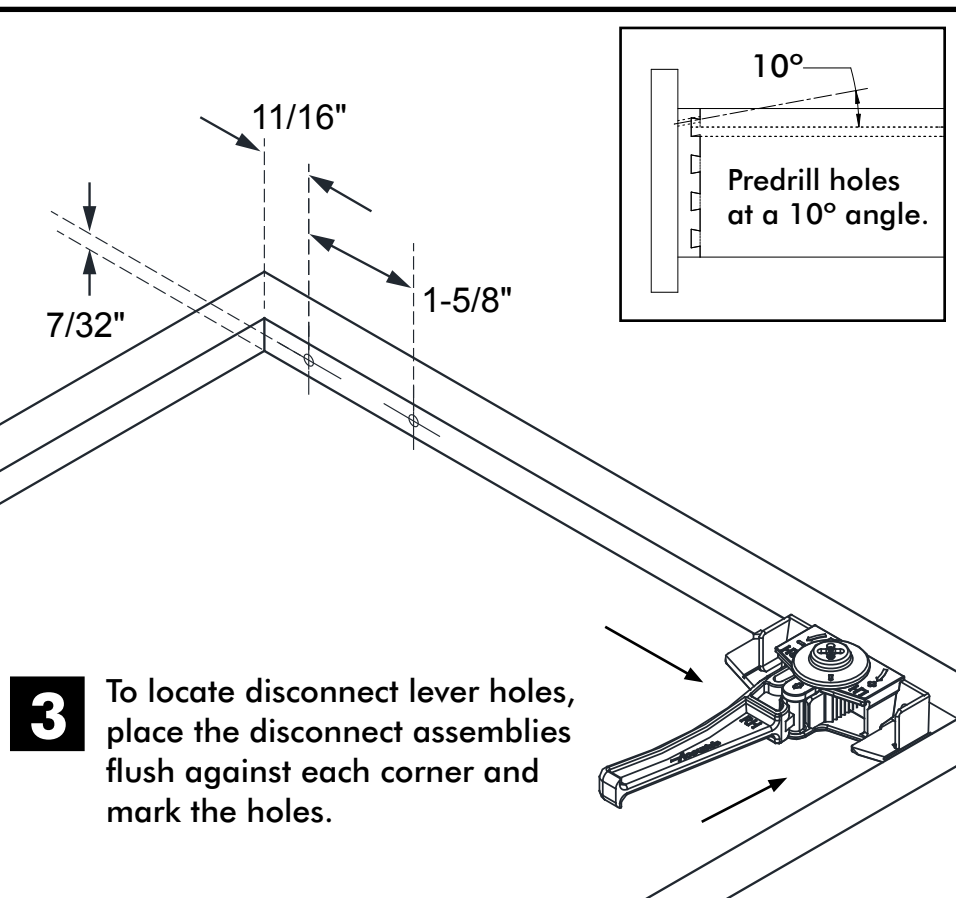
For outside drawer width, deduct from inside cabinet width: 1/2" 13mm 9/16" 15mm 5/8" 17mm 3/4" 19mm

1 Notch drawer

2 Locate and drill 3/8" deep drawer hook holes

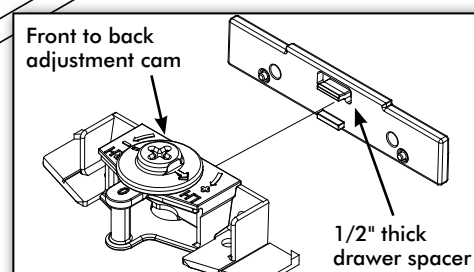


3 To locate disconnect lever holes, place the disconnect assemblies flush against each corner and mark the holes.



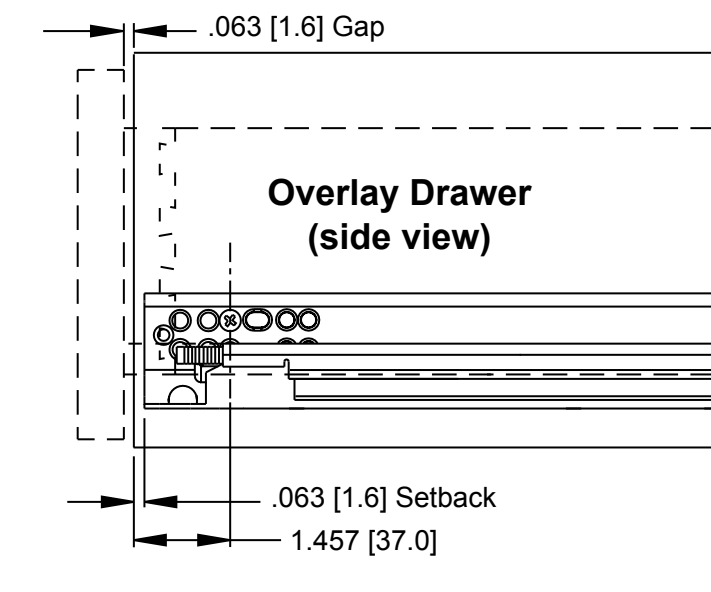
4 Install disconnect levers. Levers should curve toward the center of the drawer. Use #6 x 5/8" pan head screw.

Standard lever can be installed vertically or horizontally.

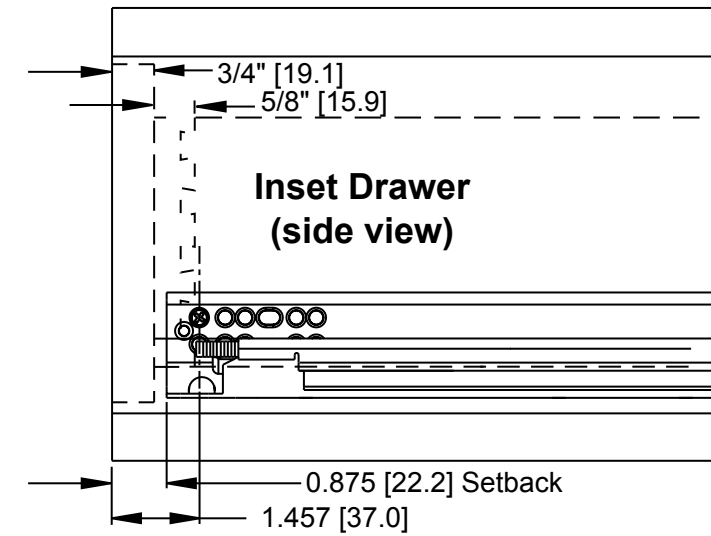


CABINET MEMBER

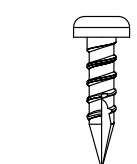
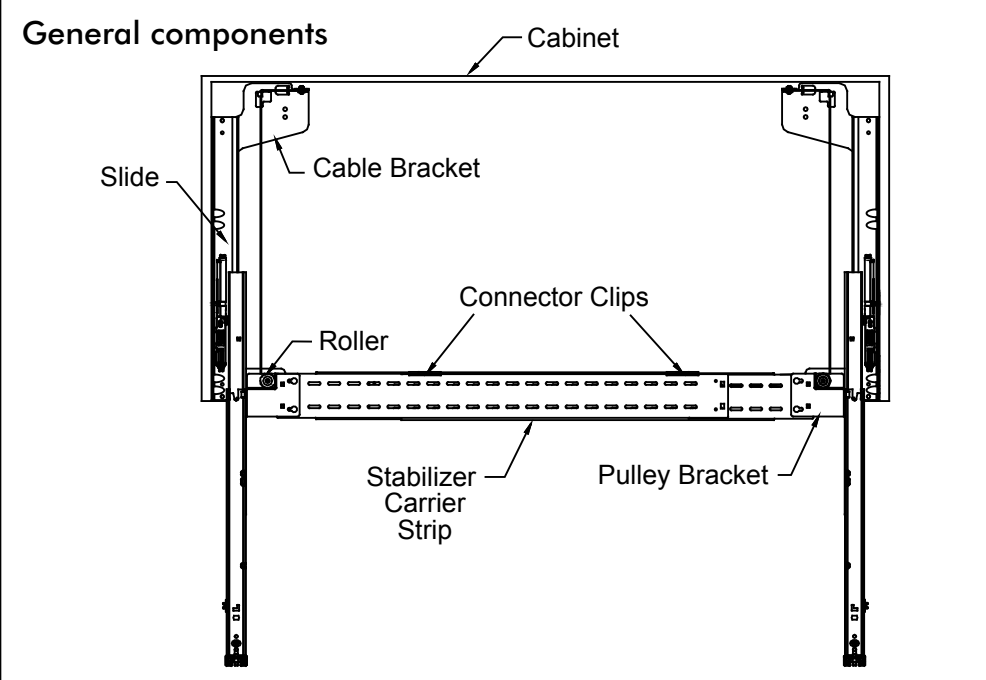
5 Predrill a hole 37 mm from the cabinet front.



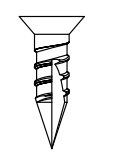
Predrill a hole 37 mm from the cabinet front.



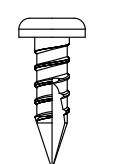
General components



#6 X 5/8" L pan head screw for levers



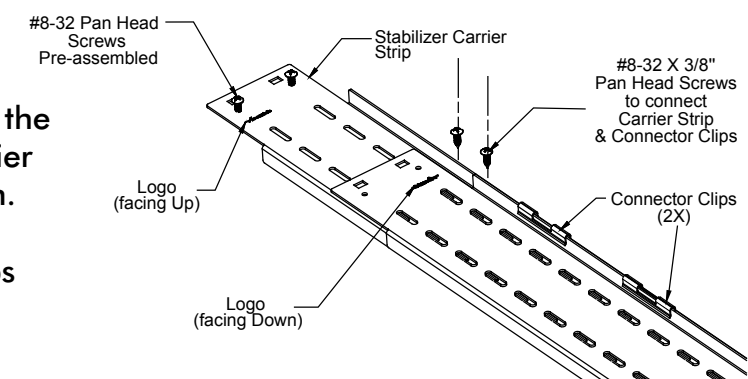
#8 X 5/8" L flat head screw for cabinet member



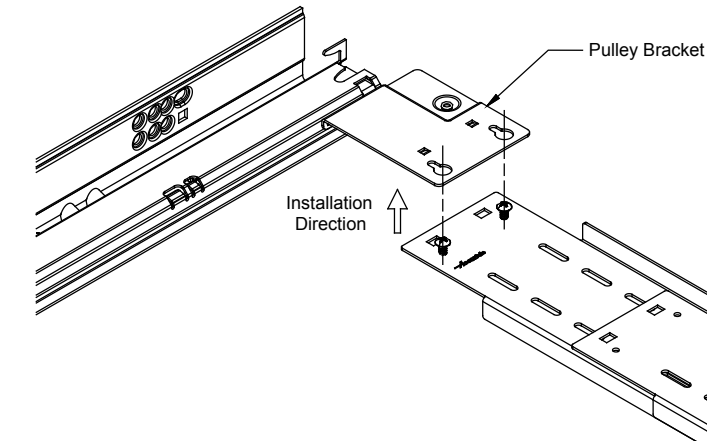
#8 X 5/8" L pan head screw for rear bracket

WIDE DRAWER STABILIZER KIT (Drawers 41"-60" only)

6 Pre-assemble the stabilizer carrier strip as shown. Screw and connector clips are needed.

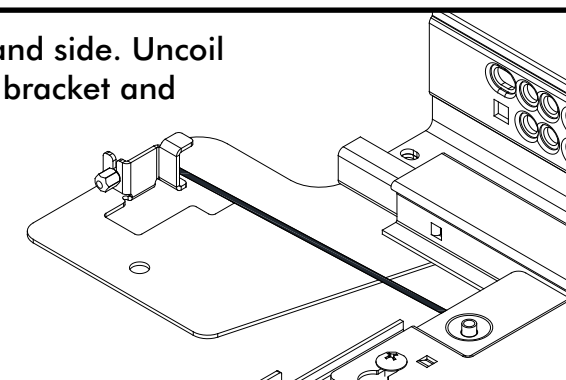


7 With slide in the closed position placed stabilizer strips under pulley bracket and insert screws through the key holes.

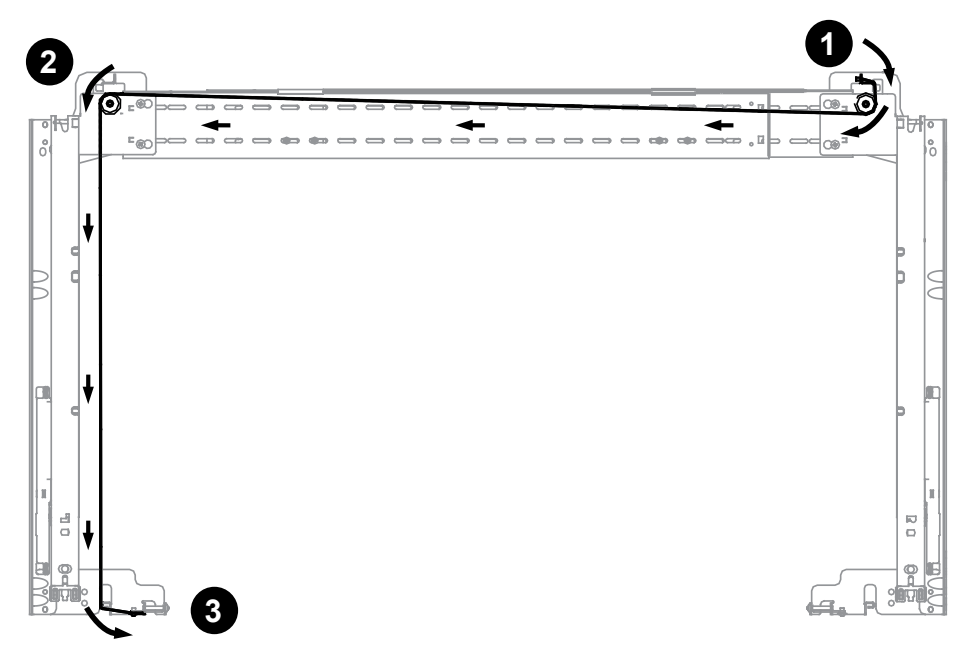


CABLE SYSTEM (31"-60" wide)

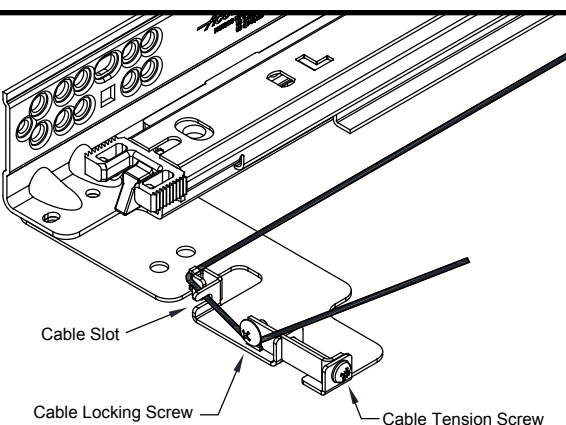
8 Start on the right hand side. Uncoil cable through back bracket and along roller



9 Route cable along the roller system, starting on the back right hand roller and ending on the left front roller.

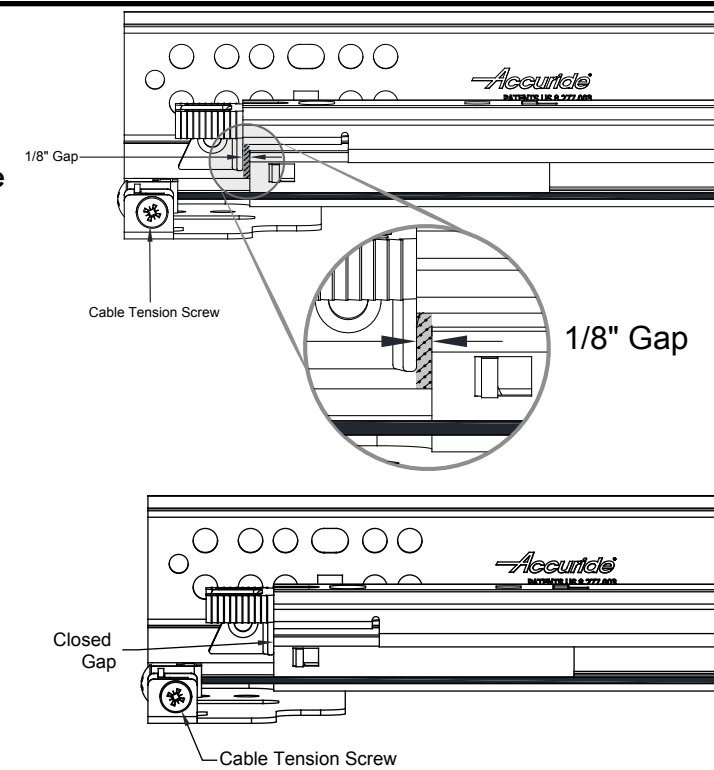


10 Route cable through cable slot, pull cable until an 1/8" gap is achieved as shown in Figure 11.

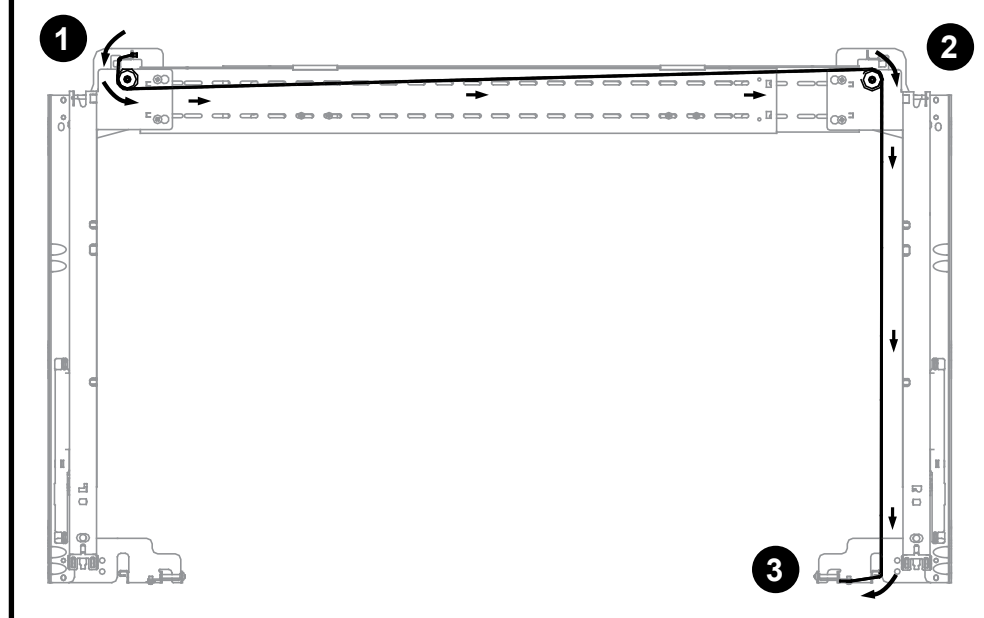


CABLE SYSTEM (31"-60" wide) Continued

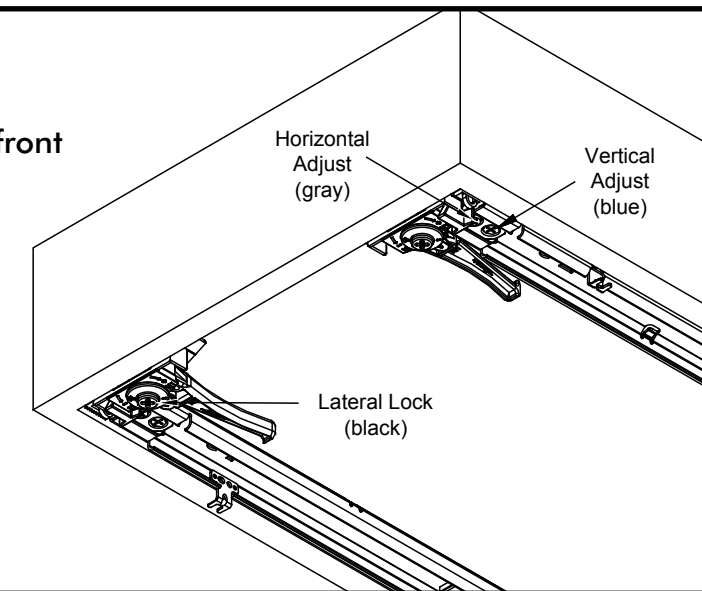
11 Once gap is achieved, secure cable with cable locking screw. Close gap by turning cable tension screw, then make one more additional turn. Check movement.



12 Repeat steps 8-11 on the opposite side but at the end, carrier strip should go over locking screw.



13 Adjust drawer front horizontally, vertically, and front to back as needed. To lock, turn the black cam, adjust 1/4 turn clockwise.



14 Tighten all screws, check movement, cut cables.

NOTE: Install knobs or pulls after drawer fronts are adjusted to ensure proper alignment.

Accuride

12311 Shoemaker Avenue • Santa Fe Springs, CA 90670
(562) 903-0200 • www.accuride.com