

Striplox Mini 120

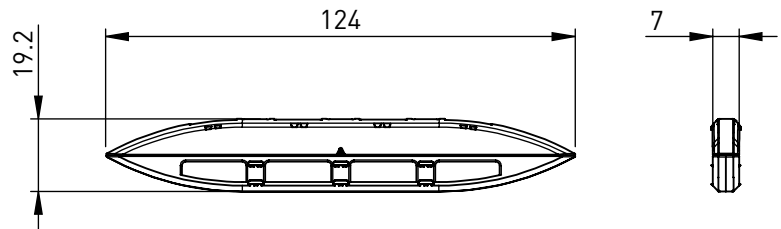
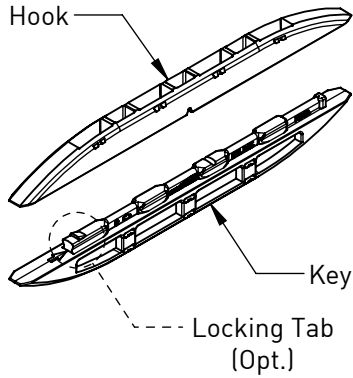
Rapid Assembly Systems



Mounting Data Sheet - Metric Version

All dimension in mm

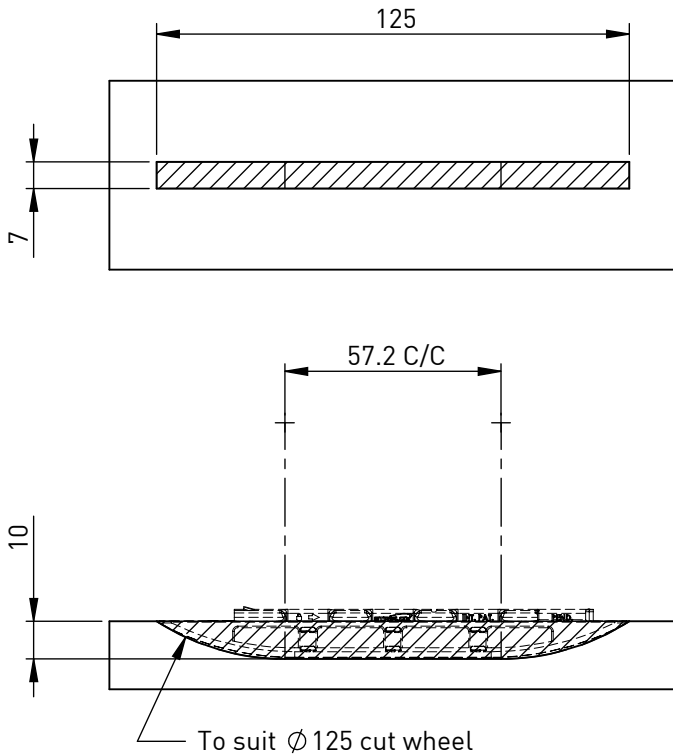
General Dimensions



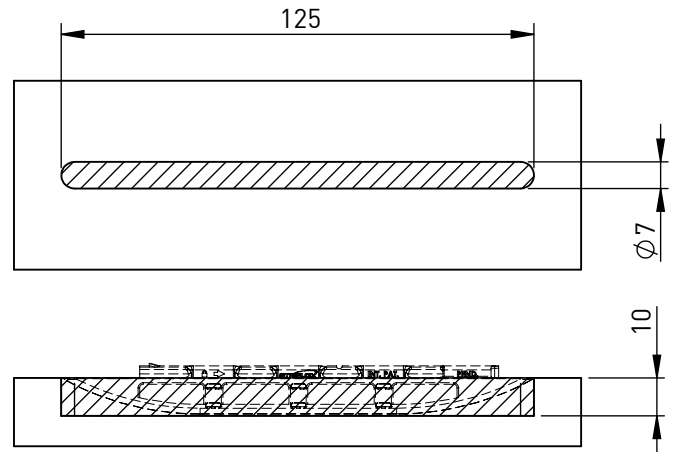
Material	High Strength Reinforced Nylon
Colour	Black
Fixing Method	Glue

Mounting Dimensions

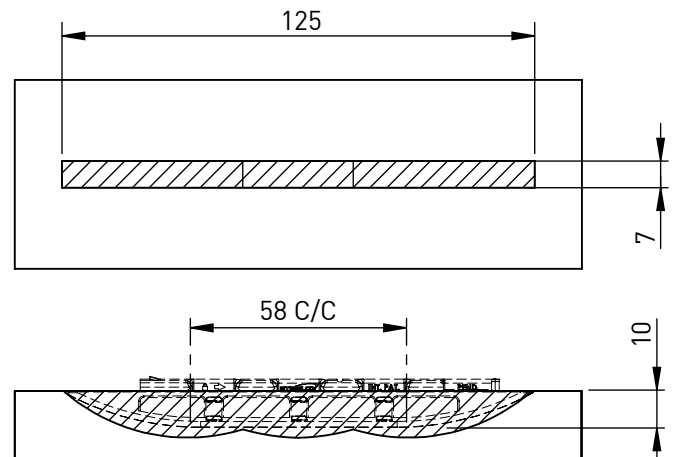
Option A - Cutting Wheel



Option B - Router Cut



Option C - Biscuit Cutter



Notes:

1. Groove detail typical for both Hook and Key halves.
2. Key shown in groove.

Striplox Mini 120

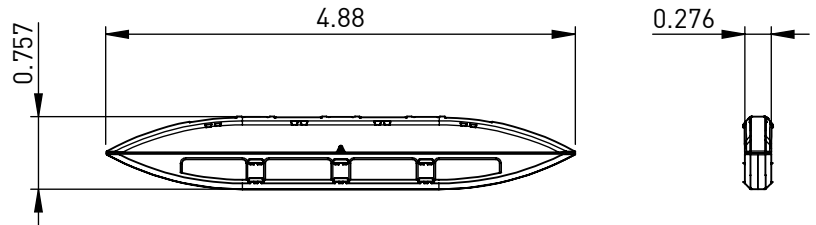
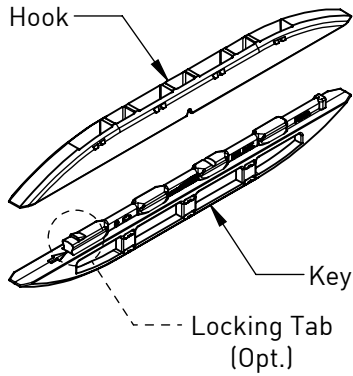
Rapid Assembly Systems



Mounting Data Sheet - US Version

All dimension in inches

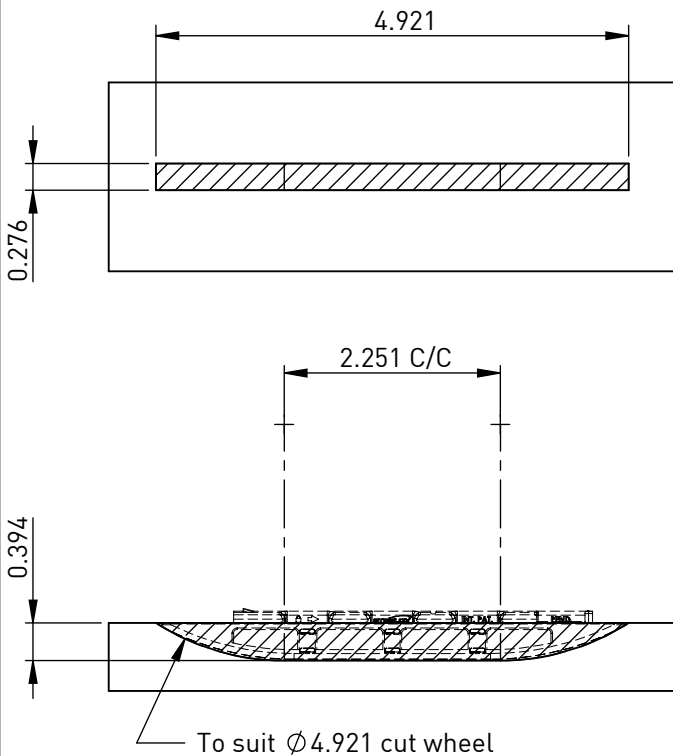
General Dimensions



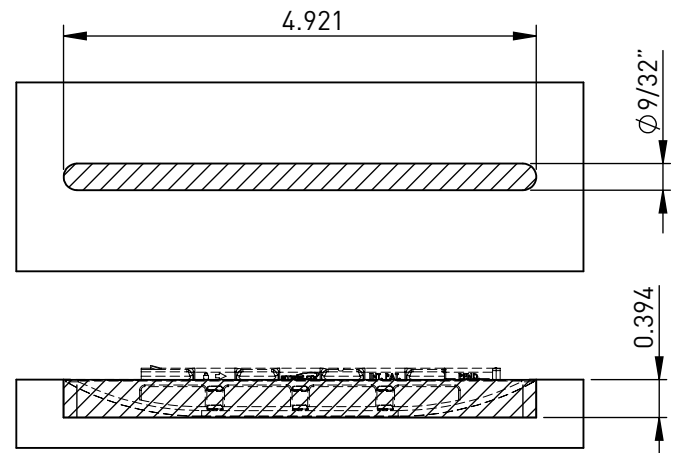
Material	High Strength Reinforced Nylon
Colour	Black
Fixing Method	Glue

Mounting Dimensions

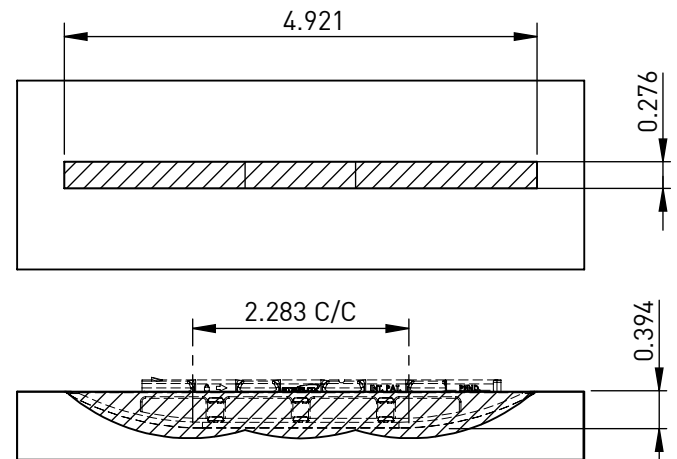
Option A - Cutting Wheel



Option B - Router Cut



Option C - Biscuit Cutter



- Notes:
1. Groove detail typical for both Hook and Key halves.
 2. Key shown in groove.