

Material	High Strength Reinforced Nylon
Colour	Black
Fixing Method	Glue

### Mounting

#### 1 Router Cut Option

Use a  $\text{Ø}9/32$ " router bit to cut a slot in both substrates where the Hook and Key of the Mini 120 is to be mounted. Depth needs to be 0.394" for each.

#### 2 Biscuit Cut Option

Set the depth stop to #20 and guide height for substrate thickness. Plunge in 3 locations then repeat using the **Mark-Out Template**, packing the guide to achieve a 0.276" cut.

#### 3 Striplox Liquidlox

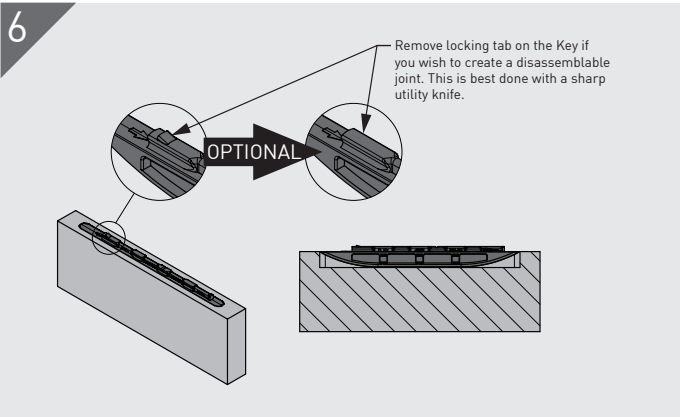
Apply Striplox Liquidlox 15 second cure adhesive to both sides of the slot in each substrate. Visit [joinlox.com/striplox](http://joinlox.com/striplox) or call 1800 JOINLOX to find out more about Striplox Liquidlox and Mark-Out Template.

#### 4

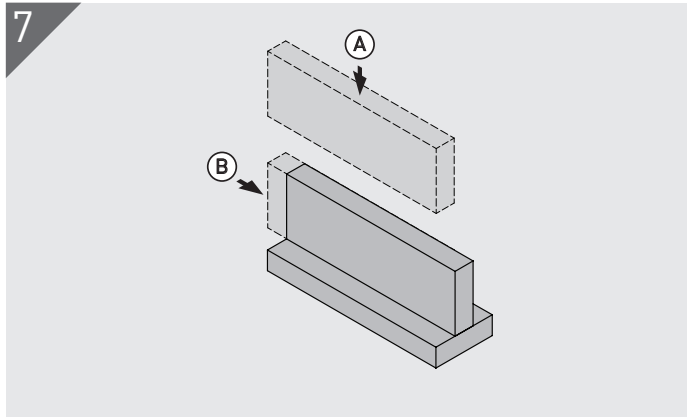
To aid in the installation of the Hook and Key, start by inserting one end in the slot when use a hammer or mallet to tap the component into place.

#### 5

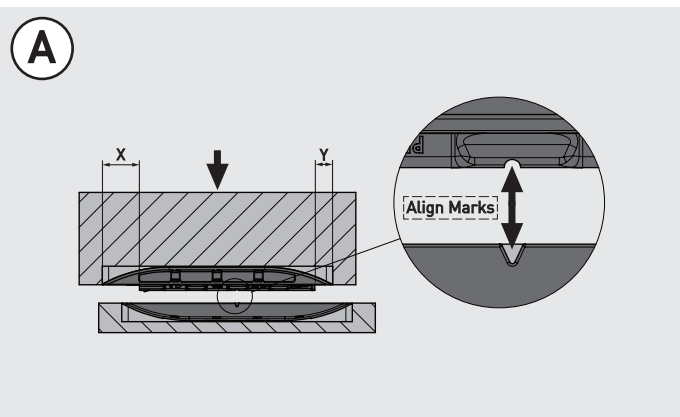
After glue is applied, insert Hook and Key into slot until flush with substrate. Allow to dry as per glue manufactures instructions.



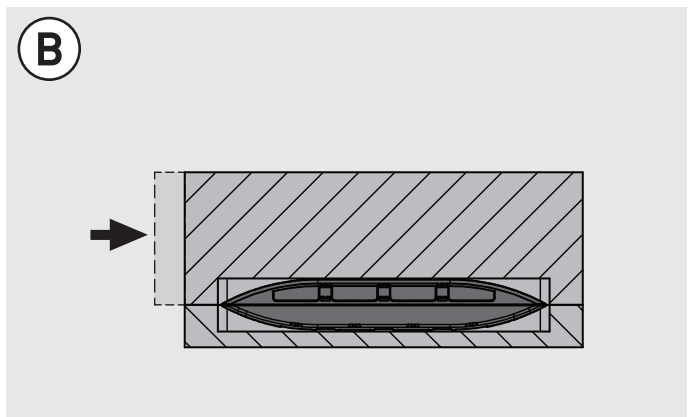
Before assembling the Striplox Mini 120, make note of the locking tab on the Key. Leaving this tab in place will prevent the unintentional unlocking of the joint.



Assembly components remembering the Key only needs to travel 1 pitch for full engagement. This is detailed in steps A and B.

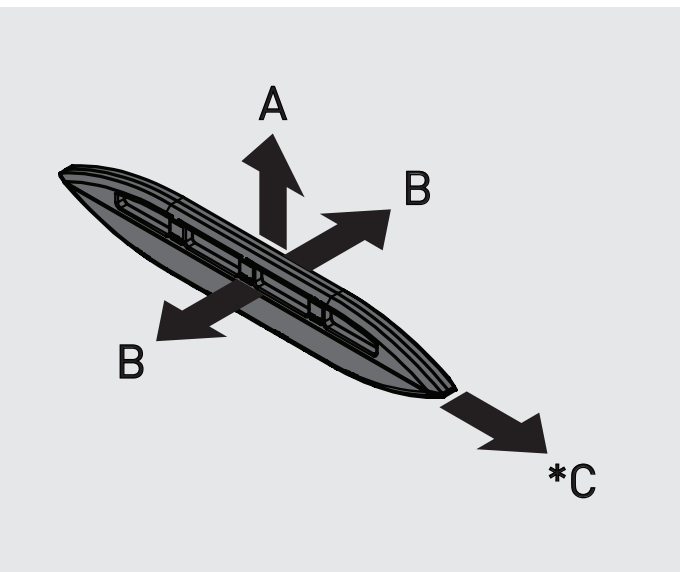


Note the offset of the lugs on the Key body, length X is larger than Y. Insert the Hook into the Key with the longer X end towards the face to be pushed during assembly.



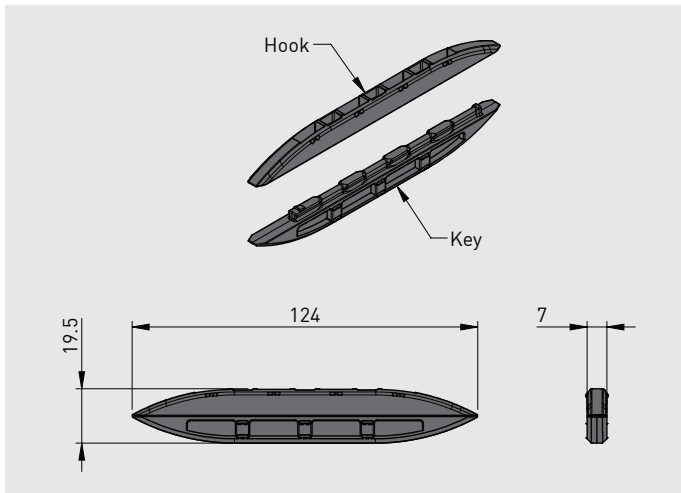
To complete the assembly push the end of the substrate (with X offset) until the Mini 120 is fully engaged.

### Load Capacity



Direction	Indic. Load Capacity
A	440 lb
B	322 lb
C	262 lb

- Tested using MDF and fixed with glue.
- \*C is in direction of lock-up.

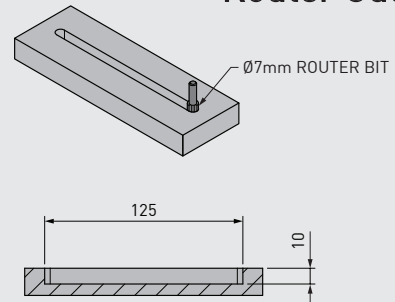


Material	High Strength Reinforced Nylon
Colour	Black
Fixing Method	Glue

### Mounting

1

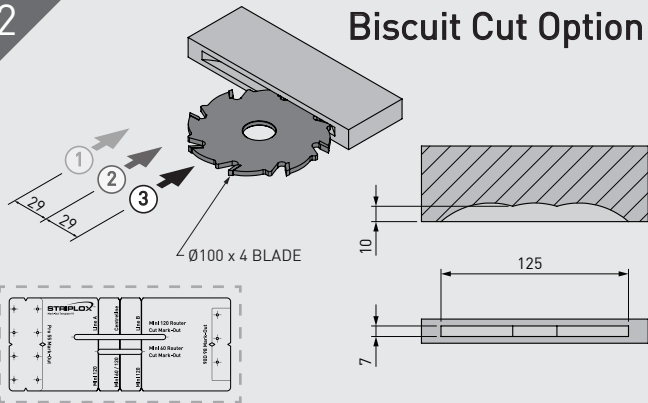
#### Router Cut Option



Use a Ø7mm router bit to cut a slot in both substrates where the Hook and Key of the Mini 120 is to be mounted. Depth needs to be 10mm for each.

2

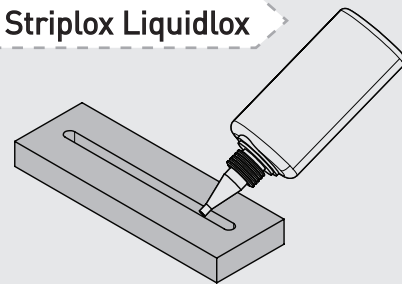
#### Biscuit Cut Option



Set the depth stop to #20 and guide height for substrate thickness. Plunge in 3 locations then repeat using the **Mark-Out Template**, packing the guide 3mm to achieve a 7mm cut.

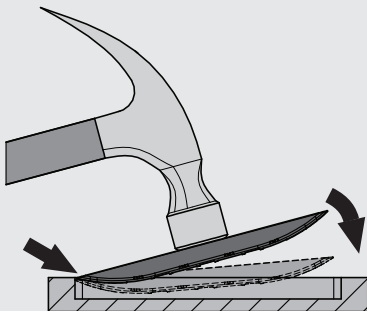
3

#### Striplox Liquidlox



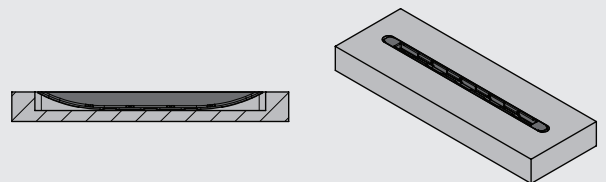
Apply Striplox Liquidlox 15 second cure adhesive to both sides of the slot in each substrate. Visit [joinlox.com/striplox](http://joinlox.com/striplox) or call 1800 JOINLOX to find out more about Striplox Liquidlox and Mark-Out Template.

4

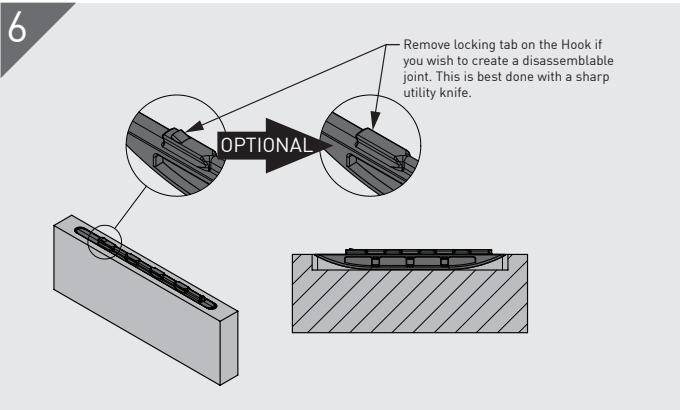


To aid in the installation of the Key and Hook, start by inserting one end in the slot when use a hammer or mallet to tap the component into place.

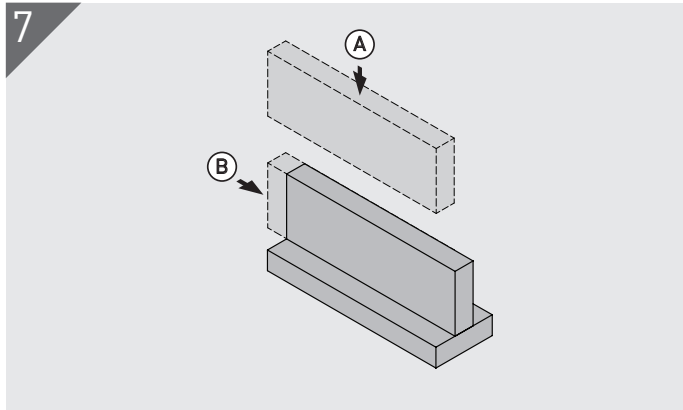
5



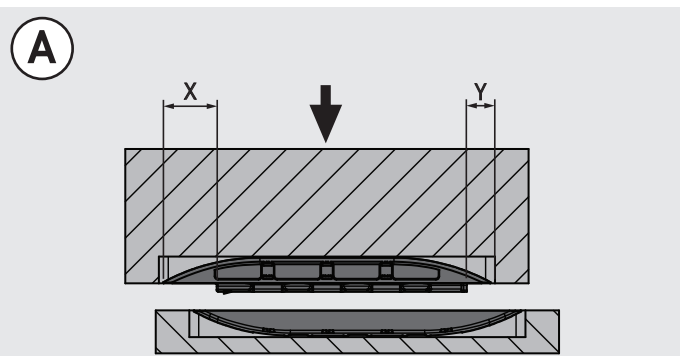
After glue is applied, insert Key into slot until flush with substrate. Allow to dry as per glue manufactures instructions.



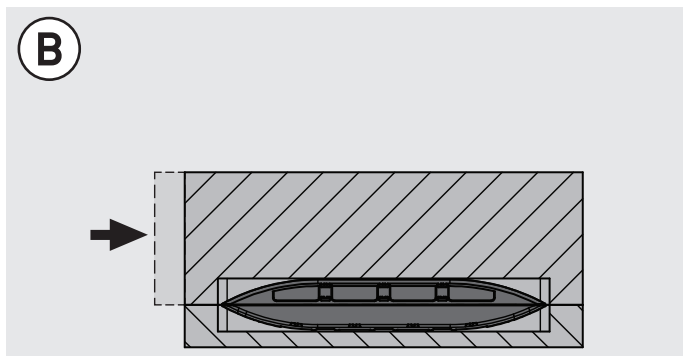
After glue is applied, insert Hook into slot until flush with substrate. Allow to dry as per glue manufactures instructions.



Assembly components remembering the Key only needs to travel 1 pitch for full engagement. This is detailed in steps A and B.

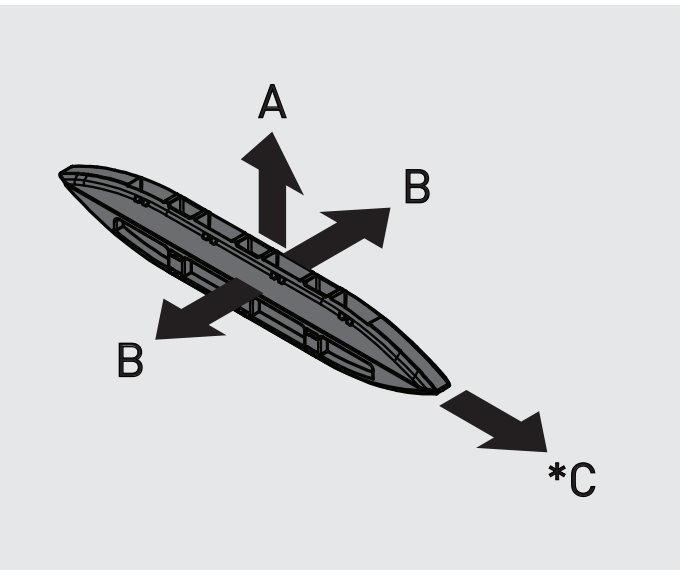


Note the offset of the lugs on the Hook body, length X is larger than Y. Insert the Hook into the Key with the longer X end towards the face to be pushed during assembly.



To complete the assembly push the end of the substrate (with X offset) until the Mini 120 is fully engaged.

## Load Capacity



Direction	Indic. Load Capacity
A	200 kg
B	146 kg
*C	119 kg

- Tested using MDF and fixed with glue.
- \*C is in direction of lock-up.