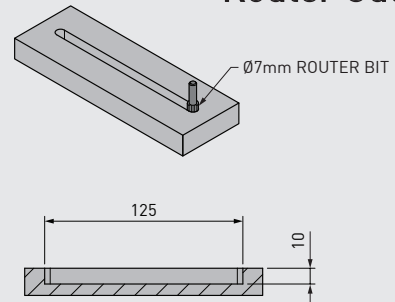


Material	High Strength Reinforced Nylon
Colour	Black
Fixing Method	Glue

Mounting

1

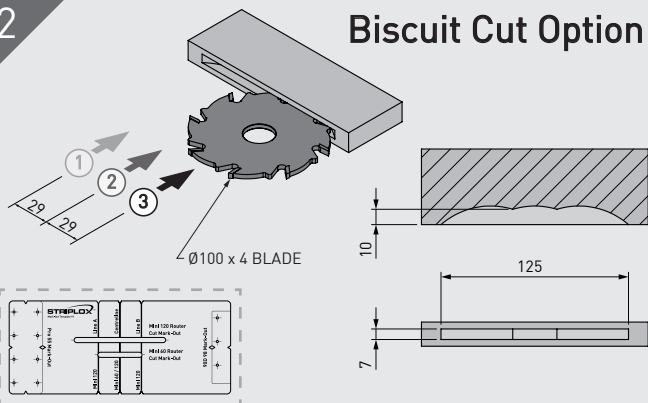
Router Cut Option



Use a $\varnothing 7\text{mm}$ router bit to cut a slot in both substrates where the Hook and Key of the Mini 120 is to be mounted. Depth needs to be 10mm for each.

2

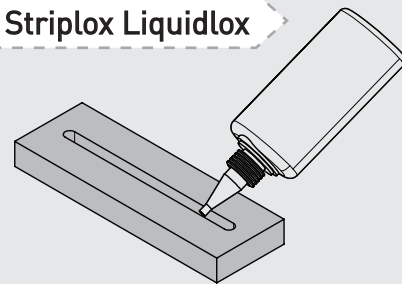
Biscuit Cut Option



Set the depth stop to #20 and guide height for substrate thickness. Plunge in 3 locations then repeat using the **Mark-Out Template**, packing the guide 3mm to achieve a 7mm cut.

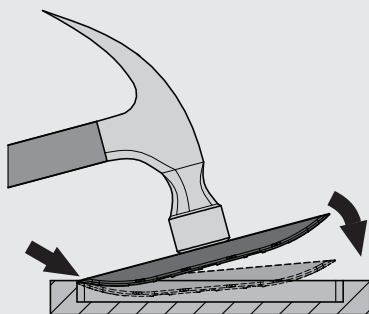
3

Striplox Liquidlox



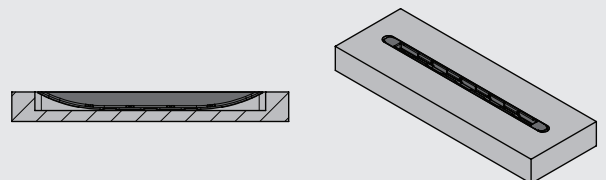
Apply Striplox Liquidlox 15 second cure adhesive to both sides of the slot in each substrate. Visit joinlox.com/striplox or call 1800 JOINLOX to find out more about Striplox Liquidlox and Mark-Out Template.

4

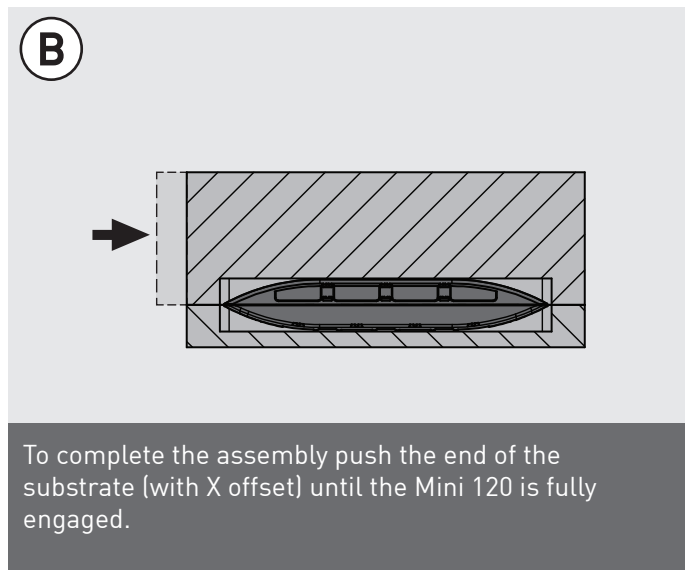
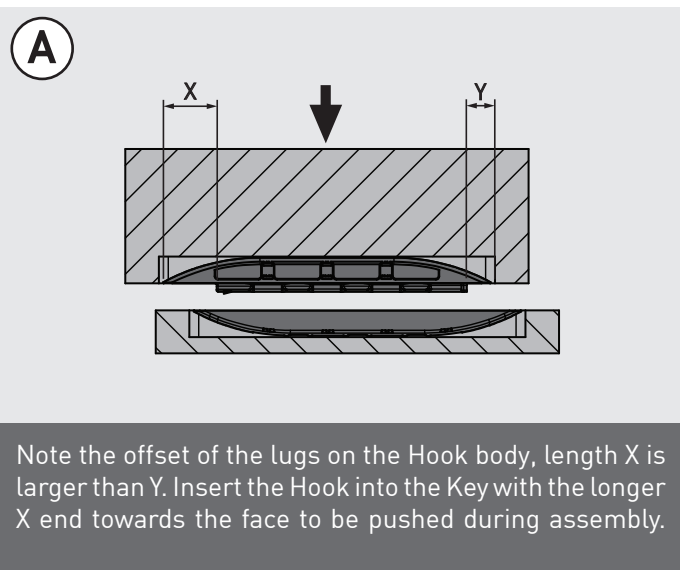
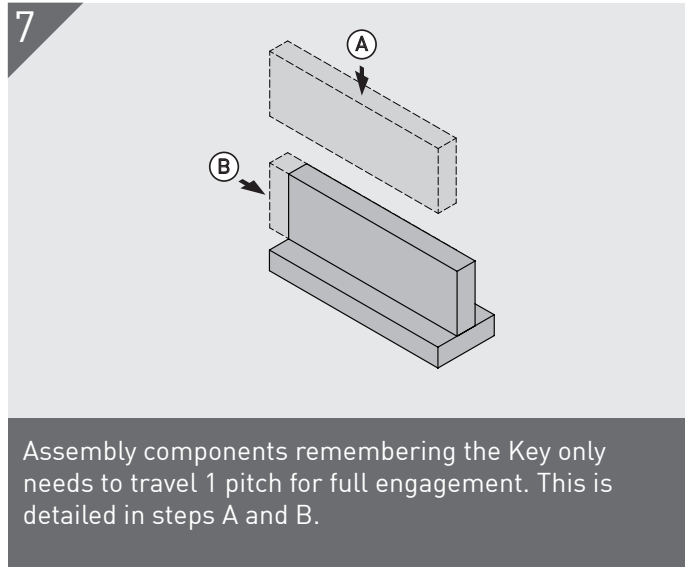
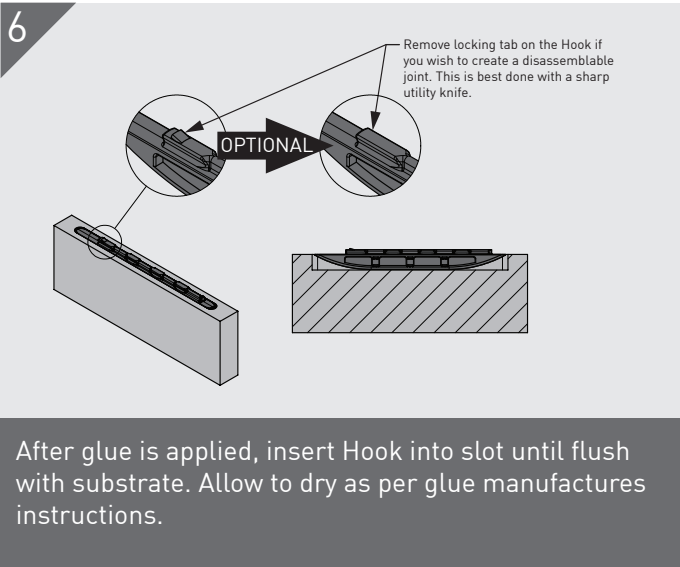


To aid in the installation of the Key and Hook, start by inserting one end in the slot when use a hammer or mallet to tap the component into place.

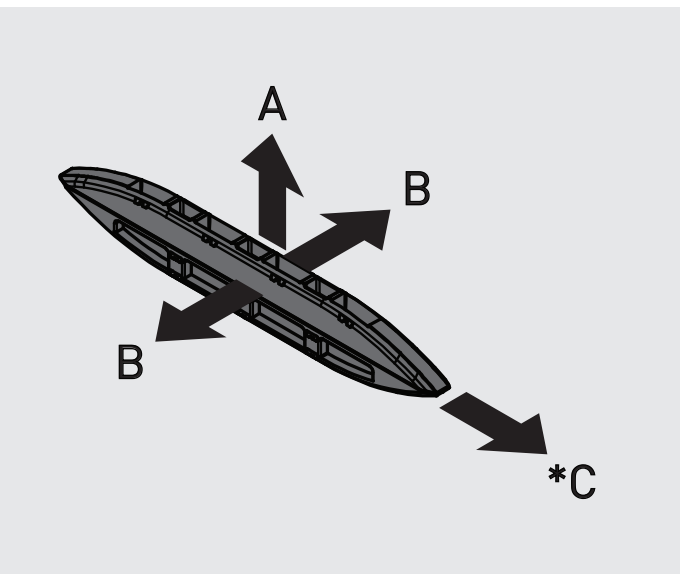
5



After glue is applied, insert Key into slot until flush with substrate. Allow to dry as per glue manufactures instructions.



Load Capacity



Direction	Indic. Load Capacity
A	200 kg
B	146 kg
*C	119 kg

- Tested using MDF and fixed with glue.
- *C is in direction of lock-up.