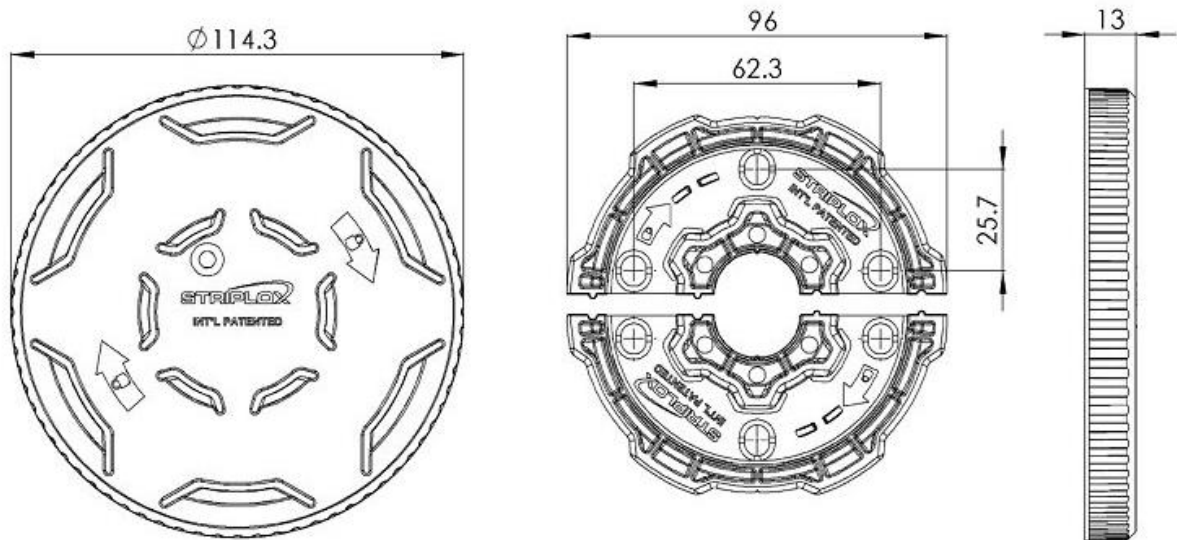


## Dimensions in mm



## Dimensions in inches

