

Striplox 180D

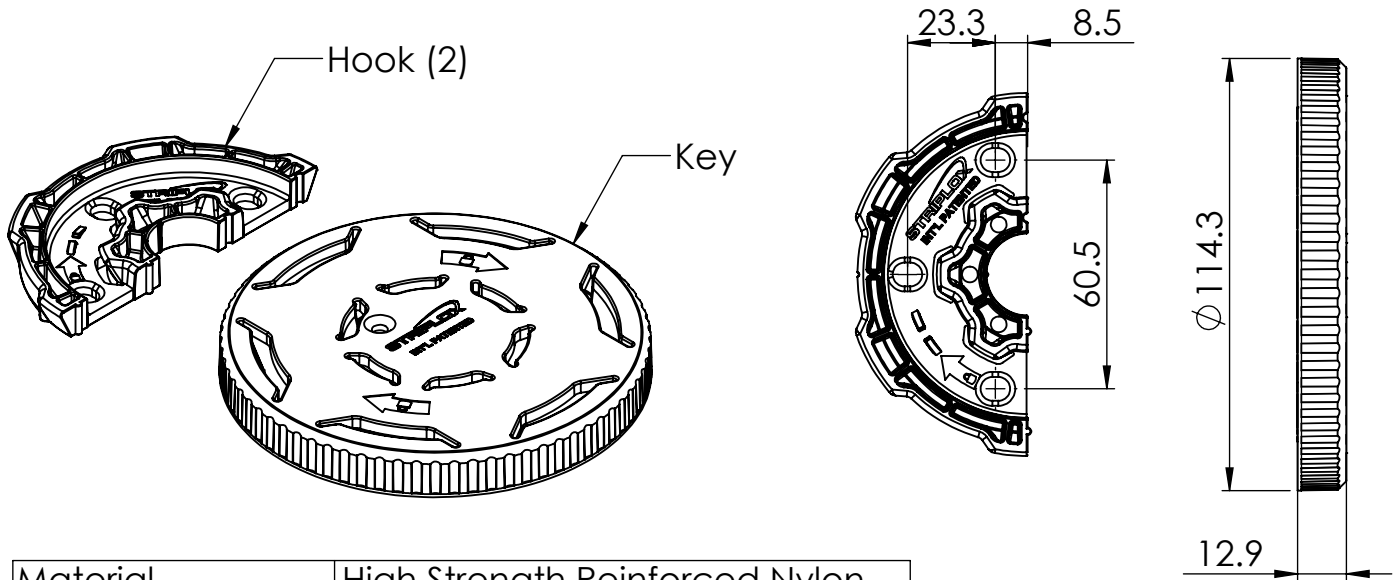
Rapid Assembly System



Mounting Data Sheet - Metric Version

All dimensions in mm

General Dimensions

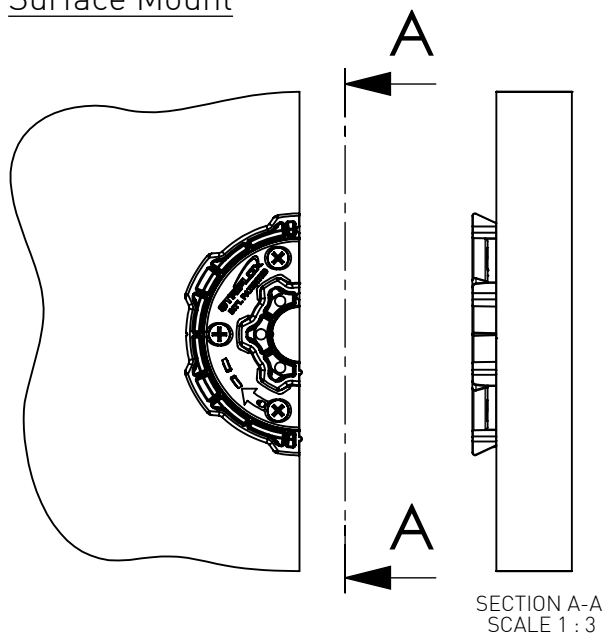


Material	High Strength Reinforced Nylon
Colour	Black/White
Fixing Method	8g Screws/Euro (x6) or Glue

*Ensure sufficient screw embedment in substrate

Mounting Dimensions

Surface Mount



Recess Mount

