

# Striplox Mini 60

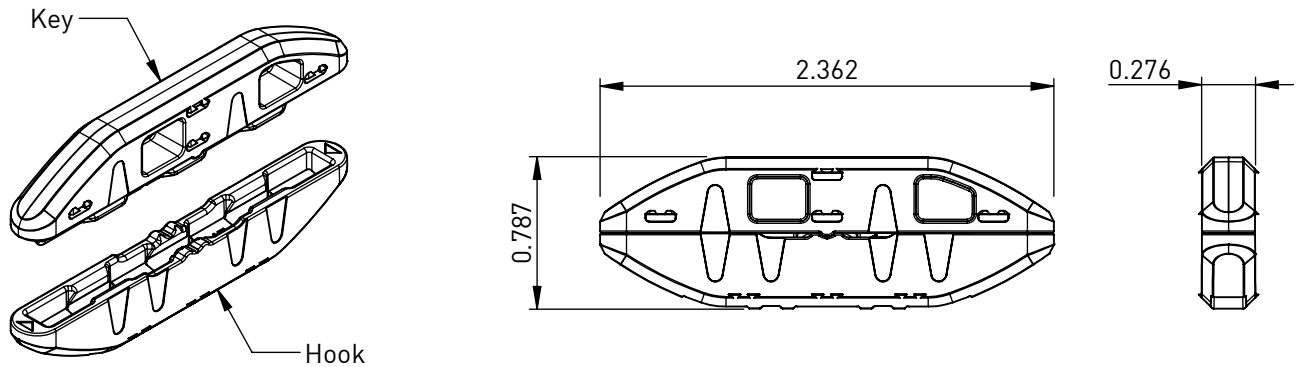
## Rapid Assembly Systems



### Mounting Data Sheet - US Version

All dimension in inches

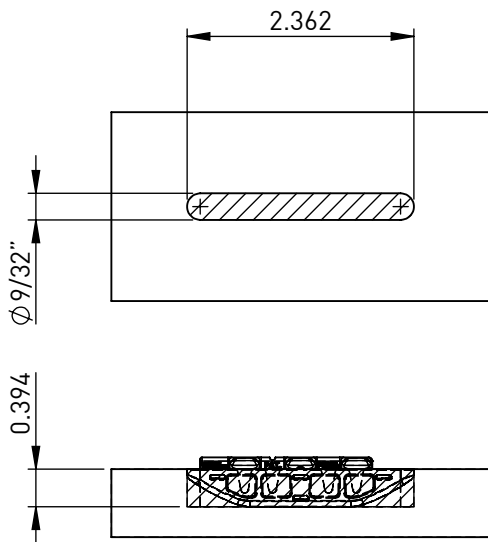
#### General Dimensions



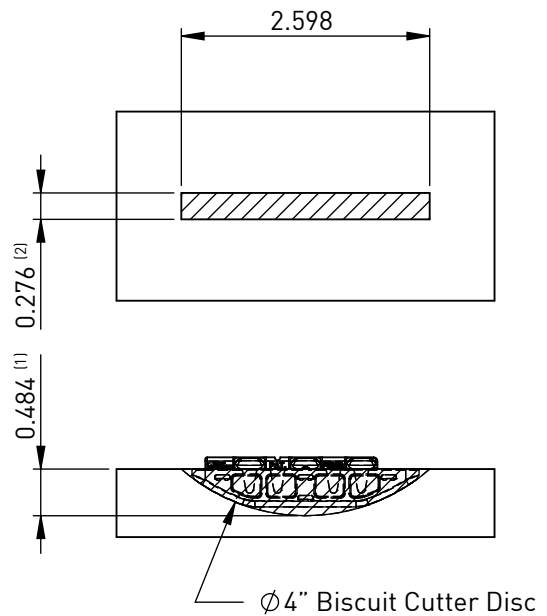
Material	High Strength Reinforced Nylon
Colour	Black
Fixing Method	Glue

#### Mounting Dimensions

##### Option A - Router Cut



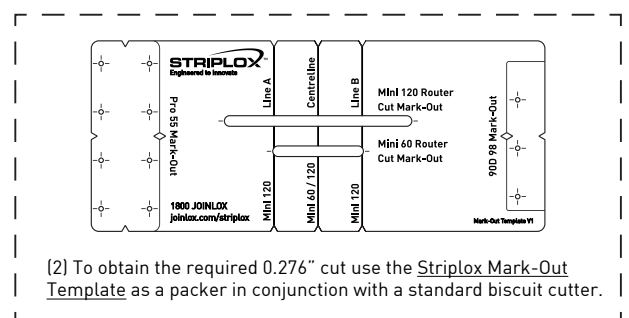
##### Option B - Biscuit Cutter



(1) #20 biscuit cutter depth setting

#### Notes:

1. Groove detail typical for both Hook and Key halves.
2. Key shown in groove.



(2) To obtain the required 0.276" cut use the Striplox Mark-Out Template as a packer in conjunction with a standard biscuit cutter.

# Striplox Mini 60

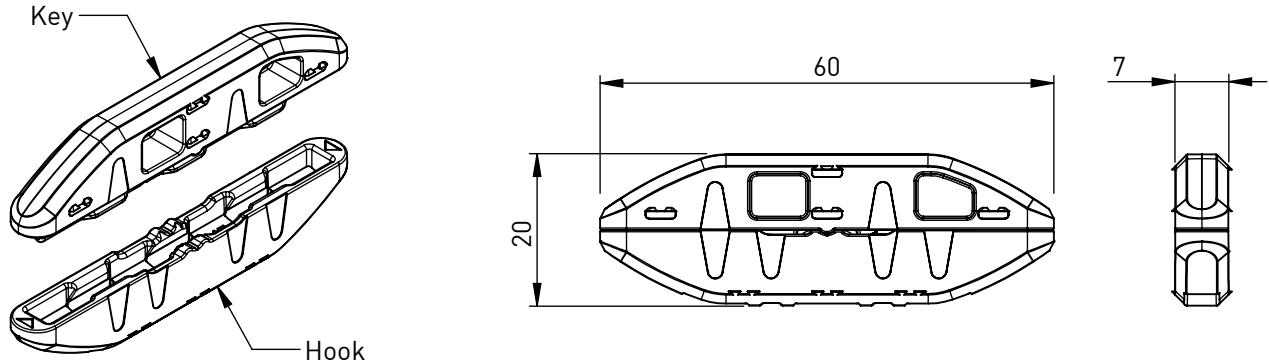
## Rapid Assembly Systems



### Mounting Data Sheet - Metric Version

All dimension in mm

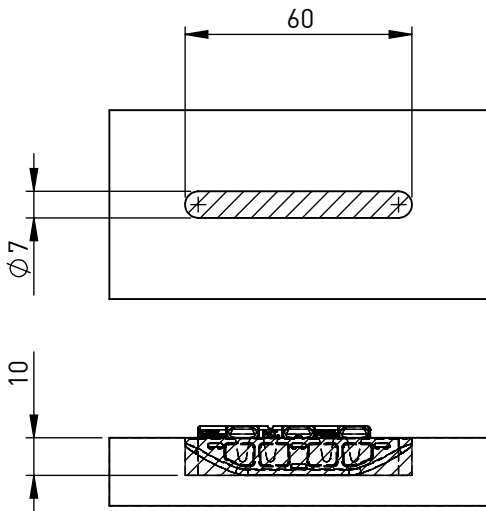
#### General Dimensions



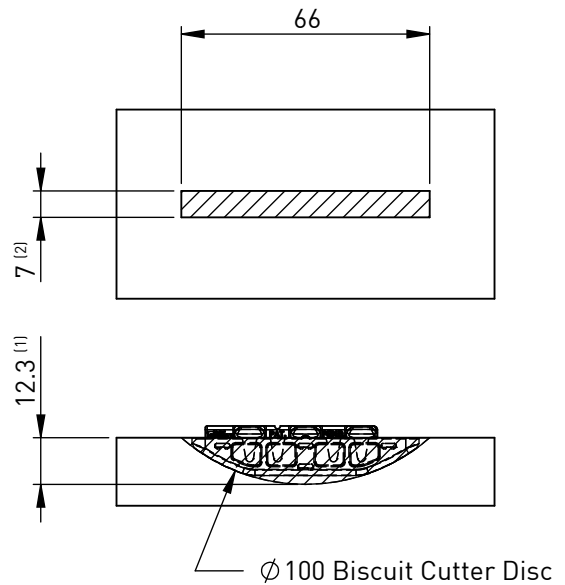
Material	High Strength Reinforced Nylon
Colour	Black
Fixing Method	Glue

#### Mounting Dimensions

##### Option A - Router Cut



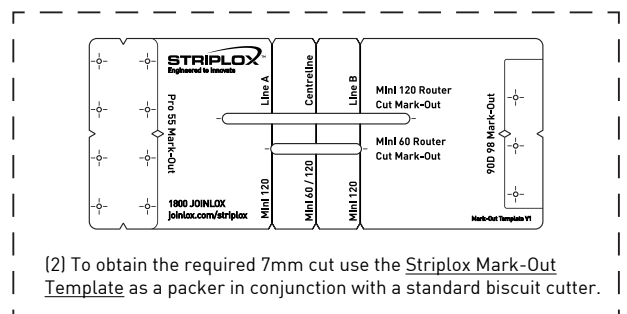
##### Option B - Biscuit Cutter



(1) #20 biscuit cutter depth setting

#### Notes:

1. Groove detail typical for both Hook and Key halves.
2. Key shown in groove.



(2) To obtain the required 7mm cut use the Striplox Mark-Out Template as a packer in conjunction with a standard biscuit cutter.