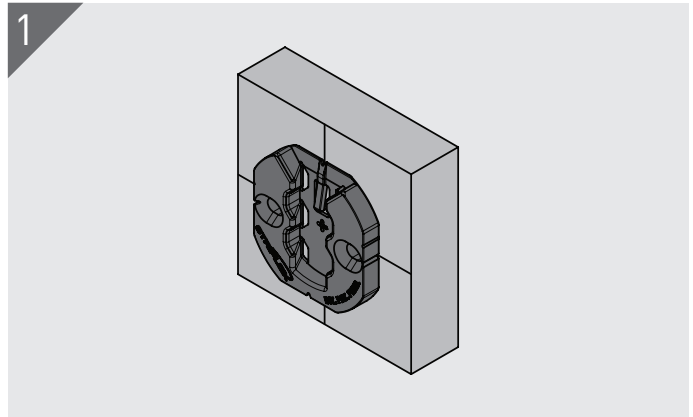
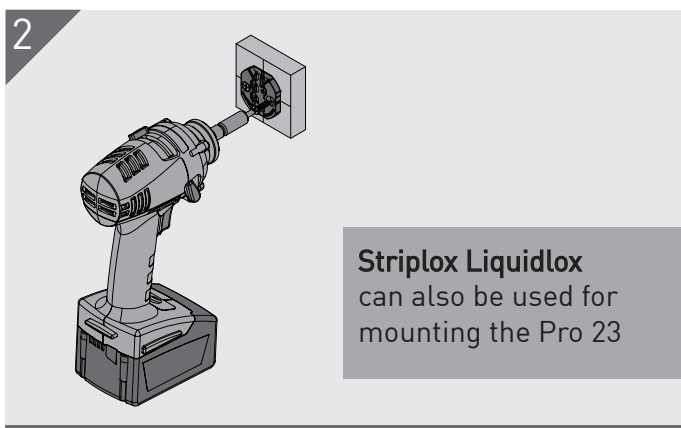


## Flush Mounting



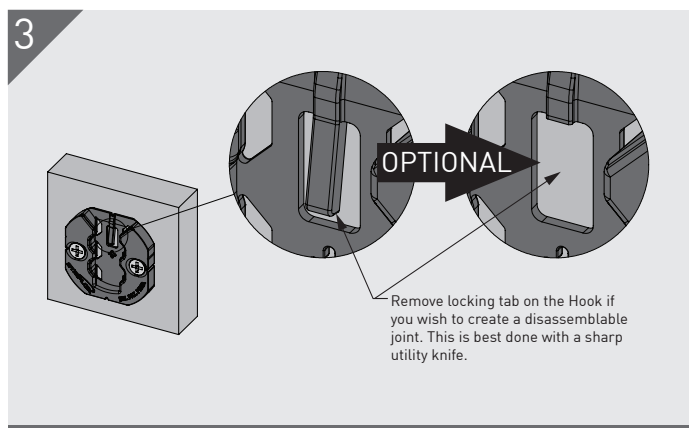
Mark center lines, vertical and horizontal, on both substrates. Flush mounting requires no additional preparation. Line the notches in each component (Hook shown here) with the center lines. **Mark-Out Template** can also be used.

Material	High Strength Reinforced Nylon
Colour	Black
Fixing Method	8G Screws (5x) or Glue



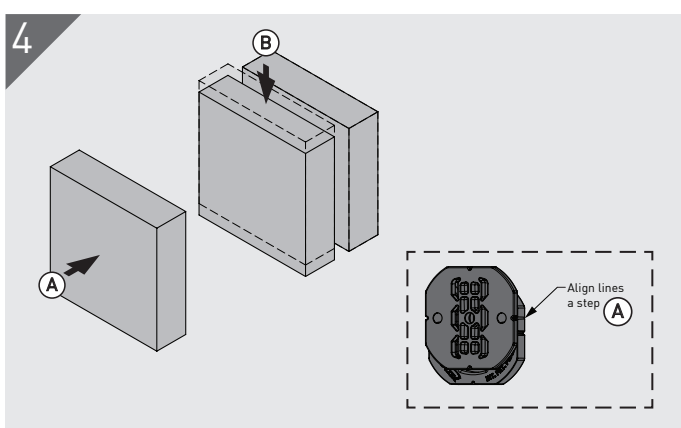
**Striplox Liquidlox** can also be used for mounting the Pro 23

Hold the component in place and fasten to the substrate with 8G screws. Repeat for matching component. Ensure sufficient screw embedment in substrate.

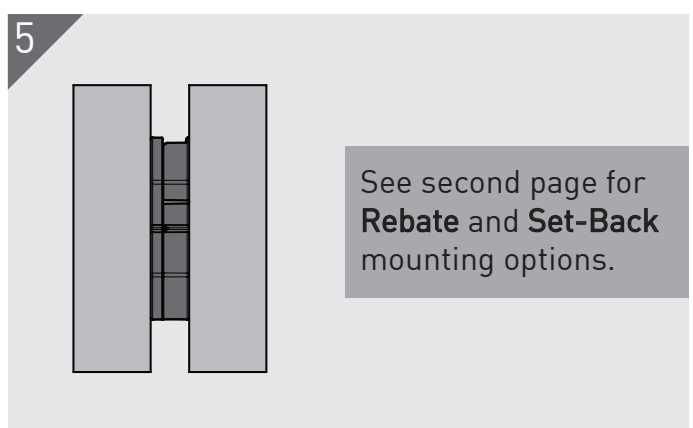


Remove locking tab on the Hook if you wish to create a disassemblable joint. This is best done with a sharp utility knife.

Prior to assembly, establish whether the joint is to be permanent or disassemblable.



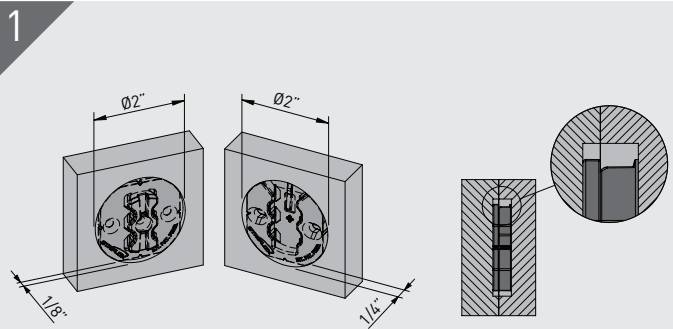
Assemble the joint remembering the Clip 50 only needs to travel 1 pitch for full engagement. Alignment lines are deigned into the parts to help with assembly.



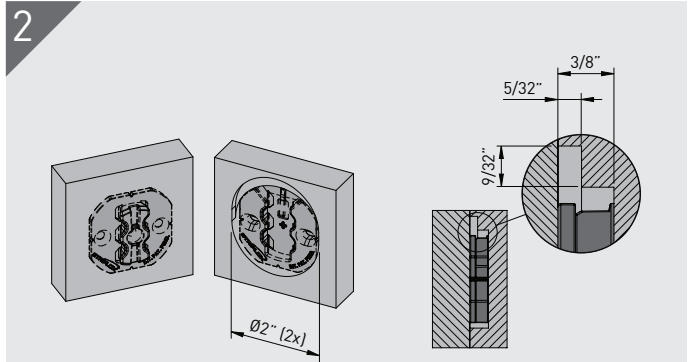
See second page for **Rebate** and **Set-Back** mounting options.

When assembled, the substrates will be separated by the thickness of the engaged Clip 50.

## Rebate Mounting

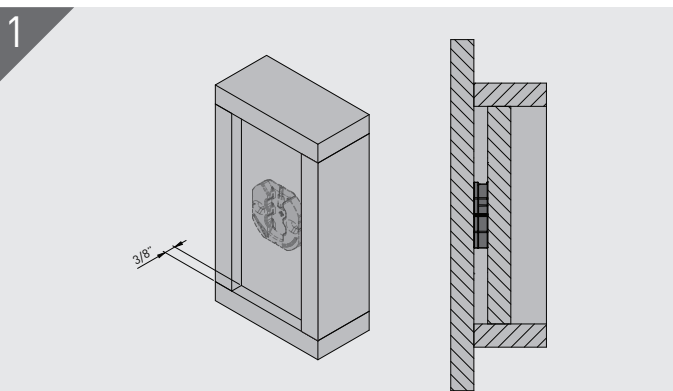


**Part Rebate** - each substrate mounting face is rebating as shown. Ensure sufficient screw embedment in substrate.



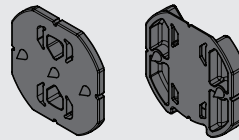
**Full Rebate** - 1 of the substrate mounting faces is rebating the full depth as shown. Ensure sufficient screw embedment in substrate.

## Set-Back Mounting



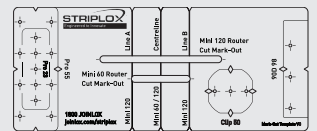
Setting back the mounting face of either the Hook (as shown) or Key by 9.5mm results in a concealed joint without the need to cut rebates.

## Installation Aids



### Striplox Clip 50 Jig

Designed to be used in conjunction with either the Clip 50 Key or Hook to mark screw locations in a wide variety of substrates.

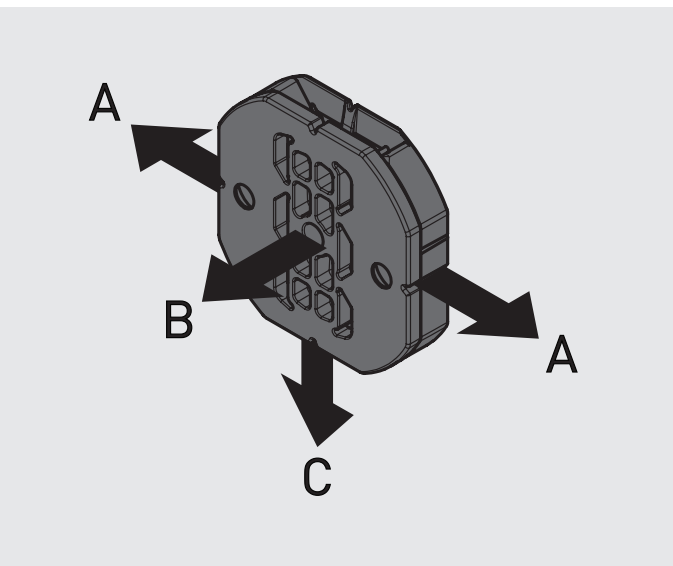


### Striplox Mark-Out Template

Developed to aid in the installation of the Striplox Pro 23, Pro 55, 90D 98, Clip 50, Mini 60 and 120.

Visit [joinlox.com/striplex](http://joinlox.com/striplex) or call 1800 JOINLOX to find out more about these installation aids.

## Load Capacity



Direction	Indic. Load Capacity
A	209 lb
B	209 lb
C	275 lb

- Tested using particle board and fixed with screws.
- Ensure sufficient screw embedment in substrate.