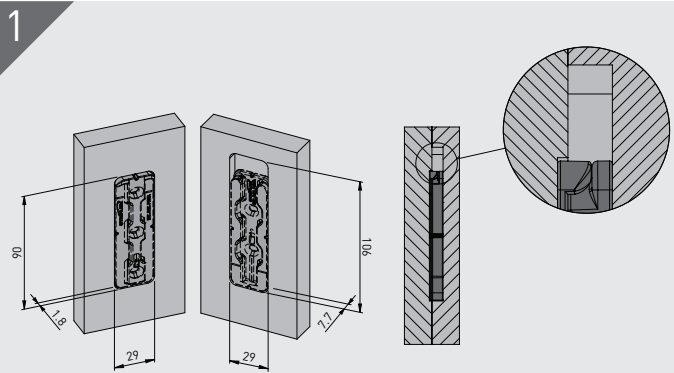
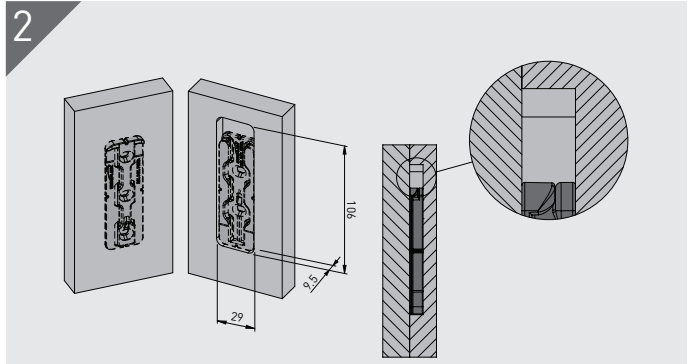


Rebate Mounting

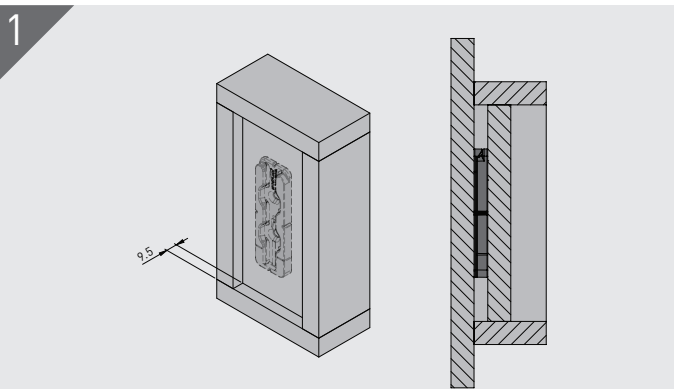


Part Rebate - each substrate mounting face is rebating as shown. Ensure sufficient screw embedment in substrate.



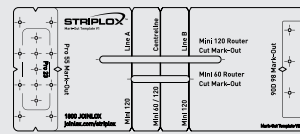
Full Rebate - 1 of the substrate mounting faces is rebating the full depth as shown. Ensure sufficient screw embedment in substrate.

Set-Back Mounting



Setting back the mounting face of either the Hook (as shown) or Key by 9.5mm results in a concealed joint without the need to cut rebates.

Installation Aids



Striplox Mark-Out Template

Developed to aid in the installation of the Striplox Pro 23, Pro 55, 90D 98, Mini 60 and 120.

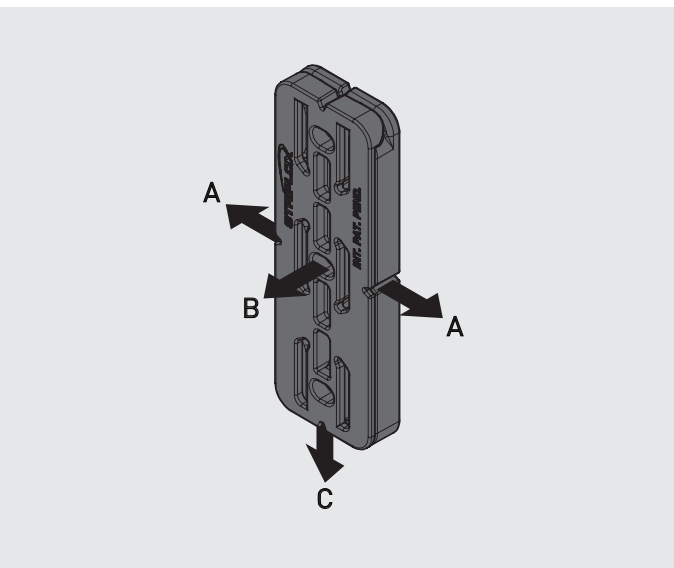


Striplox Liquidlox

Instant adhesive with a 15 second cure time. Liquidlox delivers a strong and reliable connection between Striplox products and most substrates.

Visit joinlox.com/striplox or call **1800 JOINLOX** to find out more about these installation aids.

Load Capacity



Direction	Indic. Load Capacity
A	110 kg
B	95 kg
C	160 kg

- Tested using particle board and fixed with screws.
- Ensure sufficient screw embedment in substrate.