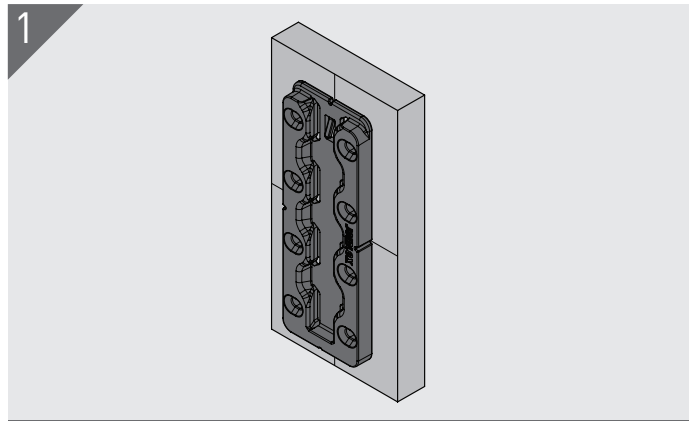
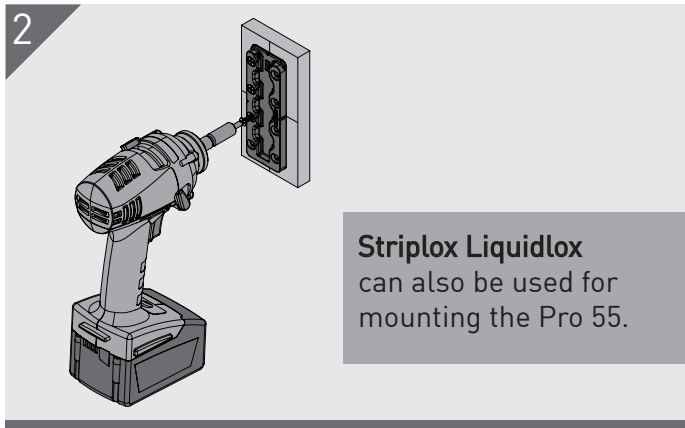


Flush Mounting



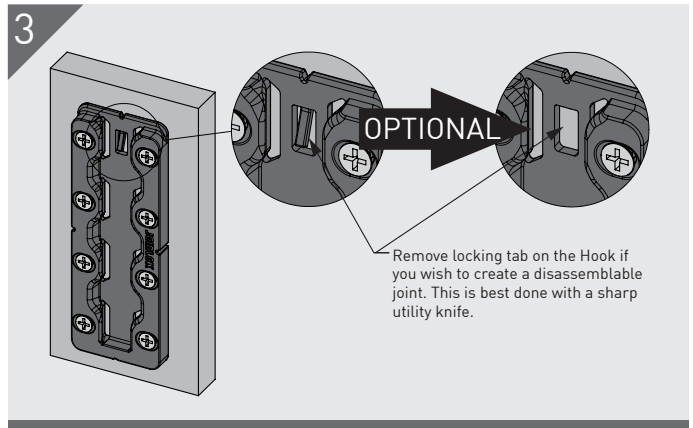
Mark center lines, vertical and horizontal, on both substrates. Flush mounting requires no additional preparation. Line the notches in each component (Hook shown here) with the center lines. **Mark-Out Template** can also be used.

Material	High Strength Reinforced Nylon
Colour	Black
Fixing Method	8G Screws (8x) or Glue



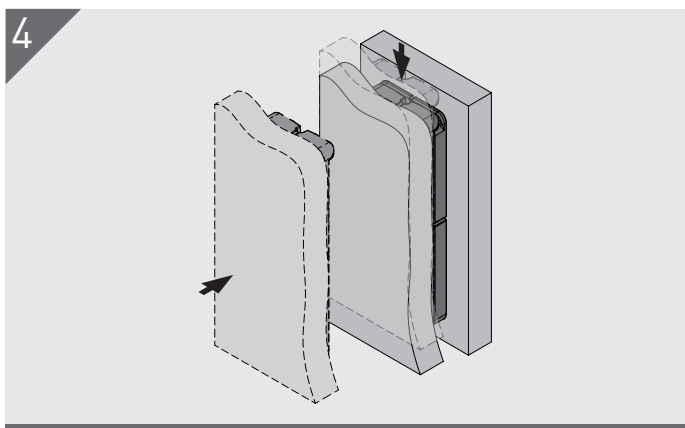
Striplox Liquidlox can also be used for mounting the Pro 55.

Hold the component in place and fasten to the substrate with 8 x 8G screws. Repeat for matching component. Ensure sufficient screw embedment in substrate.

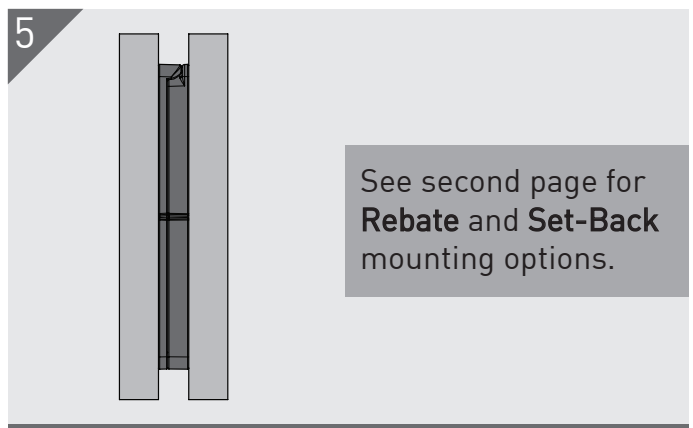


Remove locking tab on the Hook if you wish to create a disassemblable joint. This is best done with a sharp utility knife.

Prior to assembly, establish whether the joint is to be permanent or disassemblable.



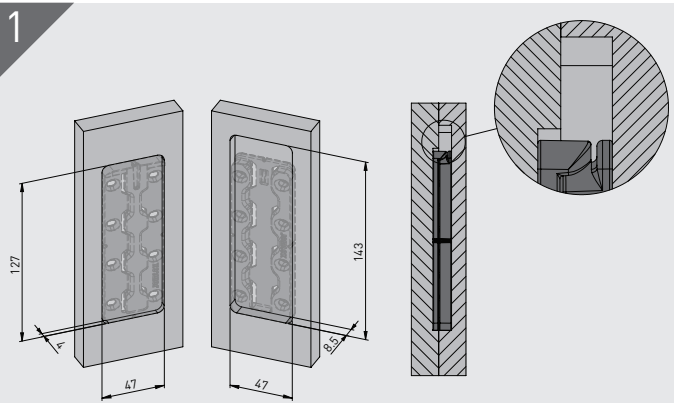
Assemble the joint remembering the Pro 55 only needs to travel 1 pitch for full engagement.



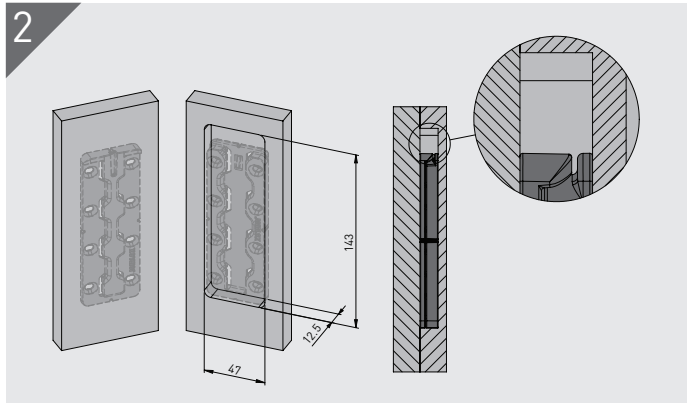
See second page for **Rebate** and **Set-Back** mounting options.

When assembled, the substrates will be separated by the thickness of the engaged Pro 55.

Rebate Mounting

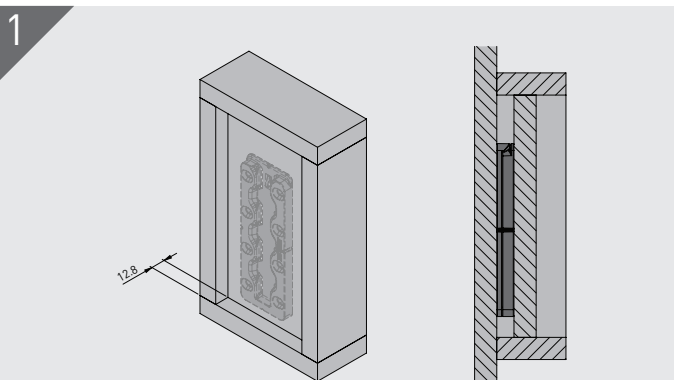


Part Rebate - each substrate mounting face is rebating as shown. Ensure sufficient screw embedment in substrate.



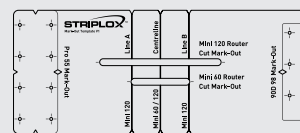
Full Rebate - 1 of the substrate mounting faces is rebating the full depth as shown. Ensure sufficient screw embedment in substrate.

Set-Back Mounting



Setting back the mounting face of either the Hook (as shown) or Key by 12.8mm results in a cancelled joint without the need to cut rebates.

Installation Aids



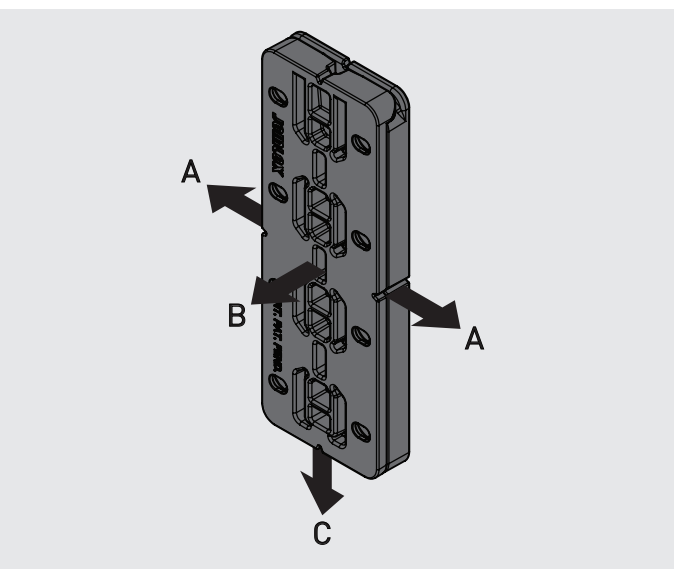
Striplox Mark-Out Template
Developed to aid in the installation of the Striplox Pro 55, 90D 98, Mini 60 and 120.



Striplox Liquidlox
Instant adhesive with a 15 second cure time. Liquidlox delivers a strong and reliable connection between Striplox products and most substrates.

Visit joinlox.com/striplox or call **1800 JOINLOX** to find out more about these installation aids.

Load Capacity



Direction	Indic. Load Capacity
A	200 kg
B	106 kg
C	200 kg

- Tested using particle board and fixed with screws.
- Ensure sufficient screw embedment in substrate.