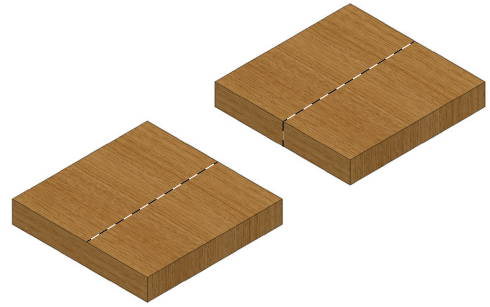


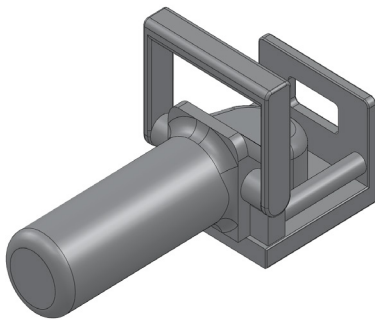
| | |
|---------------|---------------------------------|
| Material | High Impact Poly Styrene (HIPS) |
| Colour | Black |
| Fixing Method | Knock in or Glue |

1



Mark out position on both surfaces to align.

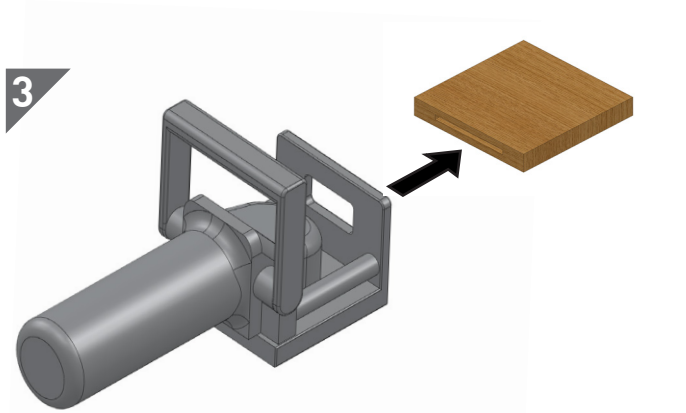
2



Use 100 dia cutter
4mm thick

Set depth stop to #20 on Biscuit Cutter/ Plate Joiner and plunge in on centreline position or cut position with router using 4mm bit.

3



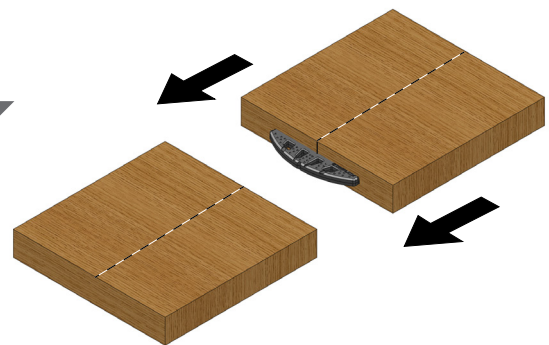
Plunge into substrate ensuring you have centered the cut in the center of the board.

4



Position Biscuit at centreline and knock in with hammer. Unique grips will hold in place (no glue required). Glue may be used (CA). Glue will travel into void areas.

5



Position both surfaces together aligned and move together to form joint.(180 degree, T Joint, Box joint and Mitre joints).

Striplox products are designed and tested for a range of applications. Product use is subject to variable materials and conditions. Technical information and load capacities are a guide only without warranty. A1 Cabinet Supplies Pty Ltd will not be liable for any subsequent damage to, or loss from, the use of these products or this information.

Visit www.striplox.com to find out more about these installation aids.

Striplox™ are trademark and patent protected internationally.
Installation Guide No 20 Biscuit - V 1.0 14.08.18