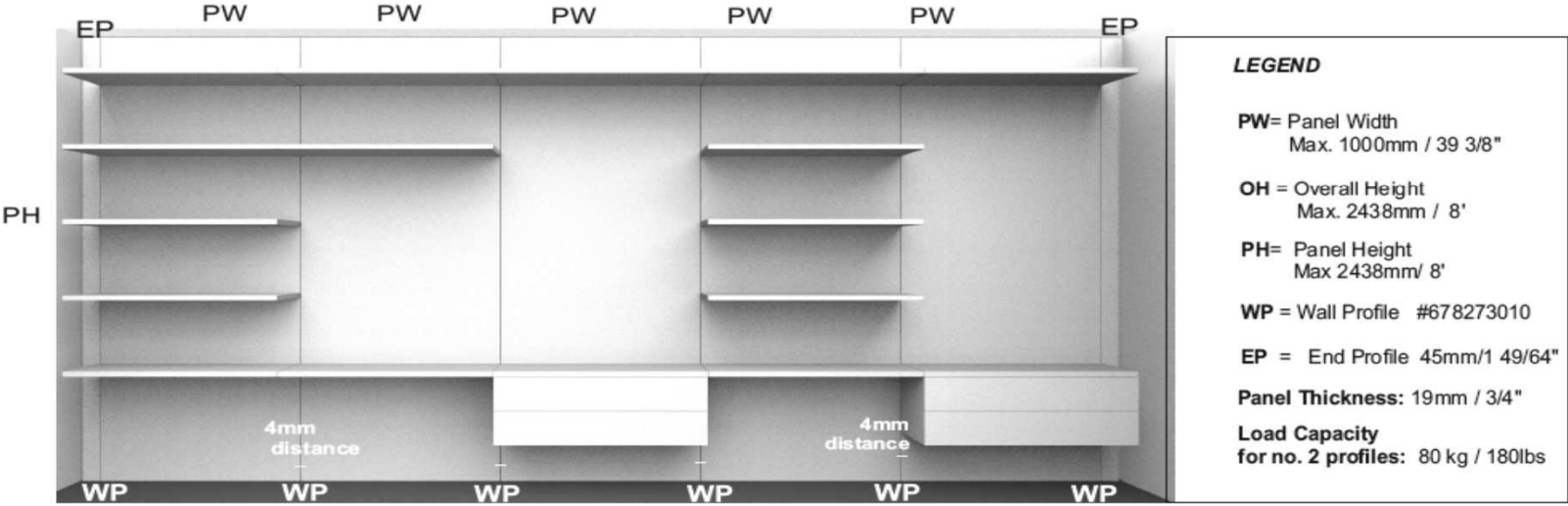


SINGLE WALL

OVERALL DIMENSIONS



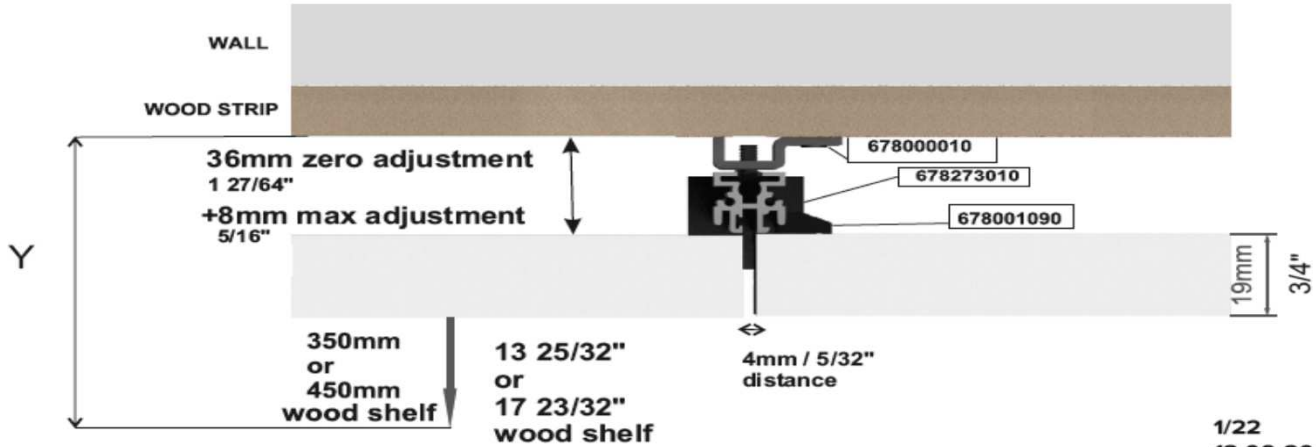
OVERALL DEPTH

Min and Max DEPTH (Y) with min and max adjustment and shelf depth available.

wood strips thickness = 19mm

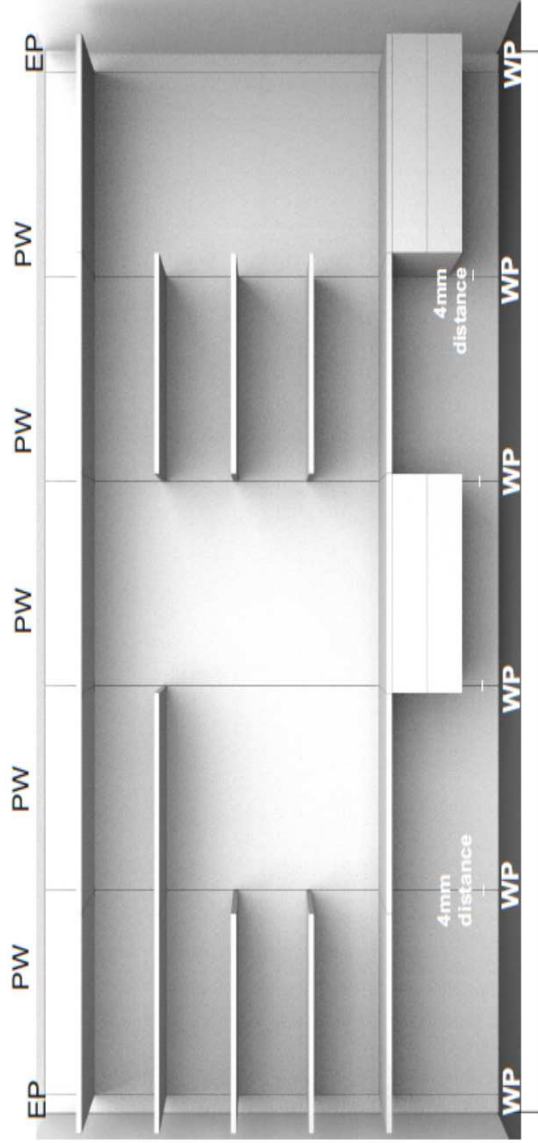
Y= min.405mm

Y= max. 513mm



SINGLE WALL

OVERALL WIDTH



LEGEND

PW= Panel Width
Max. 1000mm / 39 3/8"

OH = Overall Height
Max. 2438mm / 8'

PH= Panel Height
Max 2438mm/ 8'

WP = Wall Profile #678273010

EP = End Profile 45mm/1 49/64"

Panel Thickness: 19mm / 3/4"

Load Capacity
for no. 2 profiles: 80 kg / 180lbs

OW= Overall installation width required:

EP: end profile width 45mm / 1 49/64"

QWP: (quantity of WP-wall profiles)#678273010 to order = # of panels+1
4mm(5/32") : distance in between 2 wall panels

OW= 90mm +sum of all PW+ (4mmxQWP)

OW= 3 35/64" +sum of all PW+ (5/32" x QWP)

ELEMENTS MIN-MAX DIMENSIONS

**REAR PANEL,
SHELF and
CABINET
MUST HAVE SAME WIDTH**

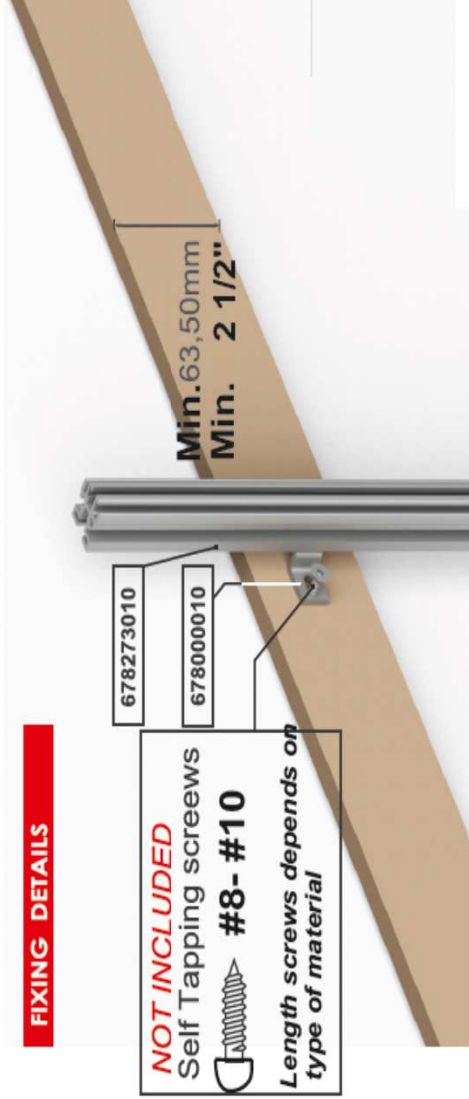
<u>REAR PANEL:</u>	Max. Width	1000mm / 39 3/8"
	Max. Height	2438mm / 8'
	Thickness	19mm / 3/4"

<u>SHELF:</u>	Max. Width	1000mm / 39 3/8"
	Depth:	350mm / 13 25/32" or 450mm / 17 23/32"
	Thickness:	19mm / 3/4" or 25mm 63/64"

<u>CABINET:</u>	Max. Width	1000mm / 39 3/8"
	Depth:	350mm / 13 25/32" or 450mm / 17 23/32"

<u>END GABLE:</u>	Max. Height	2438mm / 8'
	Min Width:	45mm / 1 49/64"

WALL PREPARATION and WALL FIXING POSITION



FIXING DETAILS

NOT INCLUDED

Self Tapping screws

#8- #10

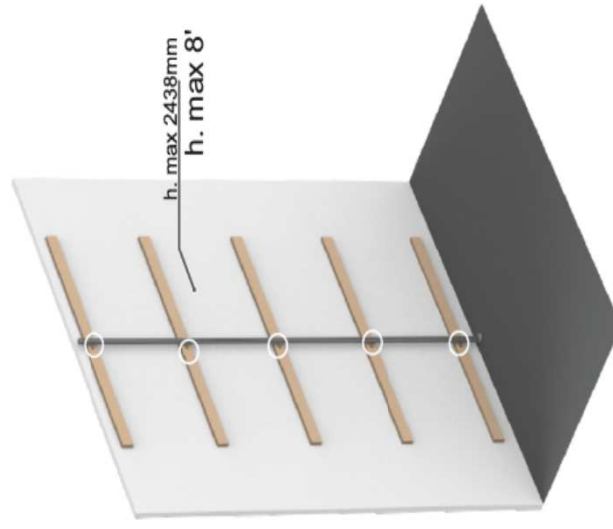
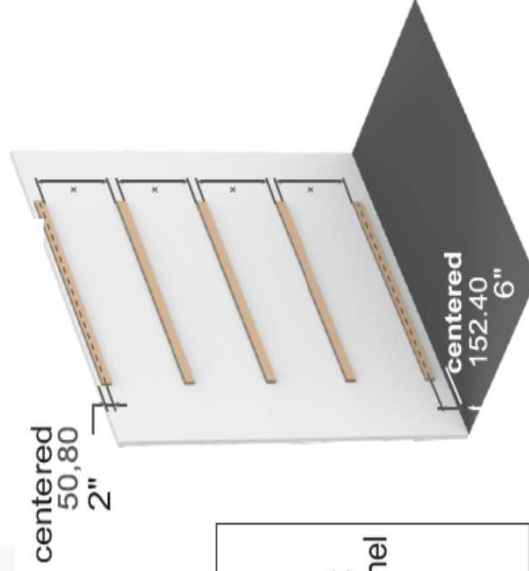
Length screws depends on type of material

678273010

678000010

Min. 63,50mm
Min. 2 1/2"

Max. Panel dimensions:
Height: 2438mm / 8'
Width: 1000mm / 39 3/8"

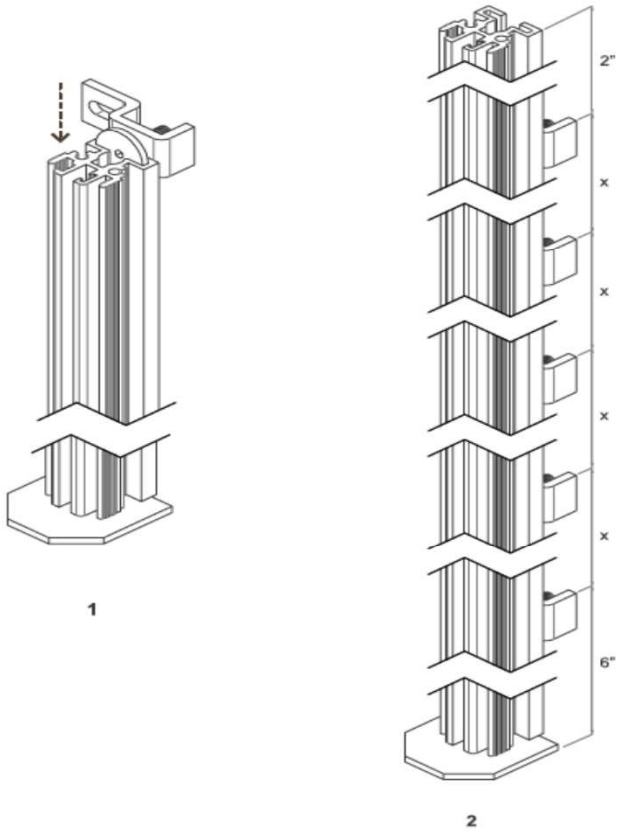
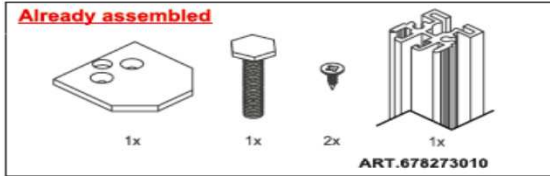
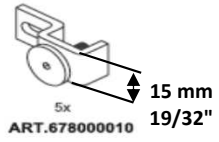


Wood strips installation:

first strip: centered 50,80mm/ 2" lower than panel height
last strip: centered 152,40mm/ 6" higher than bottom panel
others strips: X= 500mm** / 19 11/16"

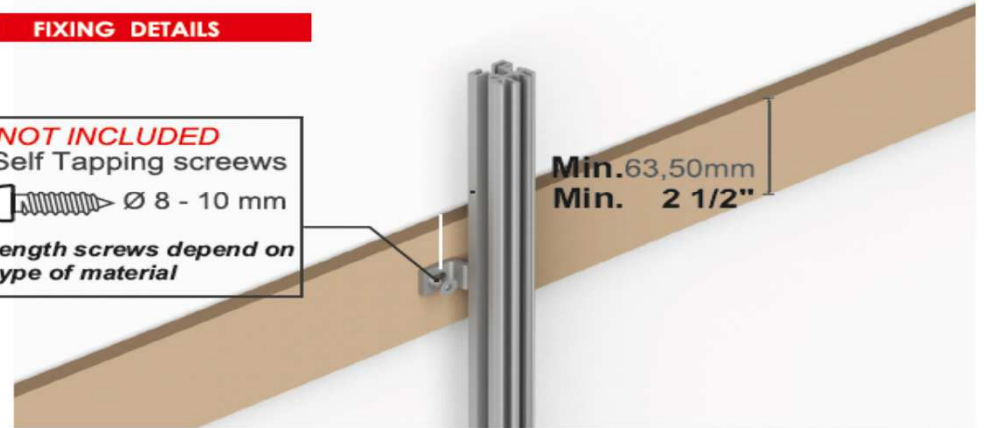
** dimension with 8' panels

PROFIL PREPARATION

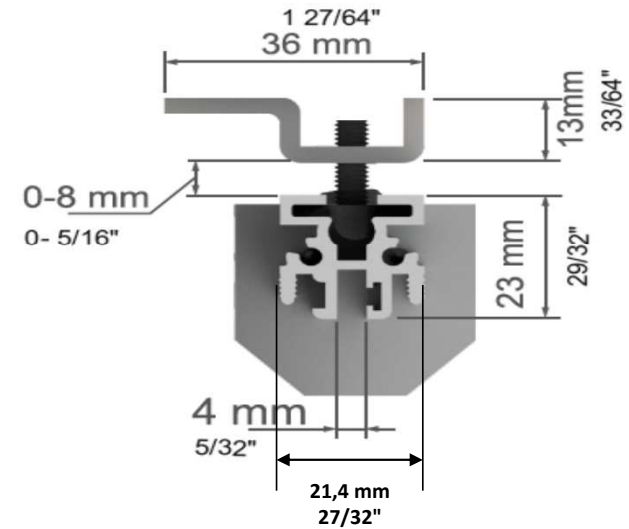


FIXING DETAILS

NOT INCLUDED
Self Tapping screws
Ø 8 - 10 mm
Length screws depend on
type of material



TOP VIEW DETAILS



PROFIL PREPARATION


Bottom Shelf Positioning

Min Height
from Floor to underneath the shelf:
65mm / 2 9/16"



PANEL PREPARATION

ART. 578001090



10X

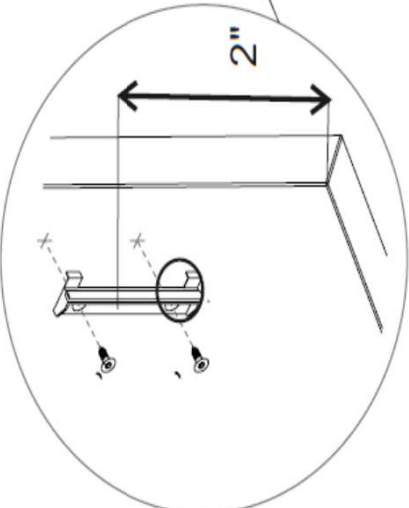
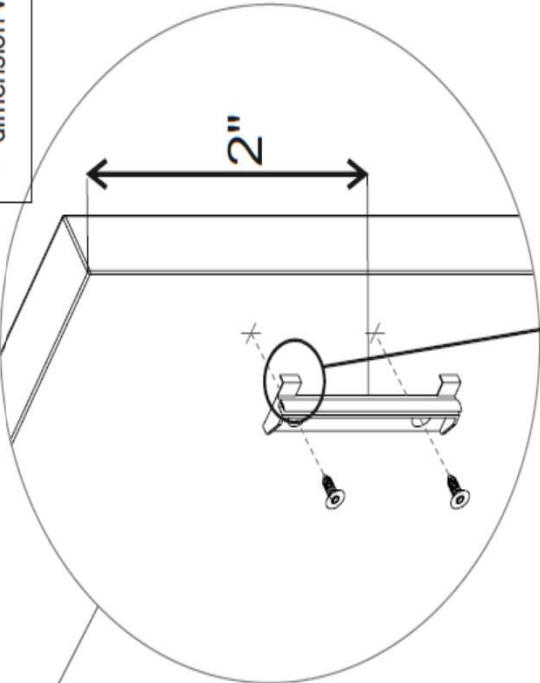
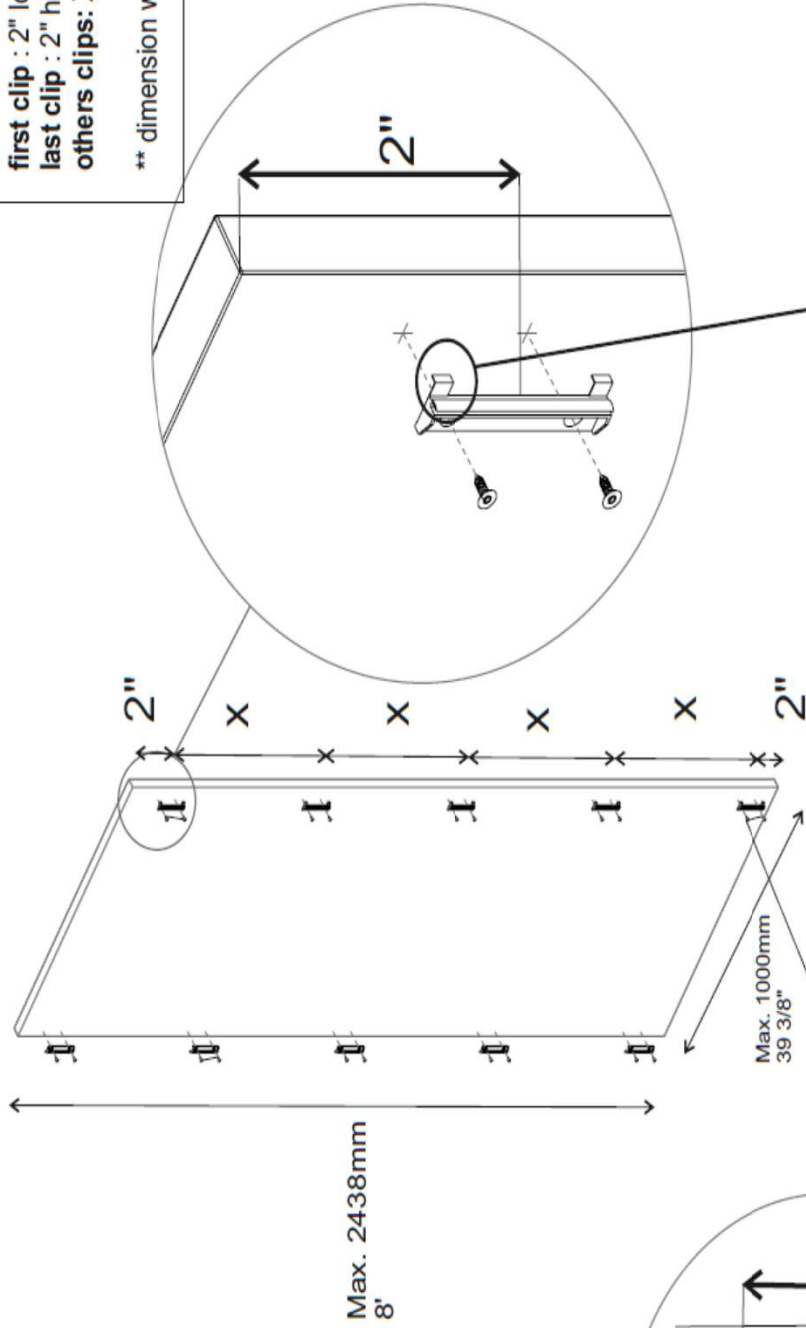
Wood Screws
Not Included

20X

Suggested Clip Position:
all dimensions: center of the clip.

first clip : 2" lower than panel height
last clip : 2" higher than panel height
others clips: X= 584,2mm / 23" **

** dimension with 8' panel



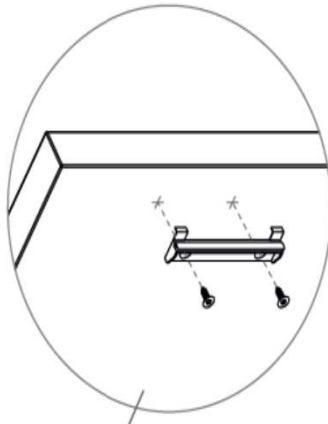
Lip of the spacers
comes to side of the panel
to indicate right location of the holes

END PROFILE

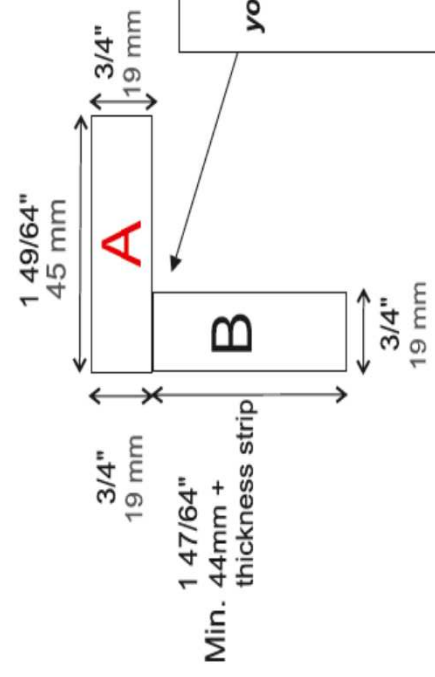
ART. 678001090



Wood Screws
Not Included



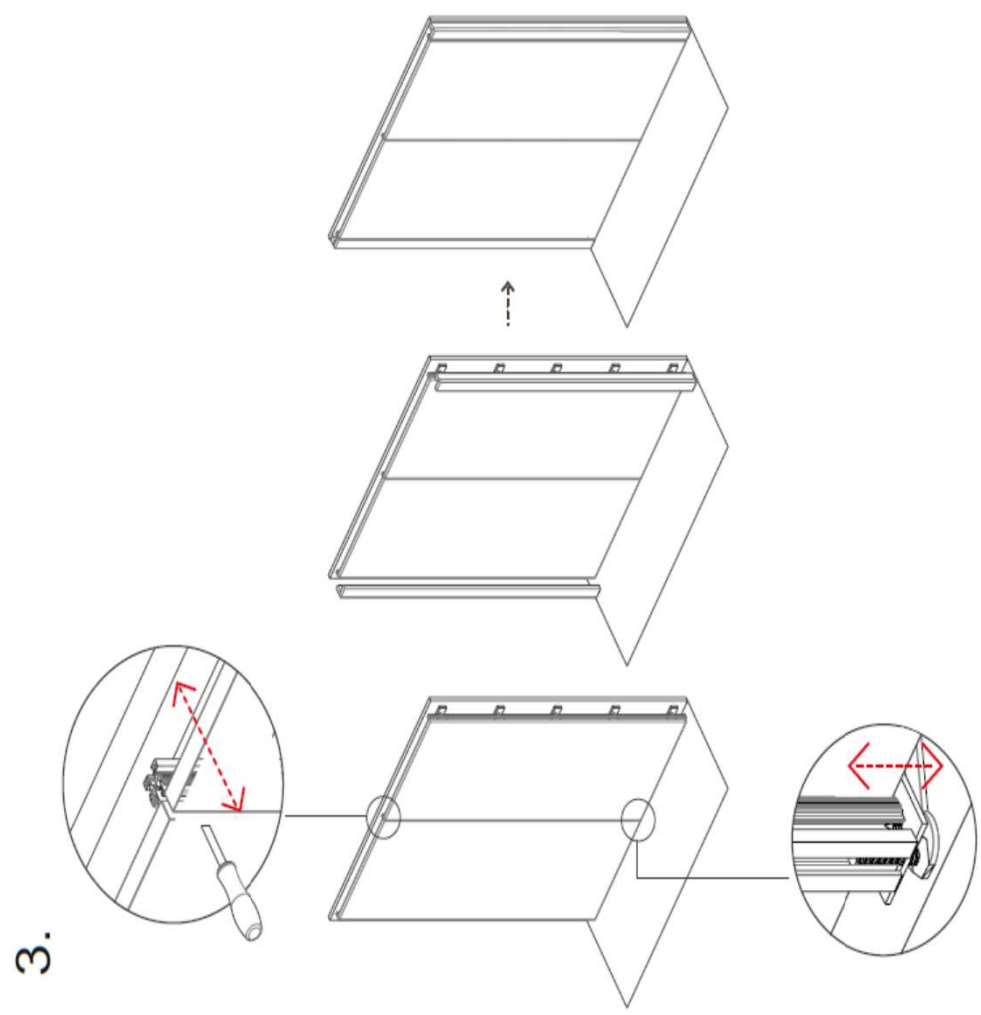
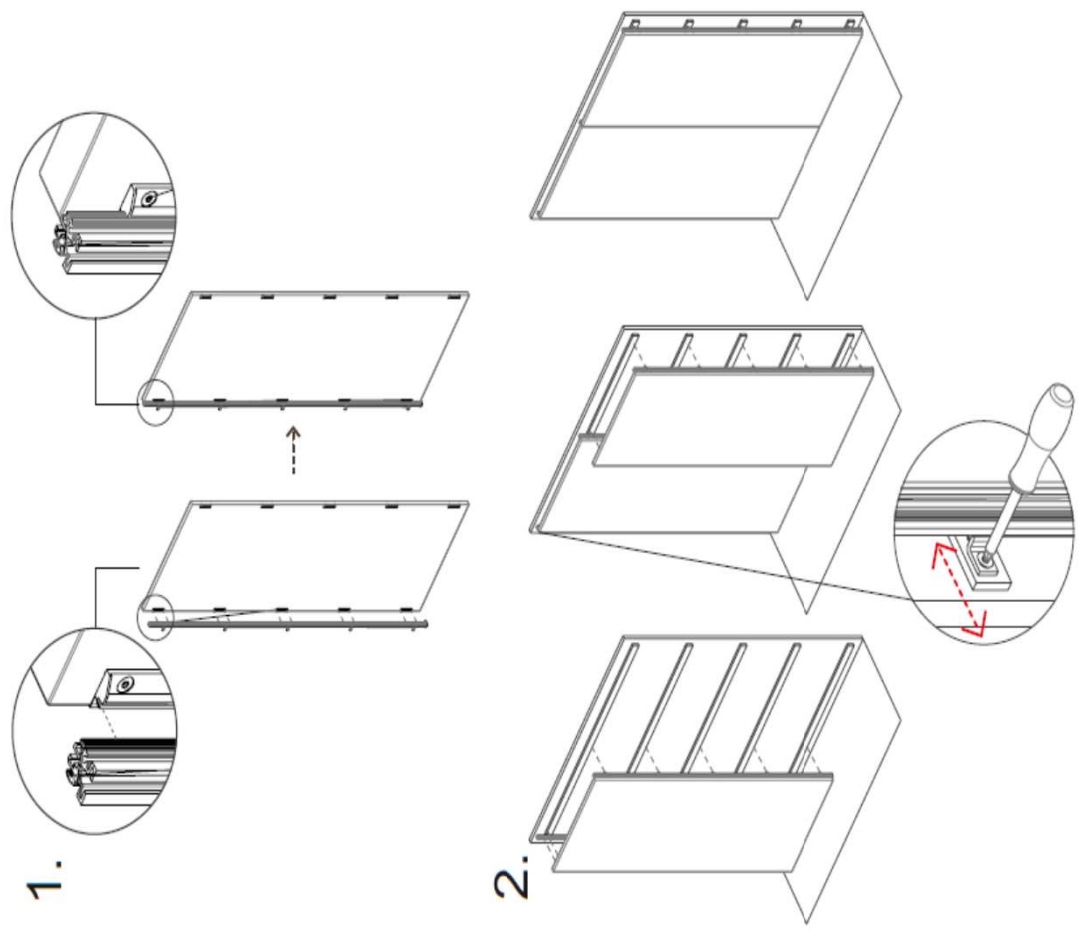
TOP VIEW



To fix A with B element,
you can use the Wooden Dowels
(NOT INCLUDED)

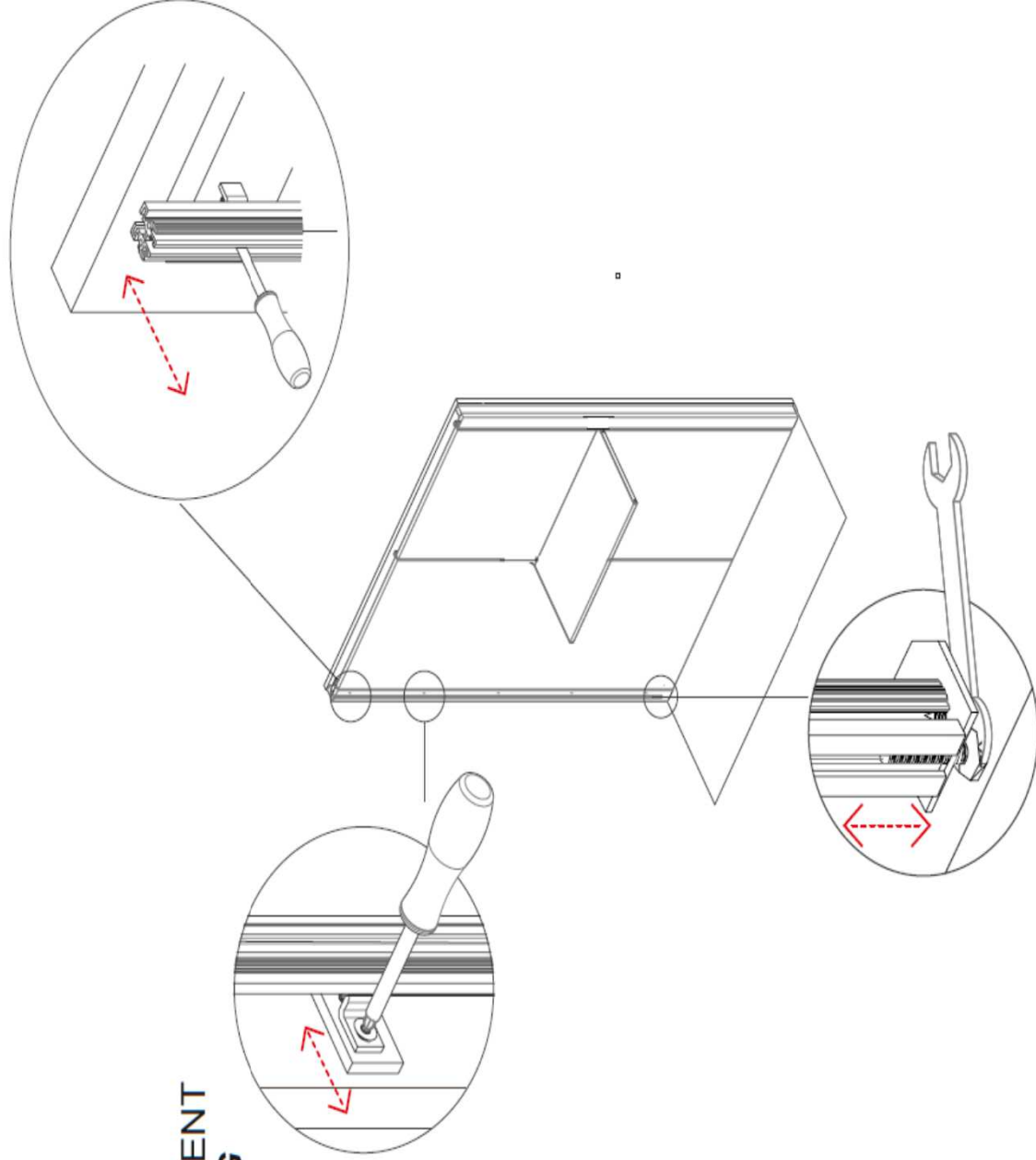


PROFIL -MOUNTING STEP-

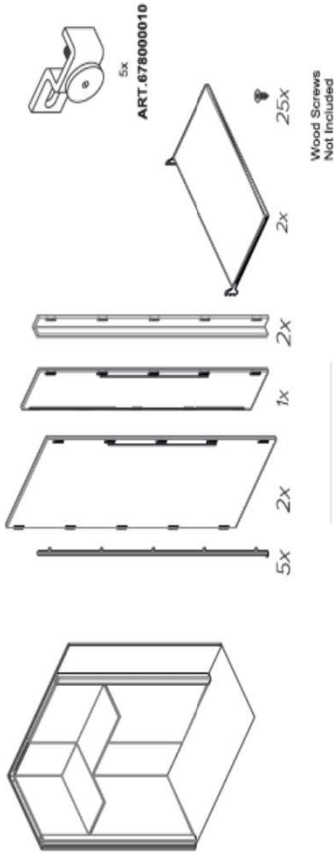


ADJUSTMENT STEPS

FOCUS ON FINE 3D ADJUSTMENT *AFTER MOUNTING*



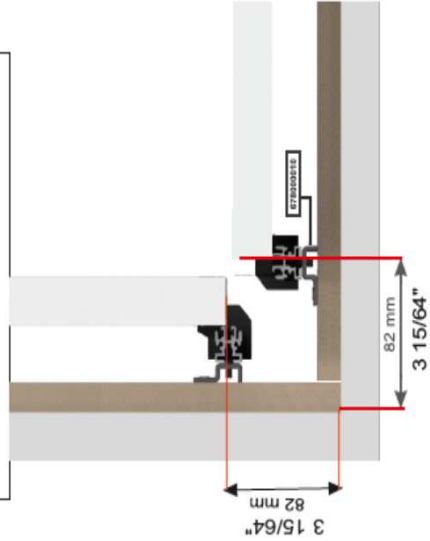
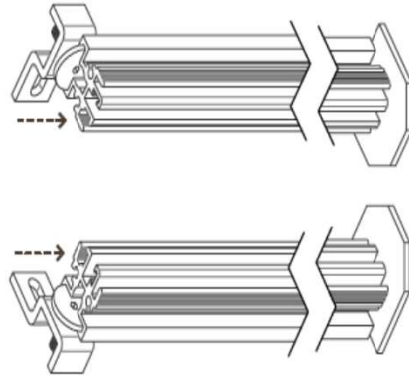
CORNER OPTION



Max. Panel dimensions:
 Height: 2438mm / 8'
 Width: 1000mm / 39 3/8"

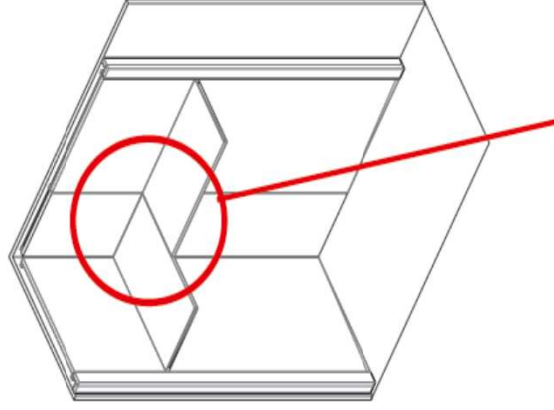
*** FIRST PANEL OF THE CORNER:**
 450mm/ 17 23/32" WIDTH

Max. Shelf dimensions:
 Depth: 350mm or 450mm
 13 25/32" or 17 23/32"
 Width: 1000mm/ 39 3/8"



CORNER OPTION

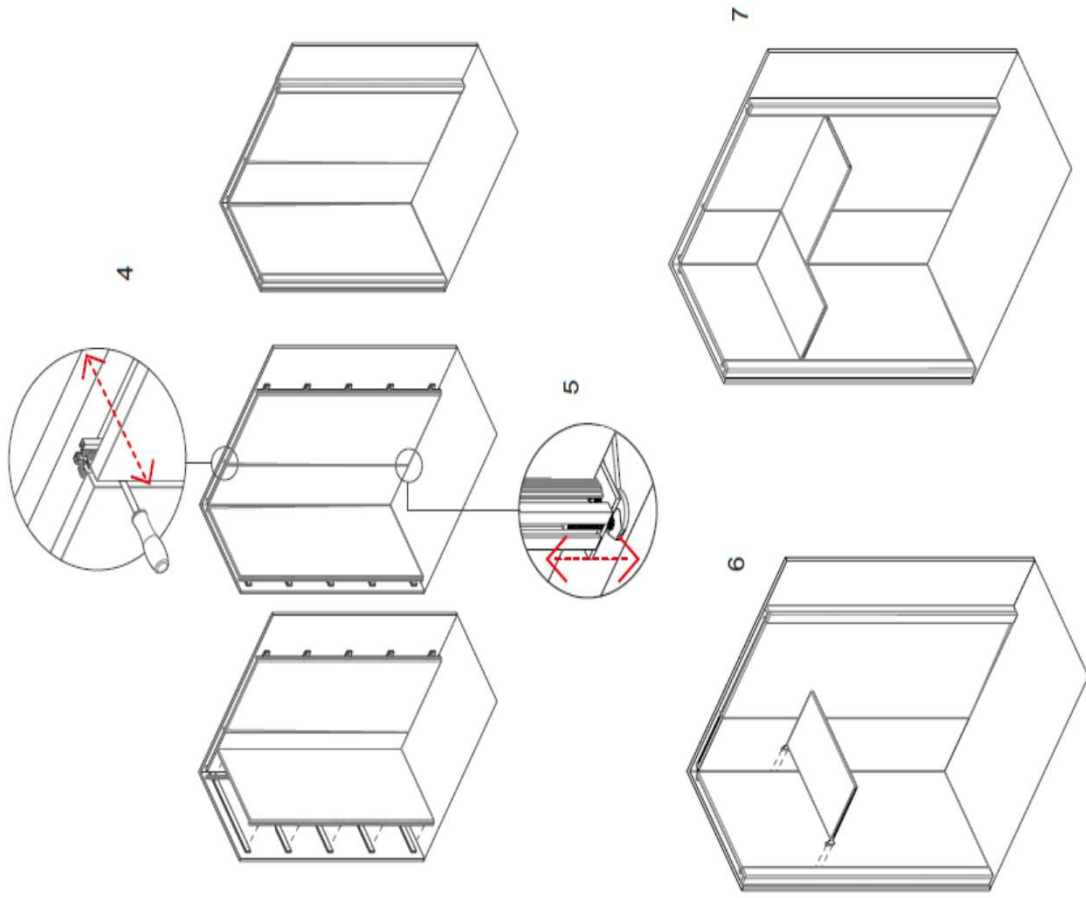
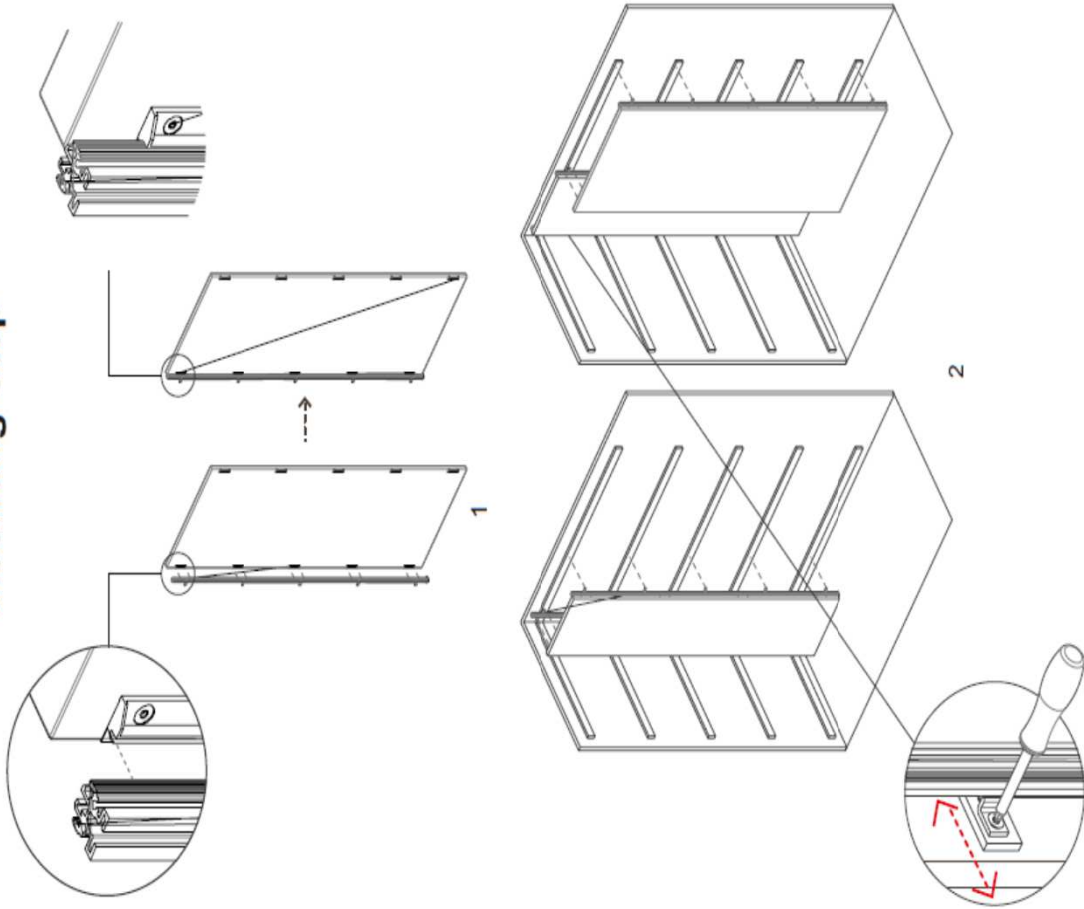
For bottom and top shelves,
 You have to use 450mm depth self.



You can have this connection
ONLY using 450mm depth shelf.

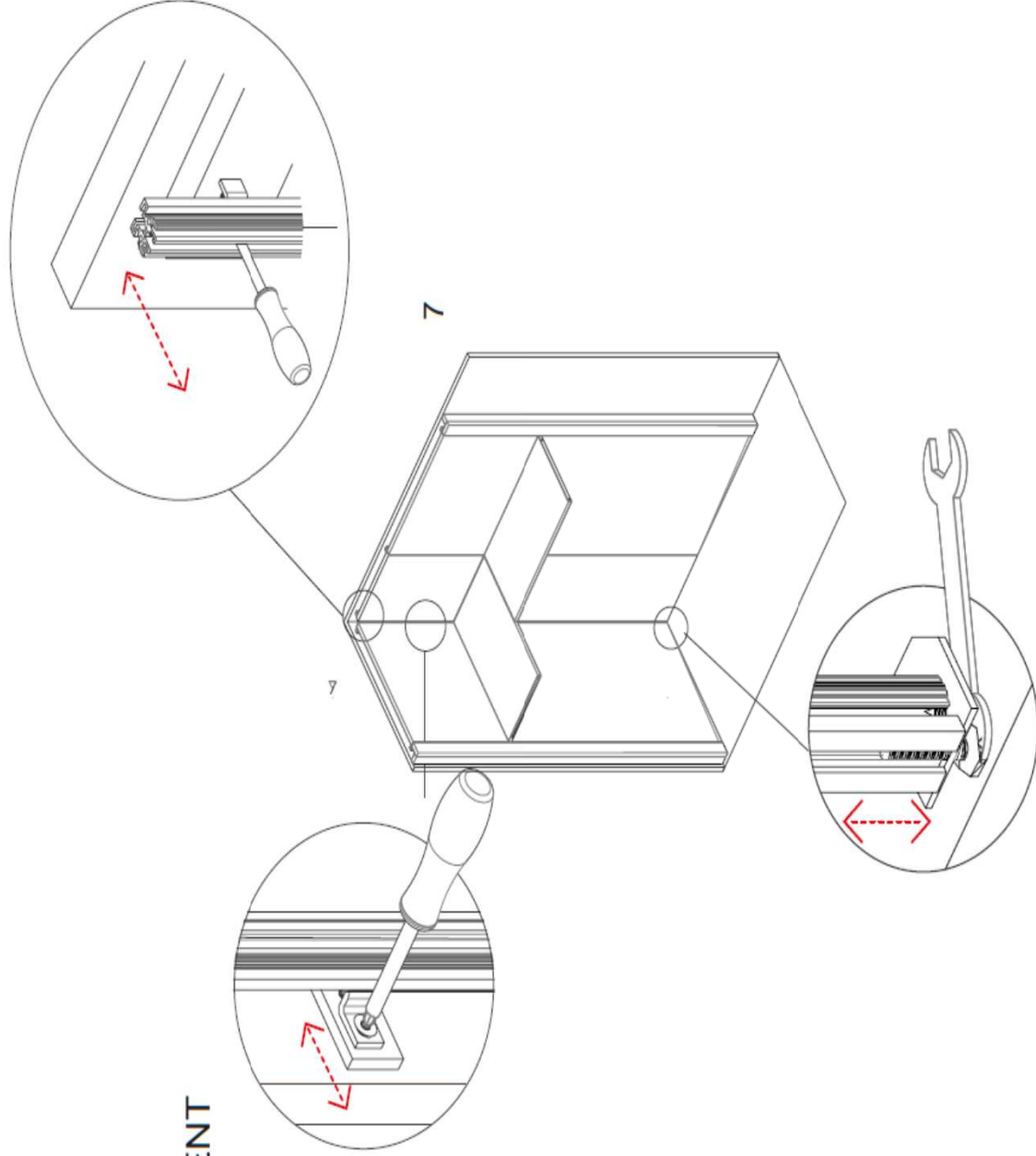
*In between, using 350mm depth shelf
 you cannot have this connection.

Mounting Step

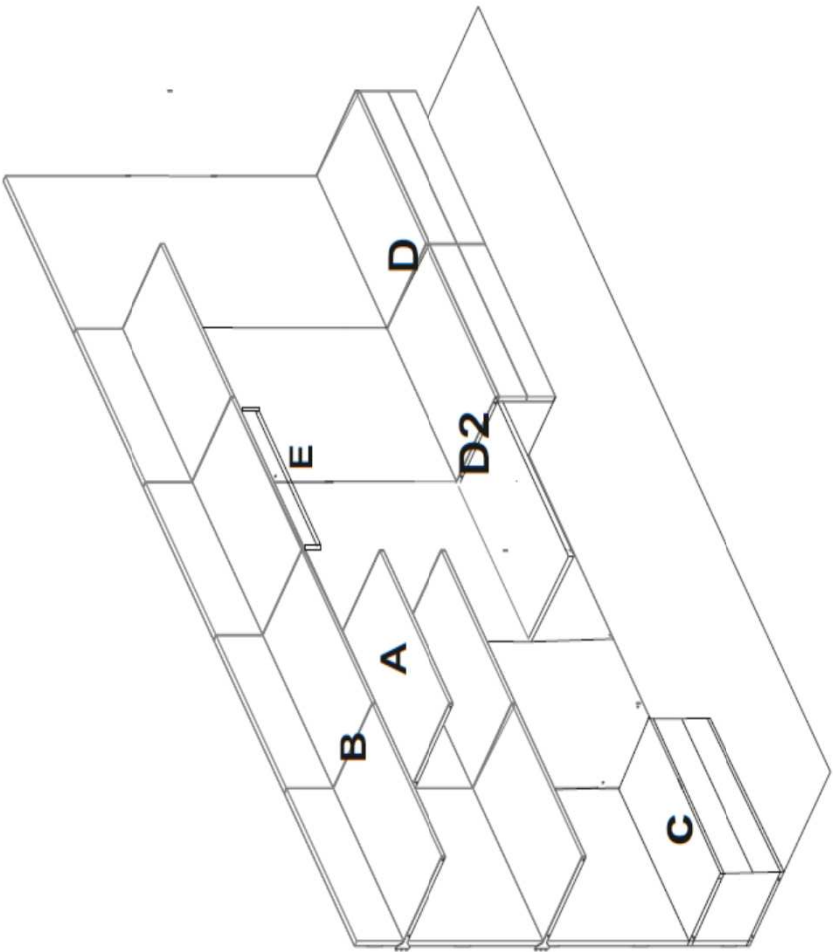


ADJUSTMENT STEPS

FOCUS ON
FINE 3D ADJUSTMENT
AFTER MOUNTING



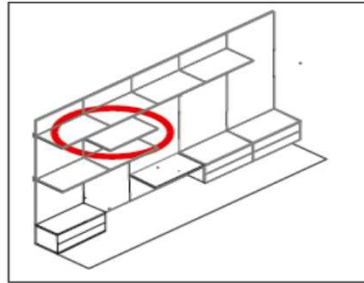
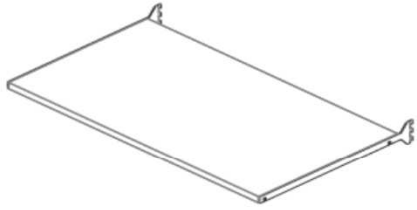
GENERAL VIEW



Configurations

- A. Single Shelf
- B. Double Shelf
- C. Cabinet inserted between 2 shelves
- D. Double Cabinet
- D2. Cabinet+Shelf
- E. Rod

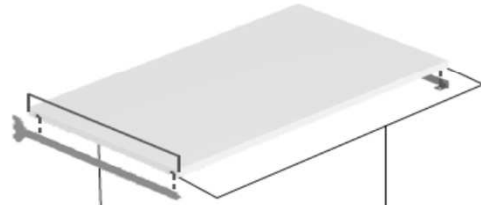
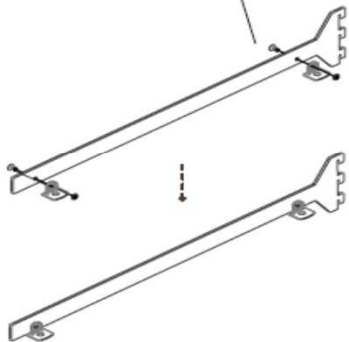
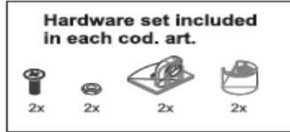
CONFIGURATION A
WOOD SHELF APPLICATION ONLY



SHELF DIMENSIONS:
Width: 1000mm / 39 3/8" MAX
Depth: 350mm or 450mm
13 25/32" or 17 23/32"

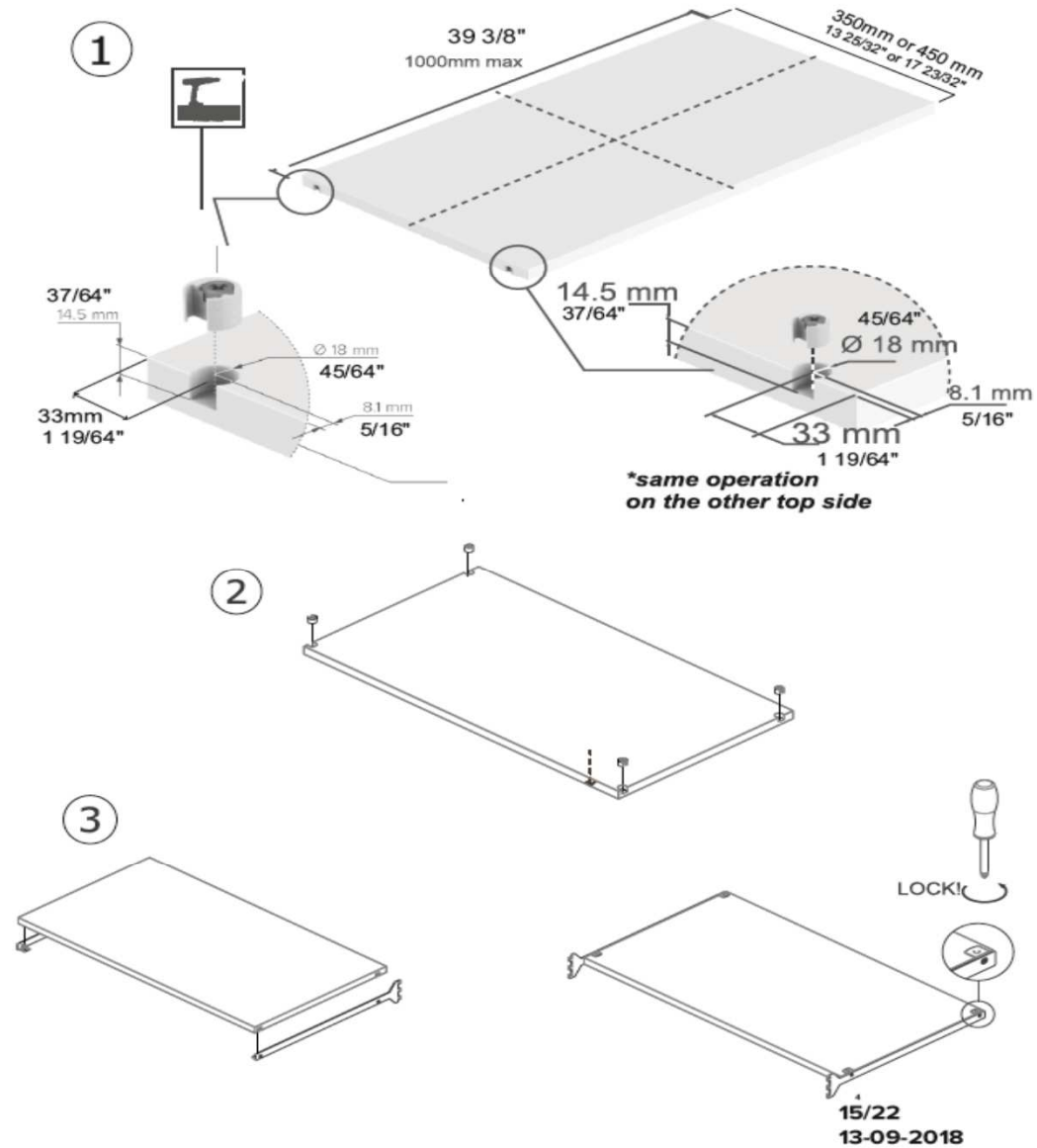
- ART. 6781265-xxx (for 450mm x th.25mm shelf (for 17 23/32" x 63/64" shelf)
- ART. 6781264-xxx (for 450mm x th.19mm shelf (for 17 23/32" x 3/4" shelf)
- ART. 6781275-xxx (for 350mm x th.25mm shelf (for 13 25/32" x 63/64" shelf)
- ART. 6781277-xxx (for 350mm x th.19mm shelf (for 13 25/32" x 3/4" shelf)

XXX : 100 grey finish, 060 brown finish



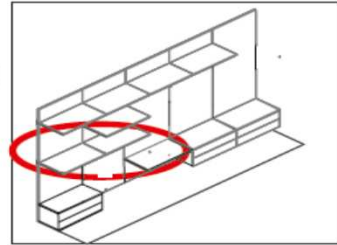
450mm or 350mm
17 23/32" or 13 25/32"

Max. 1000mm
Max. 39 3/8"

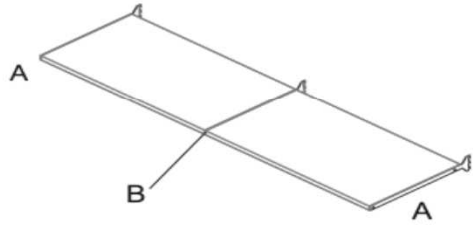
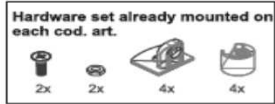


CONFIGURATION B

DOUBLE WOOD SHELF APPLICATION

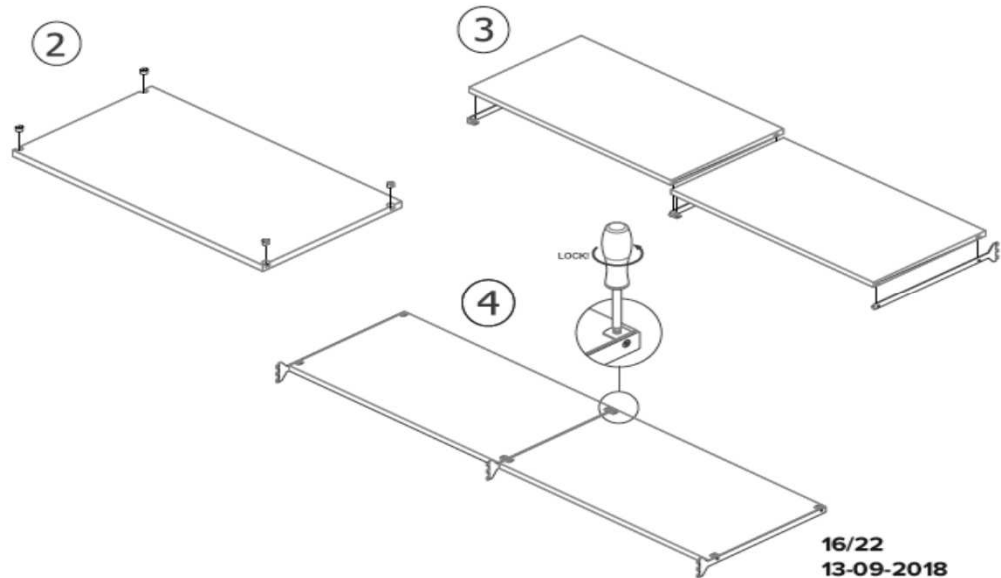
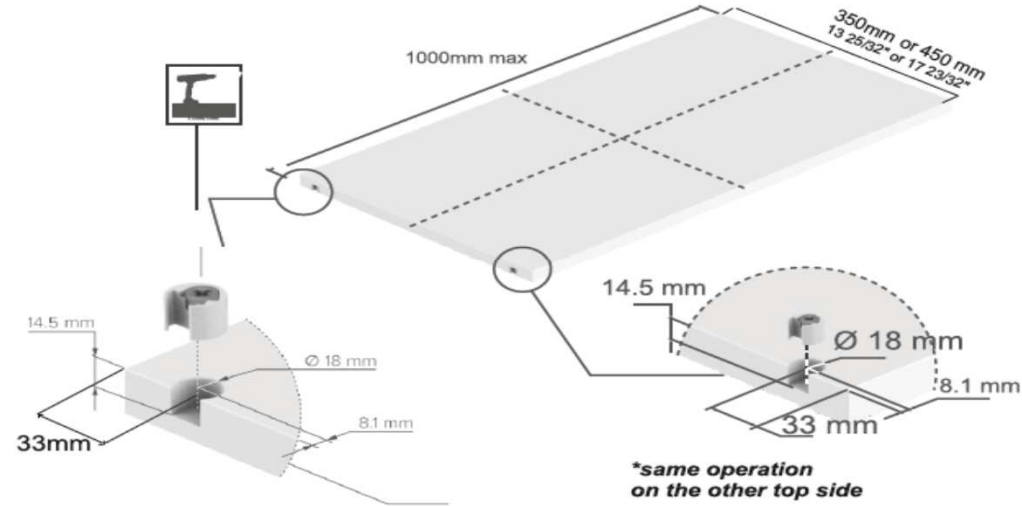
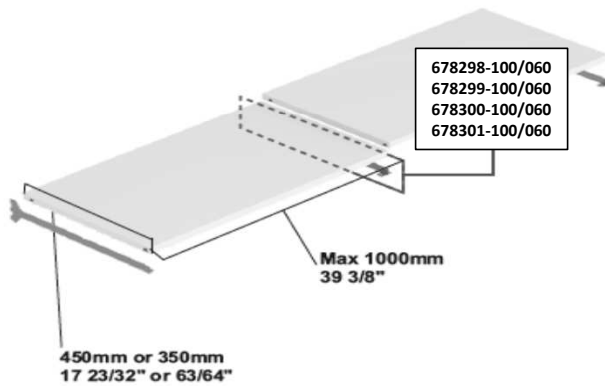
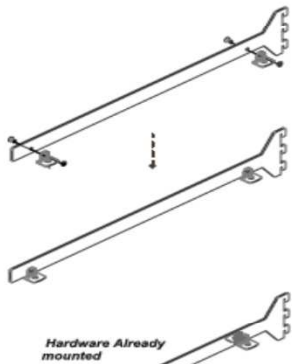


SHELF DIMENSIONS:
 Width: 1000mm / 39 3/8" MAX
 Depth: 350mm or 450mm
 13 25/32" or 17 23/32"

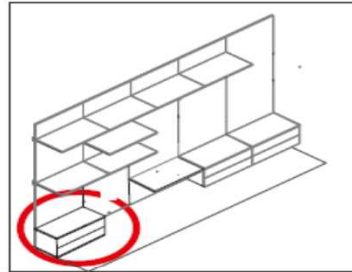


- ART. 678298-xxx (for 450mm x th.25mm shelf (for 17 23/32" x 63/64" shelf)
- ART. 678299-xxx (for 450mm x th.19mm shelf (for 17 23/32" x 1/4" shelf)
- ART. 678300-xxx (for 350mm x th.25mm shelf (for 13 25/32" x 63/64" shelf)
- ART. 678301-xxx (for 350mm x th.19mm shelf (for 13 25/32" x 1/4" shelf)

XXX : 100 grey finish, 060 brown finish



CONFIGURATION C
CABINET APPLICATION

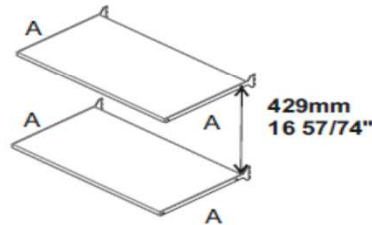


Ready cabinet to insert between 2 shelves.
Brackets to use: as per configuraiton A)

With BRACKET of 19mm th. (art. 6781264-100/060 – 6781277-100/060

CLEARANCE HEIGHT: 429mm

(add or detract 32mm and multiple, if you need to change height cabinet.)



CABINET DIMENSIONS

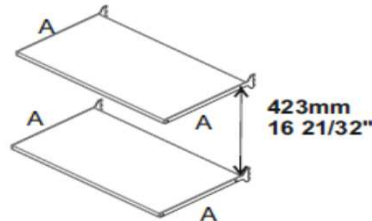
HEIGHT: Min.Suggested 429mm / 16 57/74"
DEPTH(*): 450mm / 17 23/32" or 350mm/ 13 25/32"
WIDTH: Max. 1000mm / 39 3/8"

* = *Front Included*

With BRACKET of 25mm th. (art. 6781265-100/060 – 6781275-100/060

CLEARANCE HEIGHT: 423mm

(add or detract 32mm and multiple, if you need to change height cabinet.)



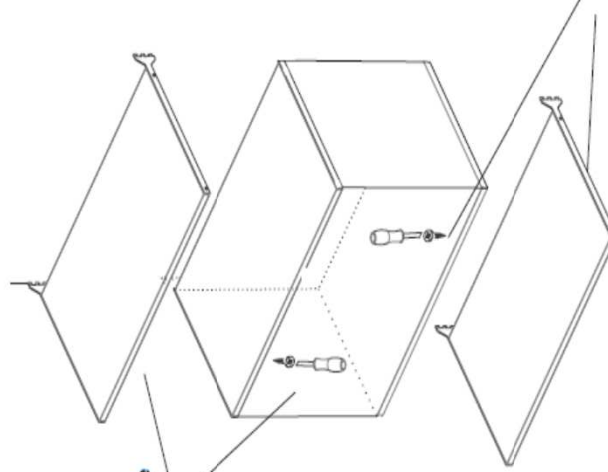
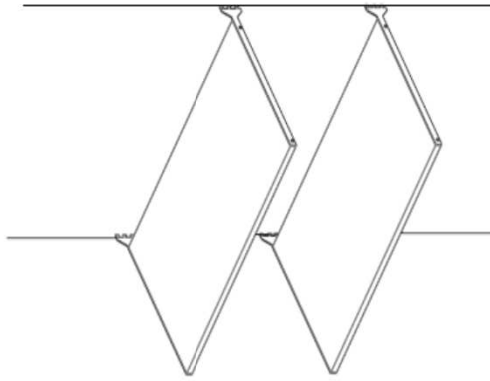
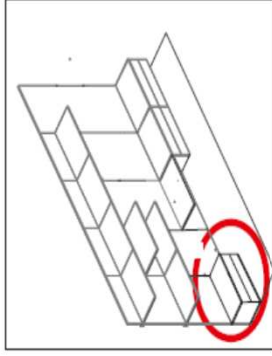
CABINET DIMENSIONS

HEIGHT: Min.Suggested 423mm / 16 21/32"
DEPTH (*): 450mm / 17 23/32" or 350mm/ 13 25/32"
WIDTH: Max. 1000mm / 39 3/8"

* = *Front Included*

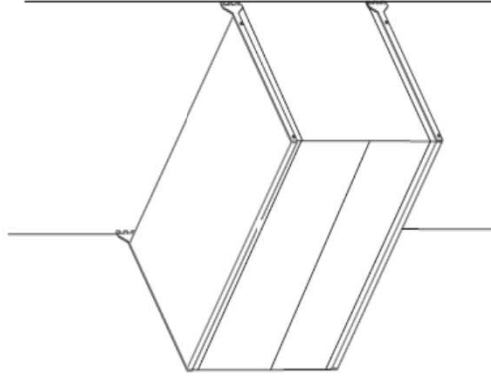
CONFIGURATION C
CABINET APPLICATION

HOW TO INSERT THE CABINET



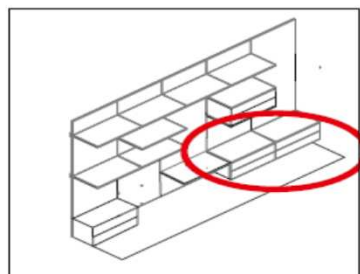
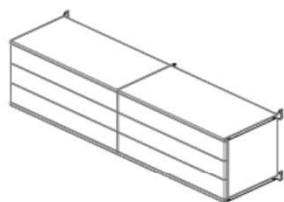
Fix the Cabinet to the shelf with screws.

Fix the Cabinet to the shelf with screws



Screws from above or below depending if screw visible or not

CONFIGURATION D
DOUBLE CABINET APPLICATION

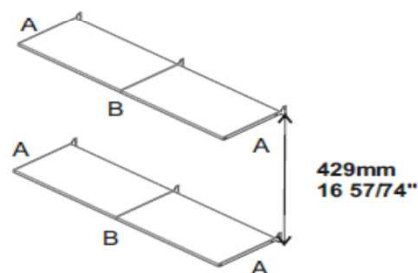


Ready double cabinet to insert between 2 shelves.
Brackets to use: as per configuraiton B)

With BRACKET of 19mm th. (art. 678299-100/060 – 678301-100/060

CLEARANCE HEIGHT: 429mm

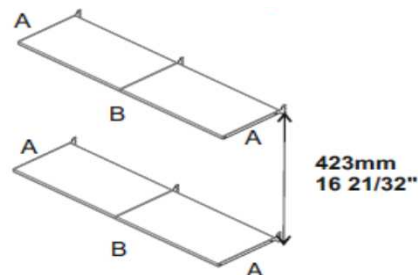
(add or detract 32mm and multiple, if you need to change height cabinet.)



With BRACKET of 25mm th. (art. 678298-100/060 – 678300-100/060

CLEARANCE HEIGHT: 423mm

(add or detract 32mm and multiple, if you need to change height cabinet.)



DOUBLE CABINET DIMENSIONS

HEIGHT: Min.Suggested 429mm / 16 57/74"
DEPTH(*): 450mm / 17 23/32" or 350mm/ 13 25/32"
WIDTH: Max. 1000mm+1000mm /
39 3/8" + 39 3/8"

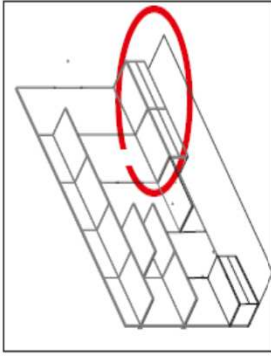
*** = Front Included**

DOUBLE CABINET DIMENSIONS

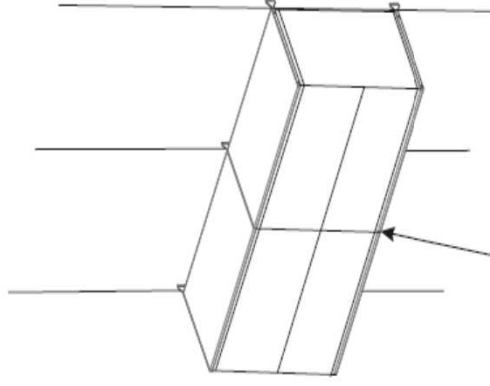
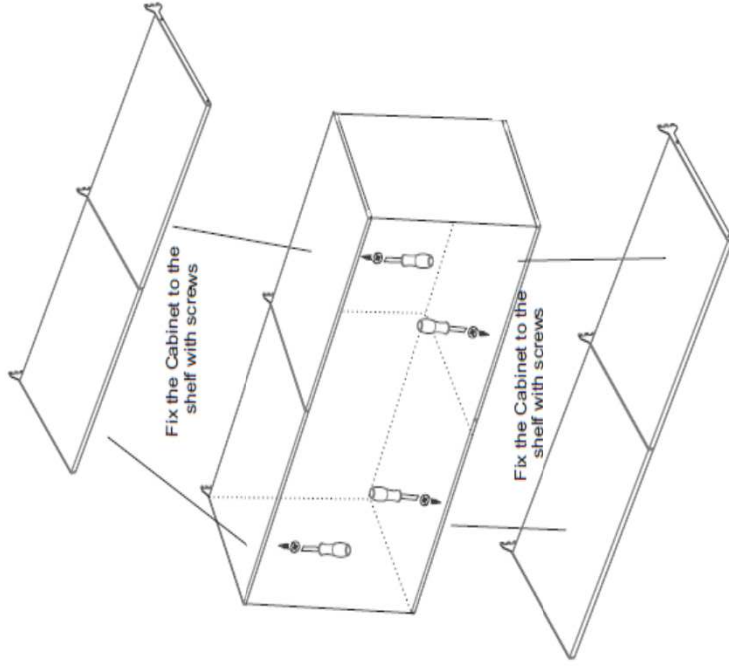
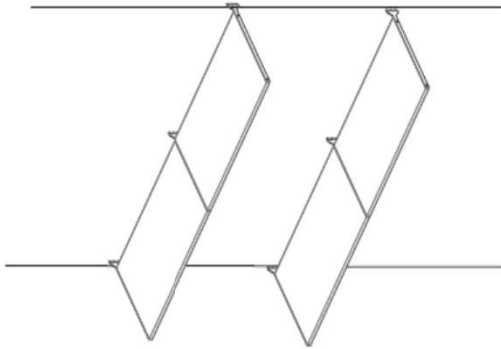
HEIGHT: Min. Suggested 423mm / 16 21/32"
DEPTH(*):450mm / 17 23/32" or 350mm / 13 25/32"
WIDTH: Max. 1000mm + 1000mm/
39 3/8" + 39 3/8"

*** = Front Included**

CONFIGURATION D
CABINET APPLICATION

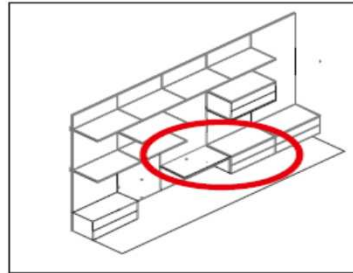
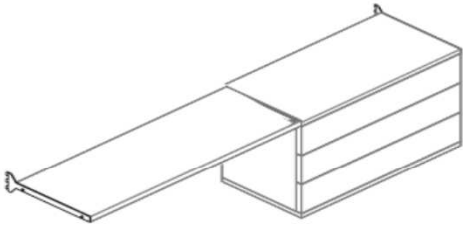


HOW TO INSERT THE CABINET



Fix together the cabinets on the side gable

CONFIGURATION D2
CABINET + SHELF APPLICATION



Same steps and dimensions of **CONFIGURATION D.**

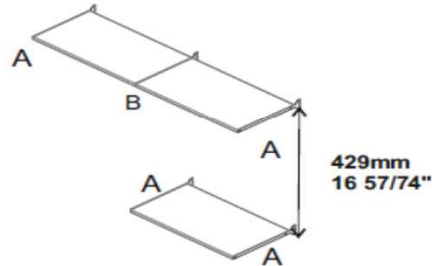
Only difference: use only 1 cabinet to insert.

SHELF NEEDS TO HAVE THE SAME DEPTH THAN THE CABINET

With BRACKET of 19mm th. (art. 678299-100/060 – 678301-100/060)

CLEARANCE HEIGHT: 429mm

(add or detract 32mm and multiple, if you need to change height cabinet.)



SINGLE CABINET DIMENSIONS

HEIGHT: Min. Suggested 429mm / 16 57/74"
 DEPTH(*): 450mm / 17 23/32" or 350mm / 13 25/32"
 WIDTH: Max. 1000mm / 39 3/8"

SHELF DIMENSIONS

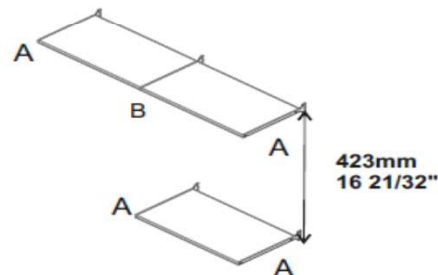
DEPTH(*): 450mm / 17 23/32" or 350mm / 13 25/32"
 WIDTH : Max. 1000mm / 39 3/8"
 THICKNESS 19mm / 3/4"

* = **Front Included**

With BRACKET of 25mm th. (art. 678298-100/060 – 678300-100/060)

CLEARANCE HEIGHT: 423mm

(add or detract 32mm and multiple, if you need to change height cabinet.)



SINGLE CABINET DIMENSIONS

HEIGHT: Min. Suggested 423mm / 16 21/32"
 DEPTH(*): 450mm / 17 23/32" or 350mm / 13 25/32"
 WIDTH: Max. 1000mm / 39 3/8"

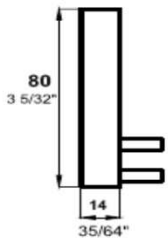
SHELF DIMENSIONS

DEPTH(*)=: 450mm / 17 23/32" or 350mm / 13 25/32"
 WIDTH : Max. 1000mm / 39 3/8"
 THICKNESS 25mm / 63/64"

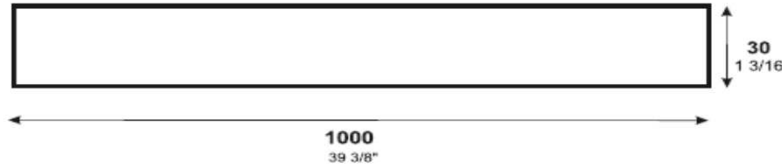
* = **Front Included**

CONFIGURATION E
 ROD APPLICATION

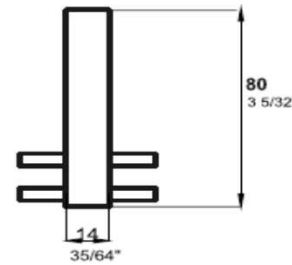
ART. 678446-100/060



ART. 678538-100/060



ART. 678447-100/060



Lateral Rod Support: art. 678446-100/060
Central Rod Support: art. 678447-100/060
Rod : art. 678538-100/060

To fix Rod Support to the shelf, the suggestion is to use:

M5x22mm screws for 16mm th. shelf
 M5x25mm screws for 19mm th. shelf
 M5x30mm screws for 25mm th. shelf

Screws not included.

***= variance in screw length of +/- 1 mm, is acceptable**

What to **CONSIDER** to determinate the rod cut:

for Aesthetic Reason: **6 mm (15/64")** gap to side panel

Overall of each support (lateral/ central) : **14mm (35/64")**

Example:

rod= 1000mm / 39 3/8"
 panel width= 800mm / 31 1/2"

Rod cut= 1000-200= 800(panel width) -6-6-14-14= 760mm / 29 59/64"

