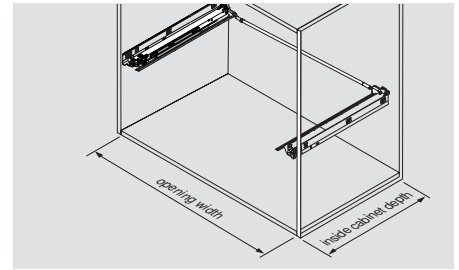


MOVENTO 763/769

Lateral Stabilizer Installation Instructions

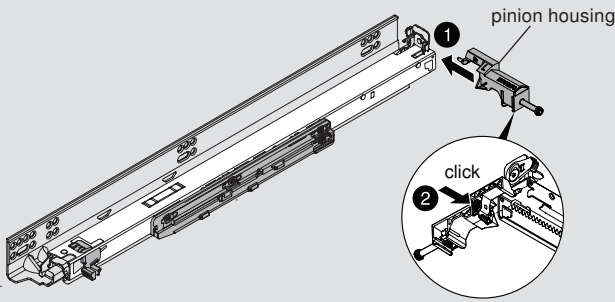


NOTE: Recommended for opening widths 610 (24") to 1369 (53-29/32") wide

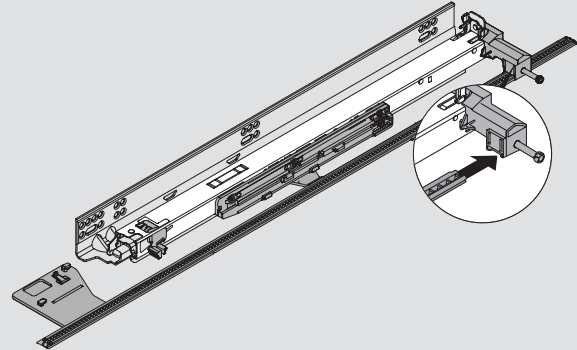
Installation

Step 1 – Attach left and right pinion housings

- 1 Insert locating pins into MOVENTO runner
- 2 Press orange locking clips to lock into place

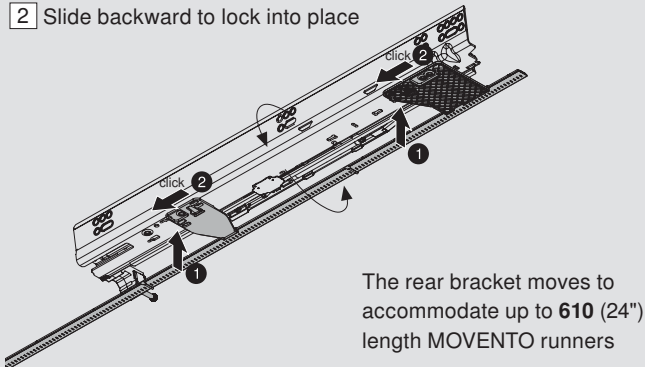


Step 2 – Slide gear racks into pinion housings

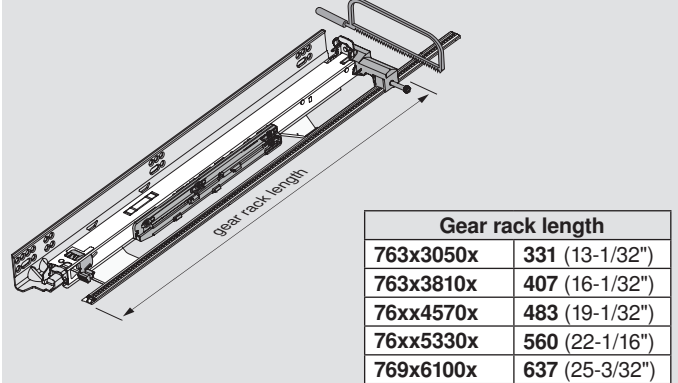


Step 3 – Install gear racks

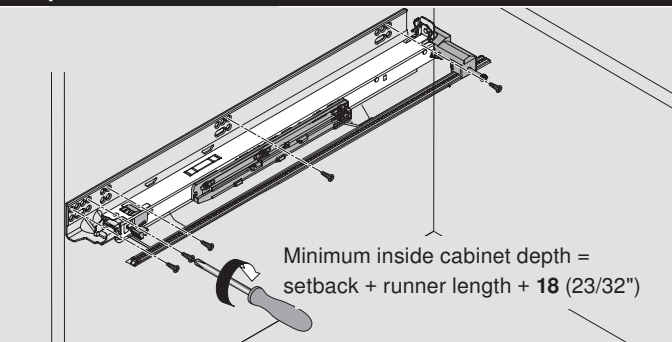
- 1 Insert locating tabs into cut-outs on bottom of runners
- 2 Slide backward to lock into place



Step 4 – Cut gear racks to length



Step 5 – Install runners



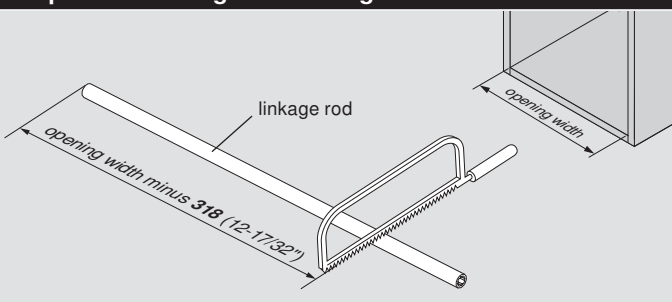
NOTE:

For use in panel and blocked-out face frame applications with 305 (12") to 610 (24") length drawers or face frame applications with rear attachment and 305 (12") to 533 (21") length drawers.

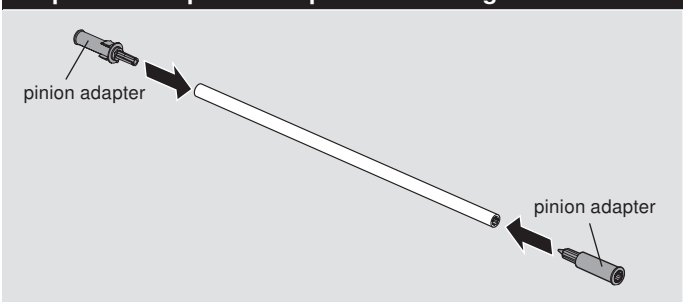
However, for best results use in panel or blocked-out face frame applications.

MOVENTO runners will sit 3 (1/8") higher when using the lateral stabilizer in bottom mount applications, and may have to be raised for some bottom mount drawer applications using SERVO-DRIVE.

Step 6 – Cut linkage rod to length

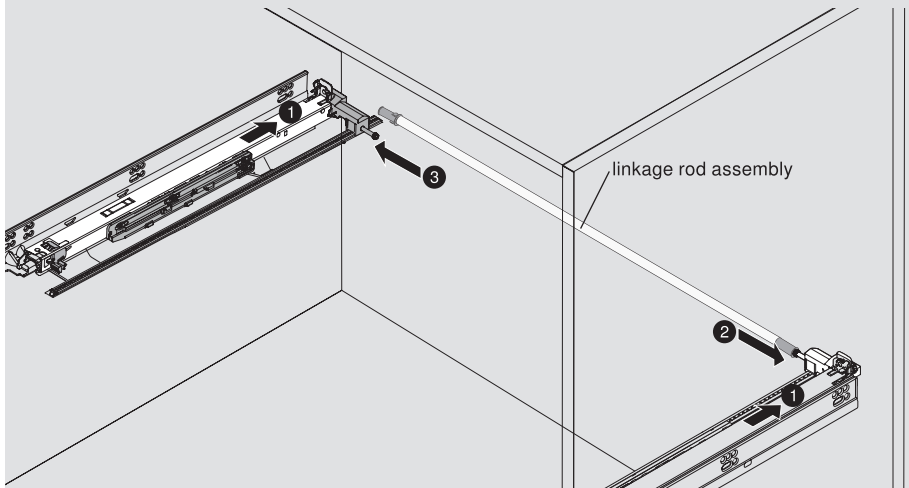


Step 7 – Press pinion adapters into linkage rod



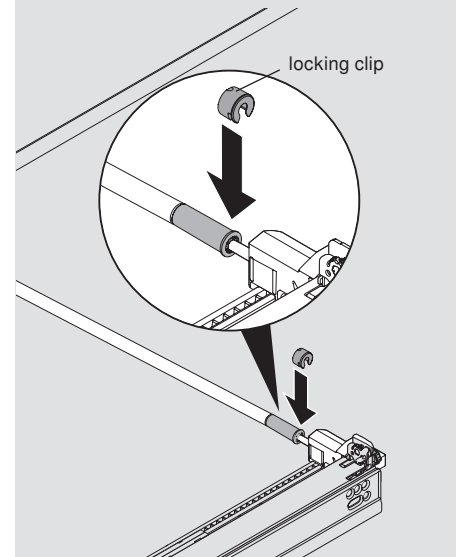
Step 8 – Install linkage rod assembly

- 1 Close drawer runners
- 2 Slide right pinion adapter onto right pinion
- 3 Slide linkage rod assembly left onto left pinion



Step 9 – Install locking clips

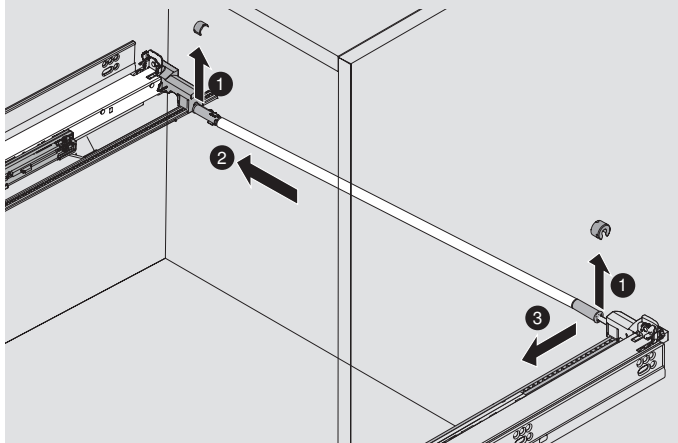
Install locking clips on both adapters



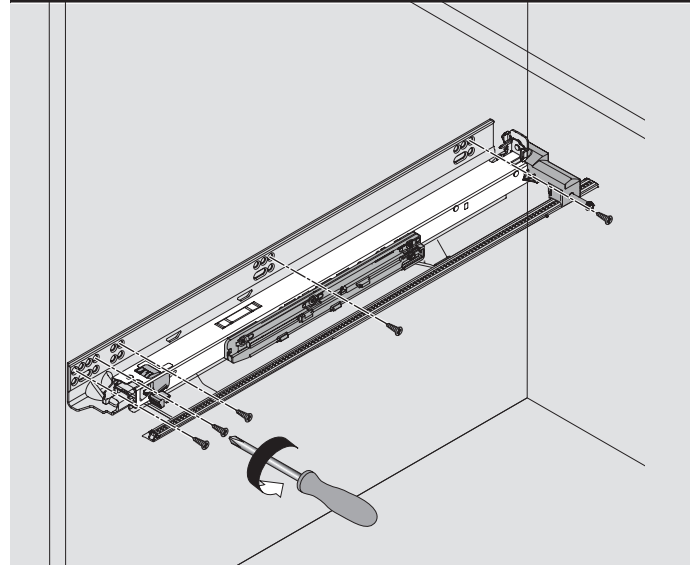
Removal

Step 1 – Remove locking clips and linkage rod assembly

- 1 Remove locking clips
- 2 Slide linkage rod assembly left
- 3 Pull forward on right side to remove

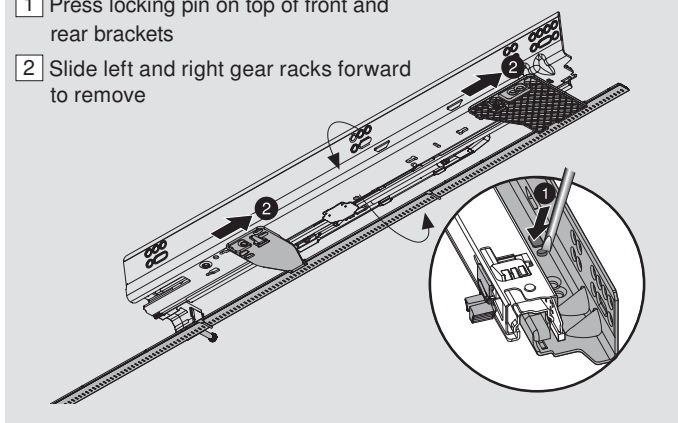


Step 2 – Remove runners



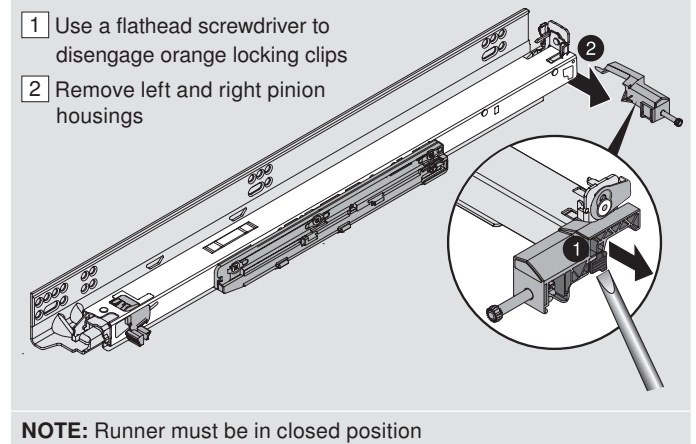
Step 3 – Remove gear racks

- 1 Press locking pin on top of front and rear brackets
- 2 Slide left and right gear racks forward to remove



Step 4 – Remove pinion housing

- 1 Use a flathead screwdriver to disengage orange locking clips
- 2 Remove left and right pinion housings



NOTE: Runner must be in closed position