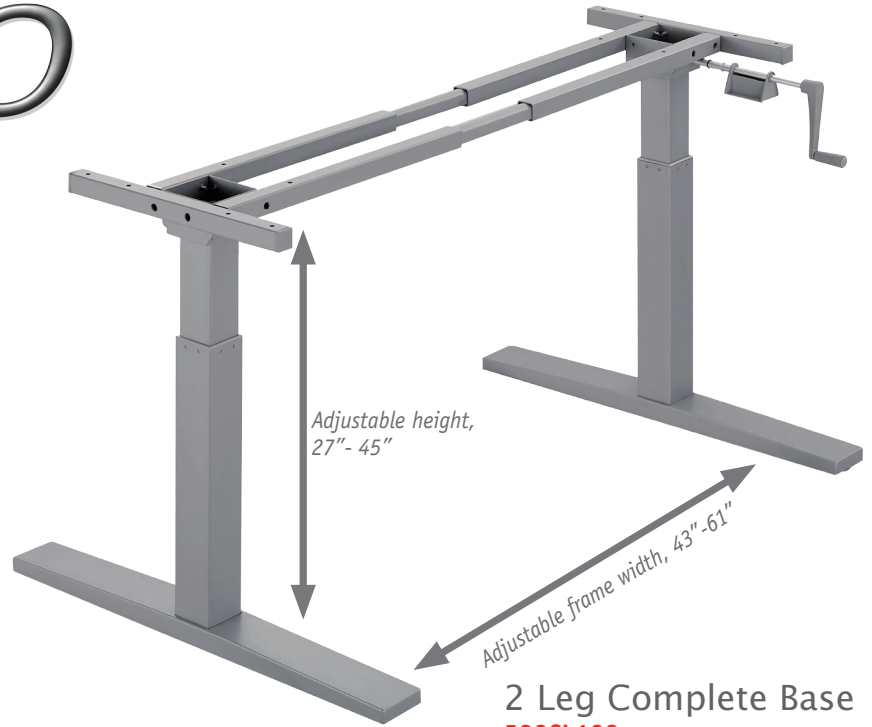


Richelieu ERGO

MANNY SERIES ADJUSTABLE BASE

Stainless steel spindle with ridged steel table legs provide a very robust and durable piece of furniture. Perfectly balanced engineering provide quick crank lift and decent. High weight capacity allows this crank table to be useful in a variety of industries and situations. Innovative three leg design allow for more work space and flexible use.



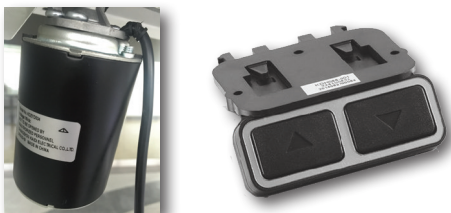
2 Leg Complete Base
500CL100



3rd leg 90° Kit

500CL90100

To achieve this configuration requires ordering the **500CL100** 2 Leg Base and the **500CL90100** 3rd Leg 90° Kit



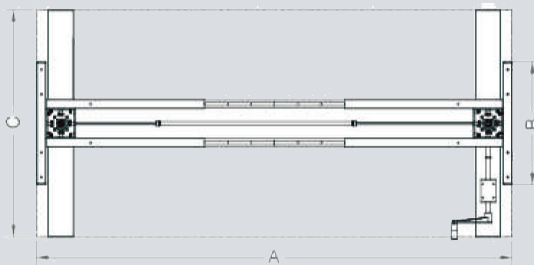
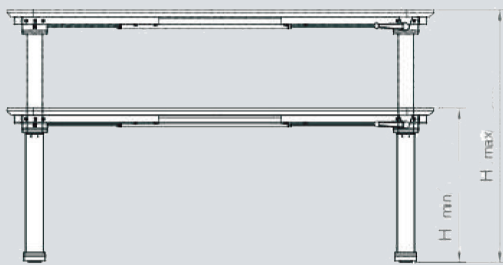
Optional Motor Kit
500CLM100



3rd Leg 120° Kit

500CL120100

To achieve this configuration requires ordering the **500CL100** 2 Leg Base and the **500CL120100** 3rd Leg 120° Kit

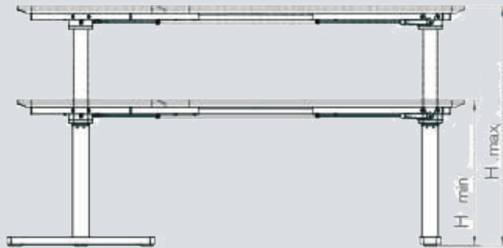


Max.Load 60kg

A	min	1091 mm/43 inch
	max	1550 mm/61 inch
B		400 mm/15.8 inch
C		586 mm/23 inch
H	min	693 mm/27.3 inch
	max	1143 mm/45 inch

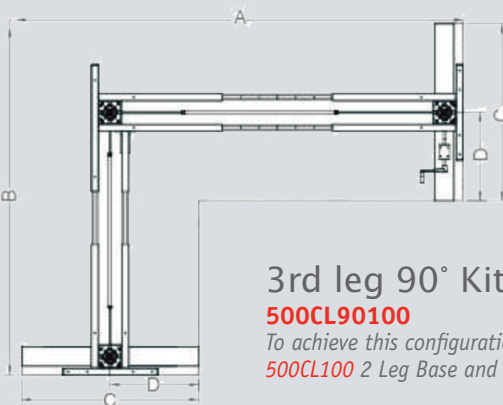
2 Leg Complete Base

500CL100



Max.Load 60 kg

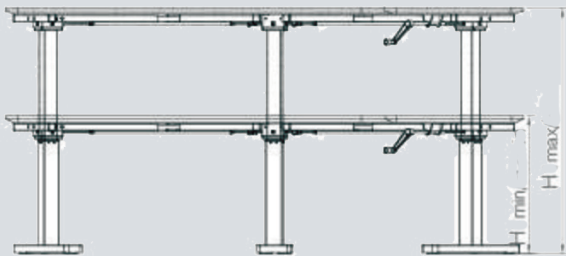
A	min	1255 mm/49.4 inch
	max	1713 mm/67.4 inch
B	min	1117 mm/44 inch
	max	1495 mm/58.9 inch
C		586 mm/23 inch
D		344 mm/13.5 inch
H	min	693 mm/27.3 inch
	max	1143 mm/45 inch



3rd leg 90° Kit

500CL90100

To achieve this configuration requires ordering the **500CL100** 2 Leg Base and the **500CL90100** 3rd Leg 90° Kit



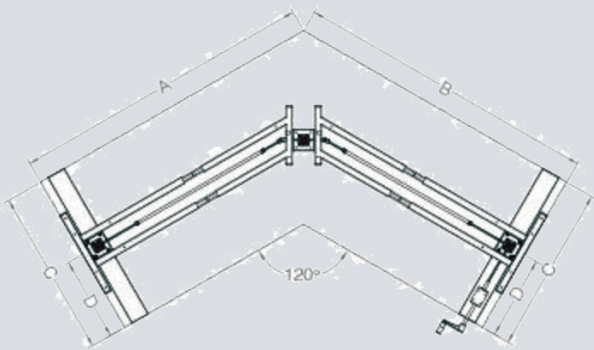
Max.Load 60 kg

A	min	1160 mm/45.7 inch
	max	1800 mm/63 inch
B	min	1160 mm/45.7 inch
	max	1800 mm/63 inch
C		586 mm/23 inch
D		344 mm/13.5 inch
H	min	693 mm/27.3 inch
	max	1143 mm/45 inch

3rd Leg 120° Kit

500CL120100

To achieve this configuration requires ordering the **500CL100** 2 Leg Base and the **500CL120100** 3rd Leg 120° Kit



☎ 1-866-440-0448

ergoinfo@richelieu.com

www.richelieuergo.com