



VIBO
Wire processing

Portata massima:
Maximum load:
Charge maxi:
Maximale belastbarkeit:
Carga maxima:

2P 40
Kg

4P 80
Kg

Istruzioni di montaggio

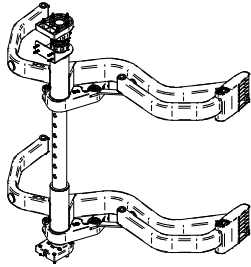
Assembling instructions

Notice de montage

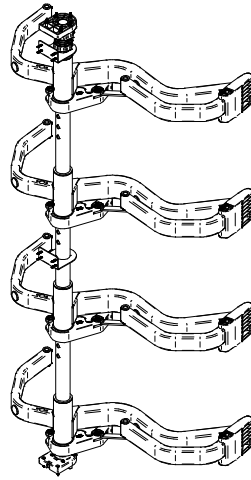
Montageanleitung

Manual de montaje

2P



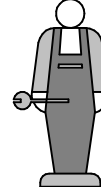
4P



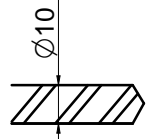
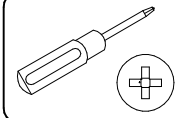
FLYAST.....DX/14
FLYAST.....SX/14



20 min



1



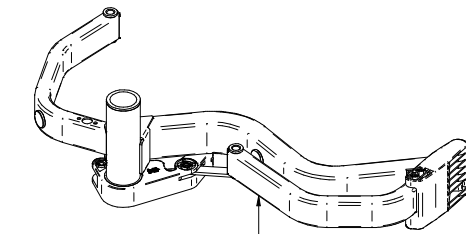
**PRIMA DI COMINCIARE,
VEDERE I CONSIGLI DI
MONTAGGIO**

BEFORE STARTING, REFER
TO THE ASSEMBLING
ADVICE IN ANNEX

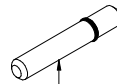
AVANT DE COMMENCER, SE
REPORTER AUX CONSEILS
DE MONTAGE EN ANNEXE

VOR DIE MONTAGE, BITTE
BEILIEGENDE
ANWEISUNGEN FOLGEN

ANTES DE EMPEZAR
CONSULTE LOS CONSEJOS
PARA EL MONTAJE



A



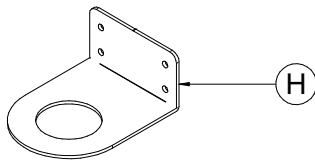
G



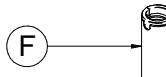
L



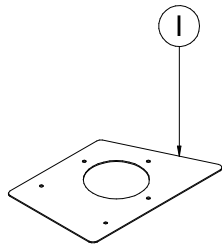
M



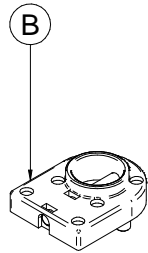
H



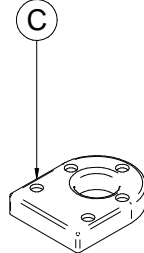
F



I



B



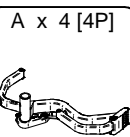
C



D

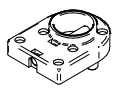


E

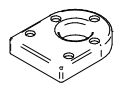


A x 4 [4P]

A x 2 [2P]



B x 1



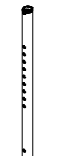
C x 1



D x 1



E x 1

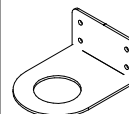


F x 1



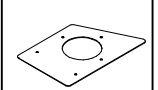
G x 4 [4P]

G x 2 [2P]

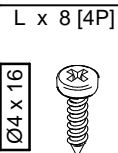


H x 2 [4P]

H x 1 [2P]



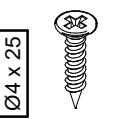
I x 1



L x 8 [4P]

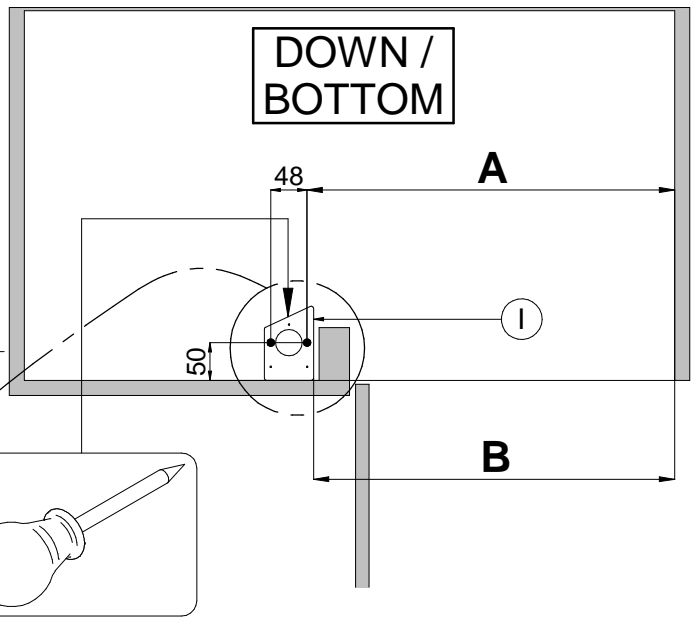
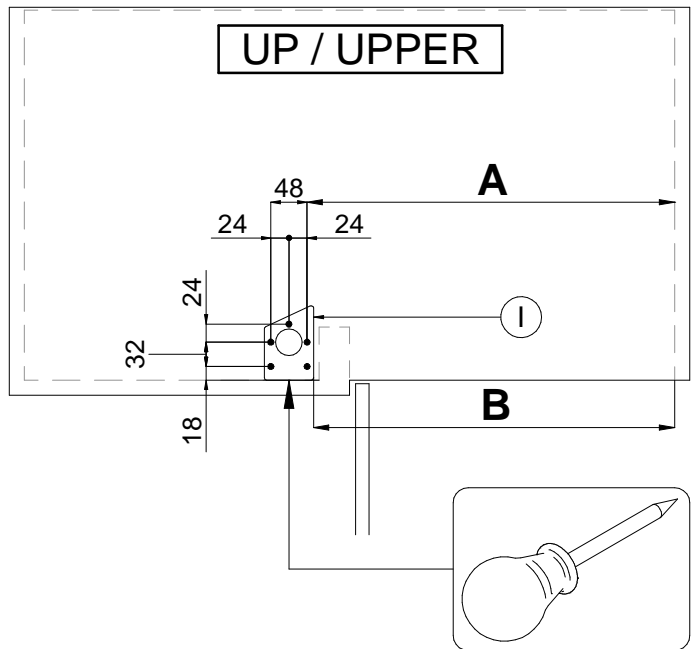
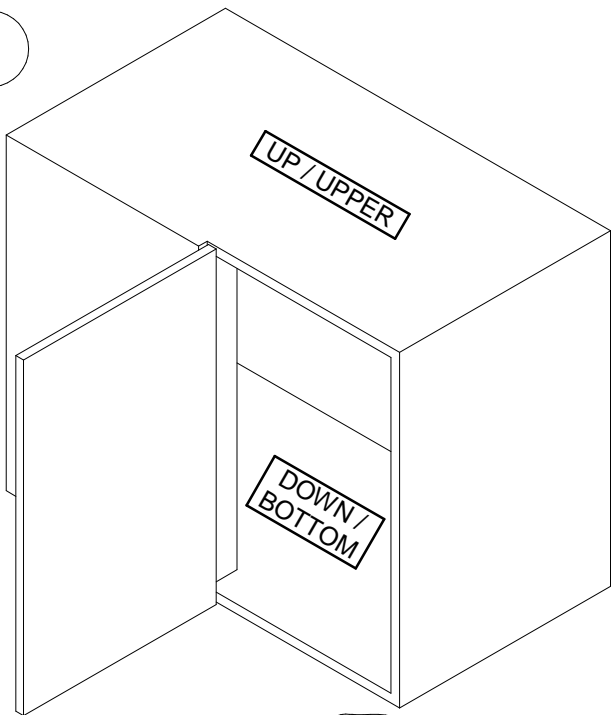


L x 4 [2P]

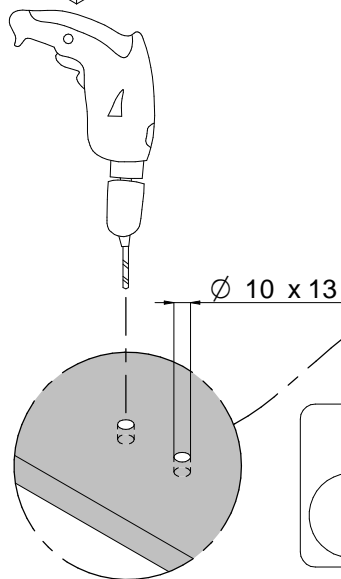


M x 11

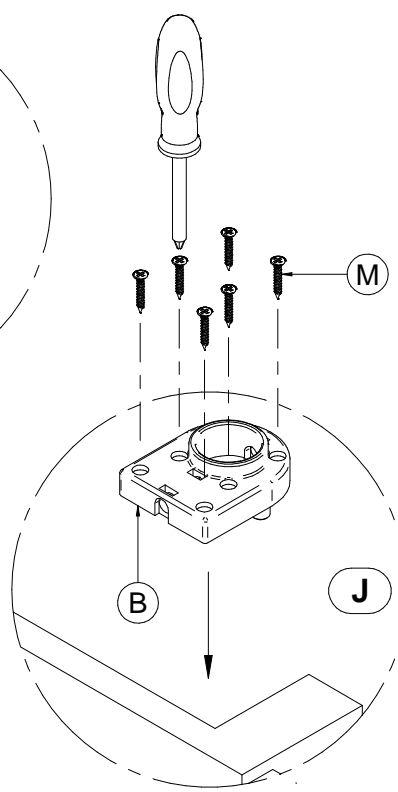
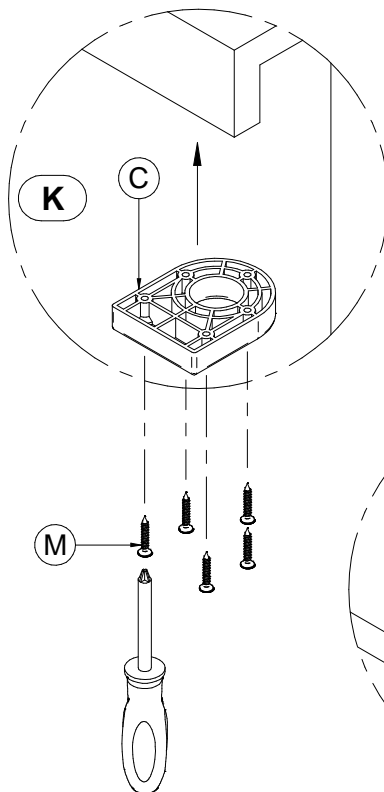
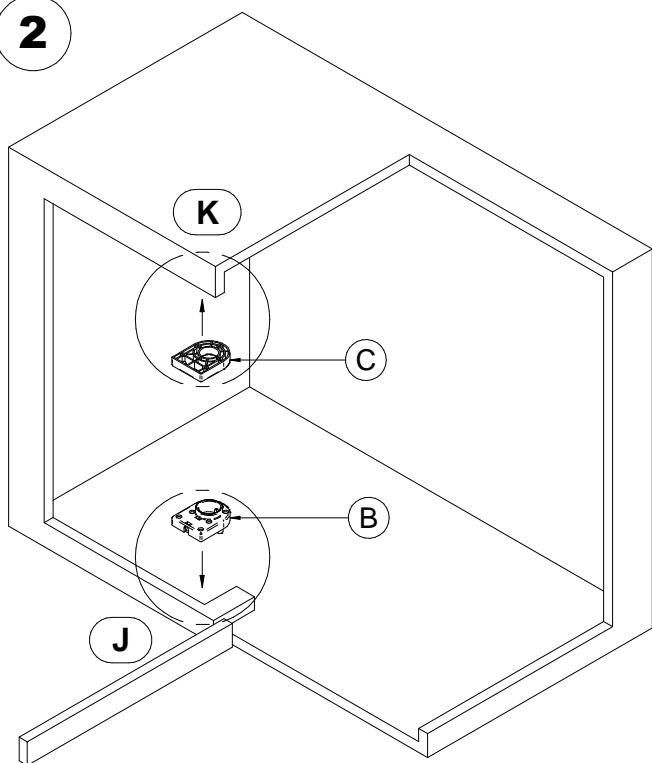
1



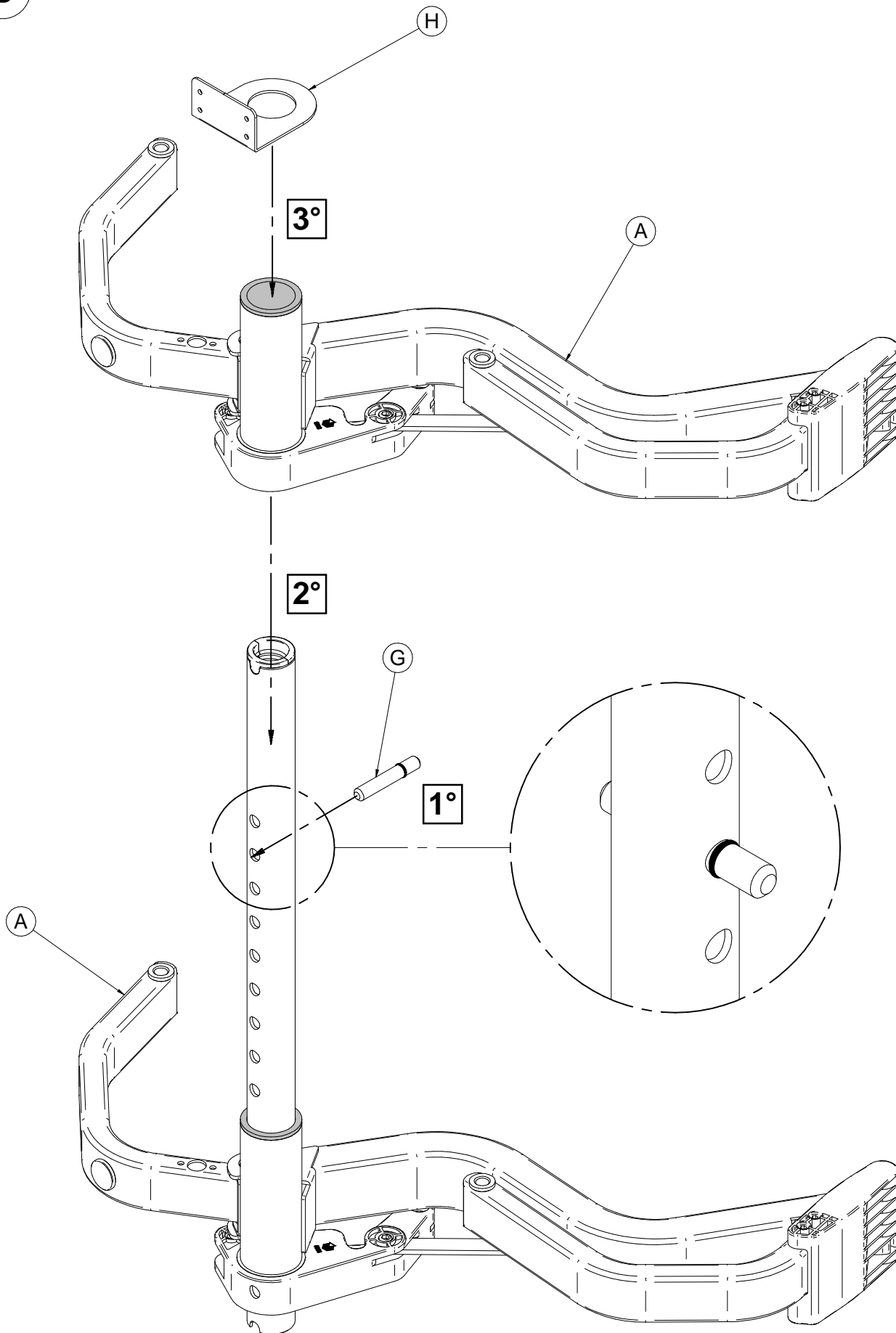
| MOD | A | B |
|-----|-----|-------|
| 40 | 445 | 436,5 |
| 45 | 486 | 477,5 |
| 60 | 636 | 627,5 |



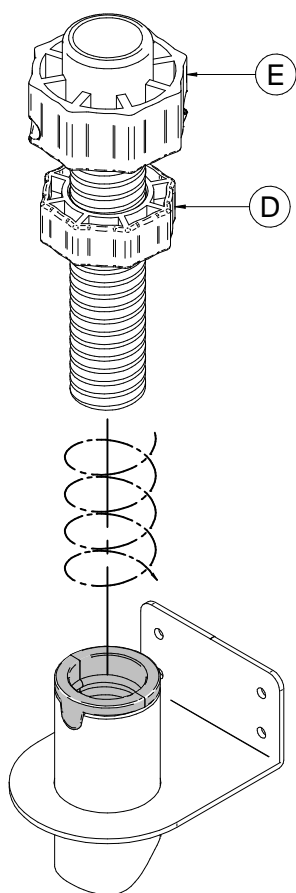
2



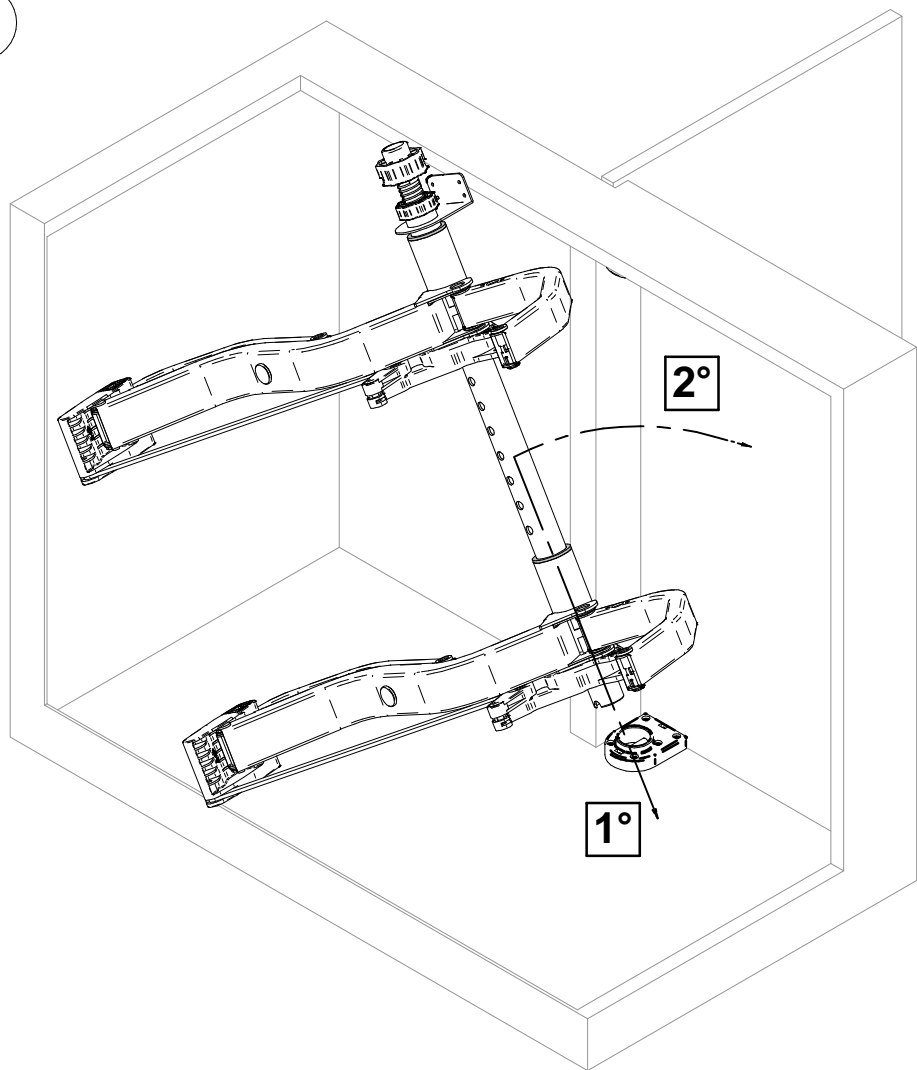
3



4



5



6

