

1 2 3 4 5 6 7 8

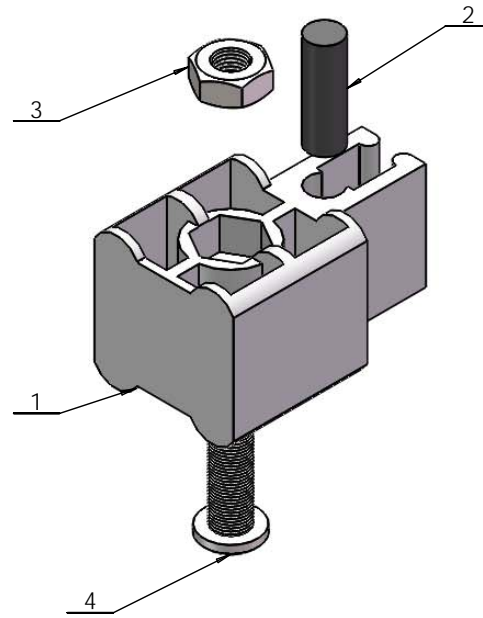
A

**TRADITIONAL STYLE**

**CONTEMPORARY STYLE**

A

B



B

C

C

D

D

**LE TRADITIONEL**

**LE CONTEMPORAIN**

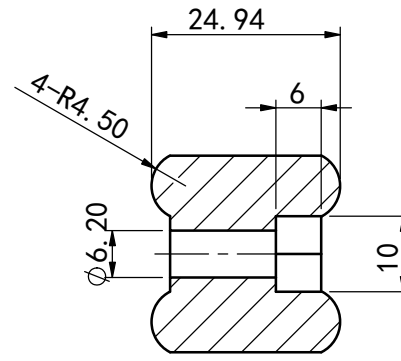
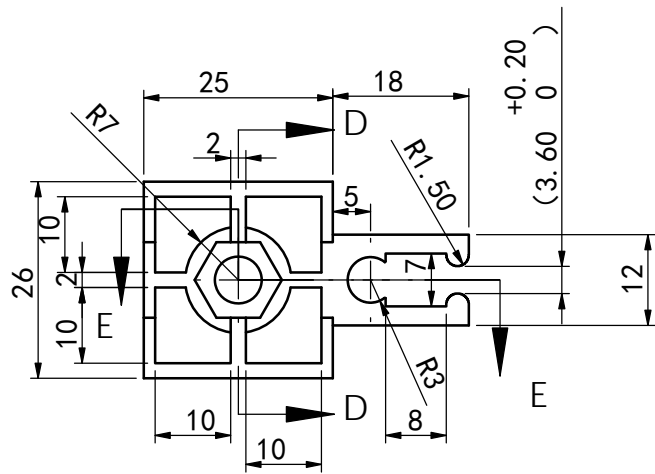
E

Item	DWG NO	Quantity	DIMENSIONS ARE IN mm TOLERANCES FRACTIONAL ± ANGULAR: MACH ± BEND ± ONE PLACE DECIMAL ± TWO PLACE DECIMAL ±	NAME	DATE	Richelieu Hardware		
1	Door Stop	1	MATERIAL: POM FINISH: Black WEIGHT(GR): 22.5	DRAWN		RICHELIEU /VENDOR ITEM NUMBER		
2	Rubber Bar	1		CHECKED		89TY206300100		
3	Nut	1		ENG APPR.		SIZE	DWG.NO.	REV.
4	Screw	1		MFG APPR.		<b>A</b>	Door Stop	<b>0</b>
				Q.A.		DO NOT SCALE DRAWING		SHEET 1OF 1
				COMMENTS:	1			

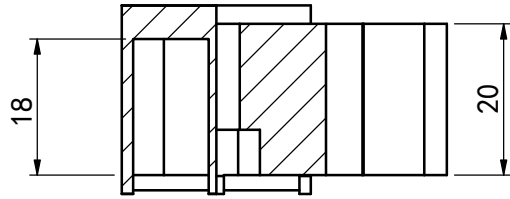
F

F

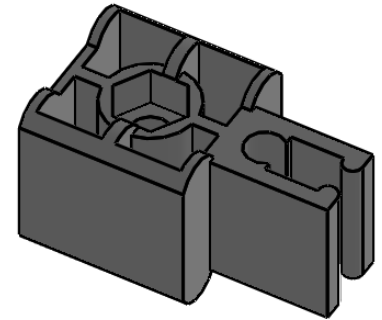
1 2 3 4 5 6 7 8



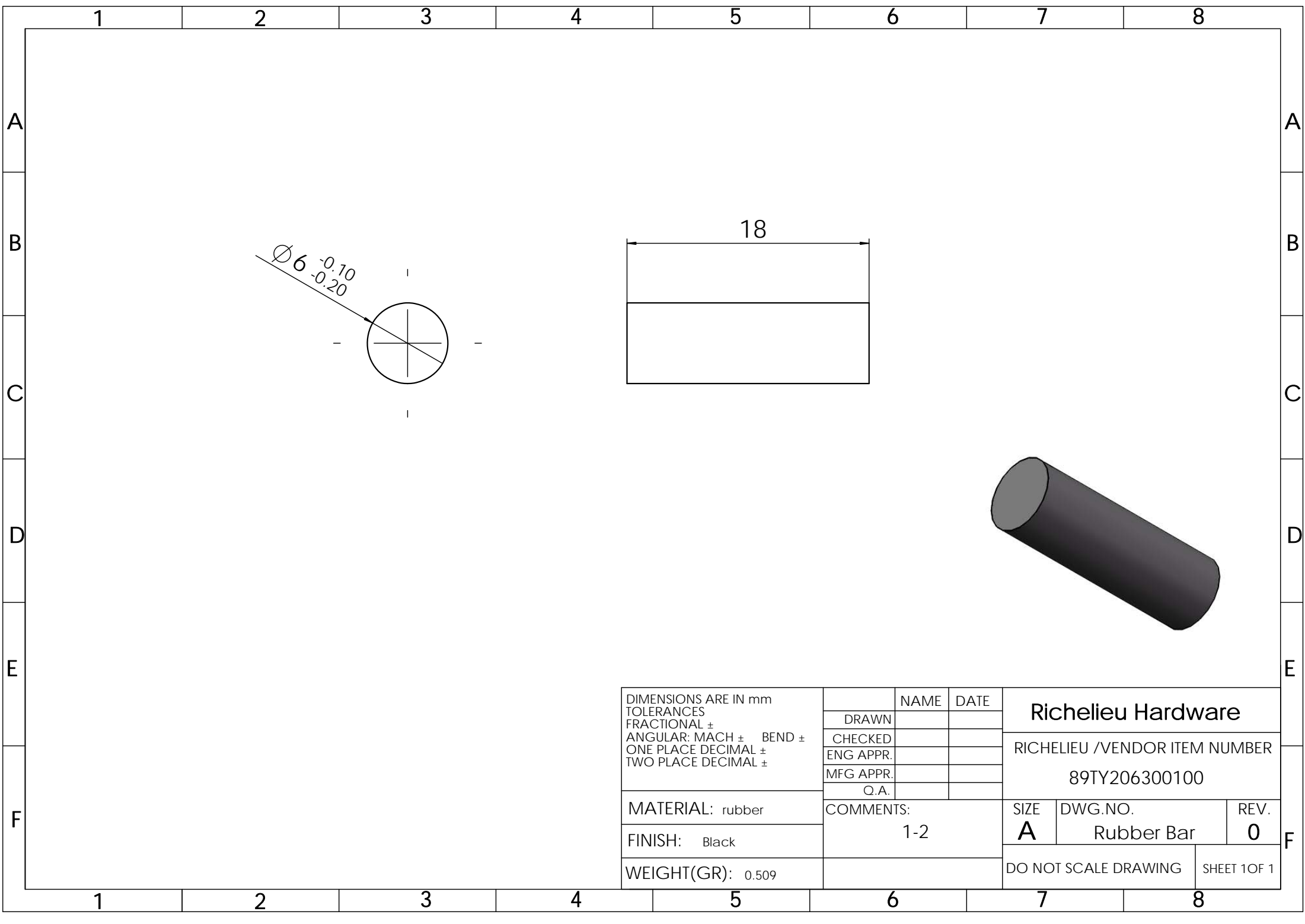
section D-D



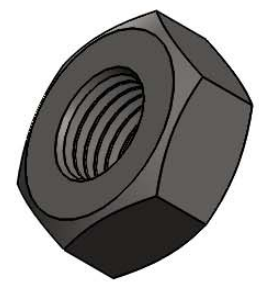
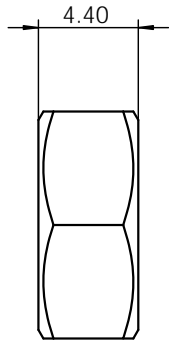
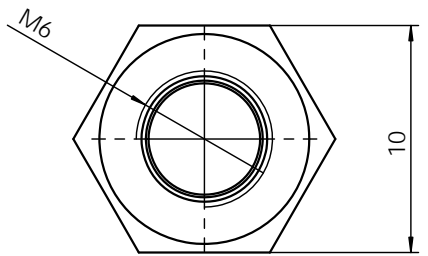
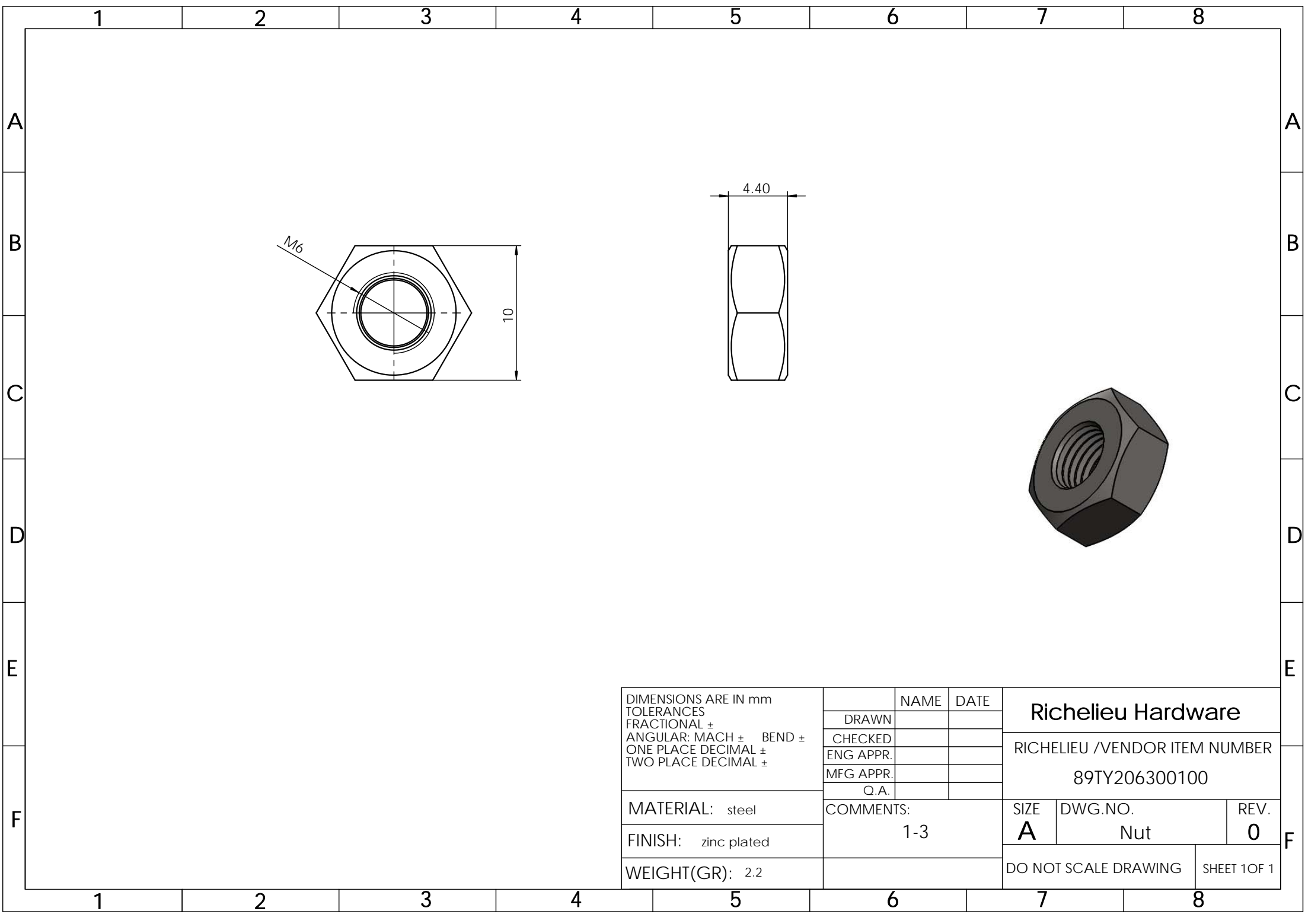
section E-E



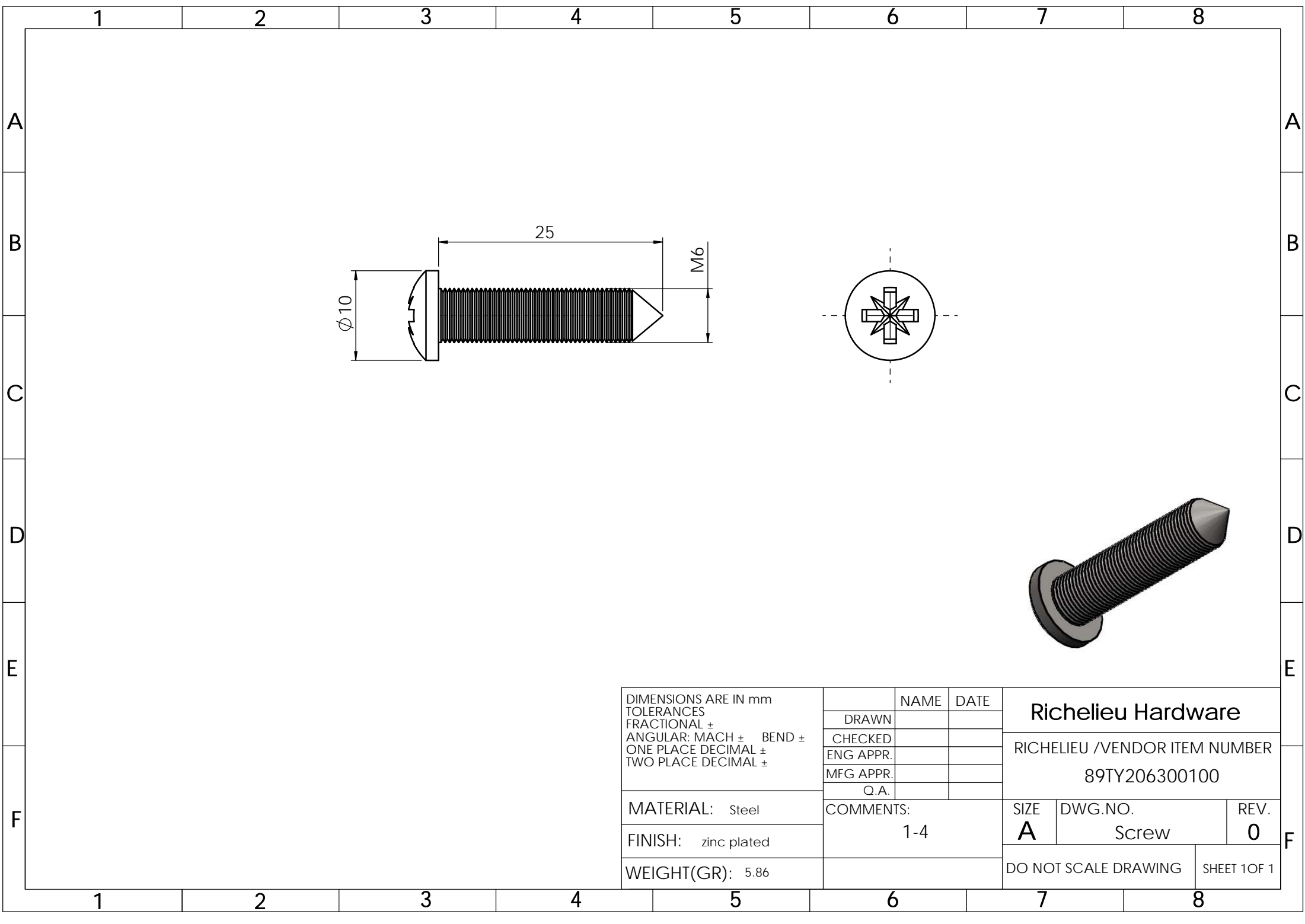
DIMENSIONS ARE IN mm TOLERANCES FRACTIONAL ± ANGULAR: MACH ± BEND ± ONE PLACE DECIMAL ± TWO PLACE DECIMAL ±		NAME	DATE	<b>Richelieu Hardware</b>		
	DRAWN					RICHELIEU /VENDOR ITEM NUMBER 89TY206300100
	CHECKED					
	ENG APPR.					
	MFG APPR.					
	Q.A.			SIZE	DWG.NO.	REV.
MATERIAL: POM	COMMENTS:		1-1	<b>A</b>	Door Stop	<b>0</b>
FINISH: Black				DO NOT SCALE DRAWING		SHEET 1OF 1
WEIGHT(GR): 14.00						



DIMENSIONS ARE IN mm TOLERANCES FRACTIONAL ± ANGULAR: MACH ± BEND ± ONE PLACE DECIMAL ± TWO PLACE DECIMAL ±		NAME	DATE	<b>Richelieu Hardware</b>		
	DRAWN					
	CHECKED			RICHELIEU /VENDOR ITEM NUMBER 89TY206300100		
	ENG APPR.					
	MFG APPR.					
	Q.A.			SIZE	DWG.NO.	REV.
MATERIAL: rubber	COMMENTS:		1-2	<b>A</b>	Rubber Bar	<b>0</b>
FINISH: Black				DO NOT SCALE DRAWING		SHEET 1OF 1
WEIGHT(GR): 0.509						



DIMENSIONS ARE IN mm TOLERANCES FRACTIONAL ± ANGULAR: MACH ± BEND ± ONE PLACE DECIMAL ± TWO PLACE DECIMAL ±		NAME	DATE	Richelieu Hardware		
	DRAWN					RICHELIEU /VENDOR ITEM NUMBER 89TY206300100
	CHECKED					
	ENG APPR.					
	MFG APPR.					
	Q.A.			SIZE	DWG.NO.	REV.
MATERIAL: steel	COMMENTS:		1-3	A	Nut	0
FINISH: zinc plated				DO NOT SCALE DRAWING		SHEET 1 OF 1
WEIGHT(GR): 2.2						



DIMENSIONS ARE IN mm TOLERANCES FRACTIONAL $\pm$ ANGULAR: MACH $\pm$ BEND $\pm$ ONE PLACE DECIMAL $\pm$ TWO PLACE DECIMAL $\pm$		NAME	DATE	<b>Richelieu Hardware</b>		
	DRAWN					RICHELIEU /VENDOR ITEM NUMBER 89TY206300100
	CHECKED					
	ENG APPR.					
	MFG APPR.					
	Q.A.			SIZE	DWG.NO.	REV.
MATERIAL: Steel	COMMENTS:		1-4	<b>A</b>	Screw	<b>0</b>
FINISH: zinc plated				DO NOT SCALE DRAWING		SHEET 1OF 1
WEIGHT(GR): 5.86						