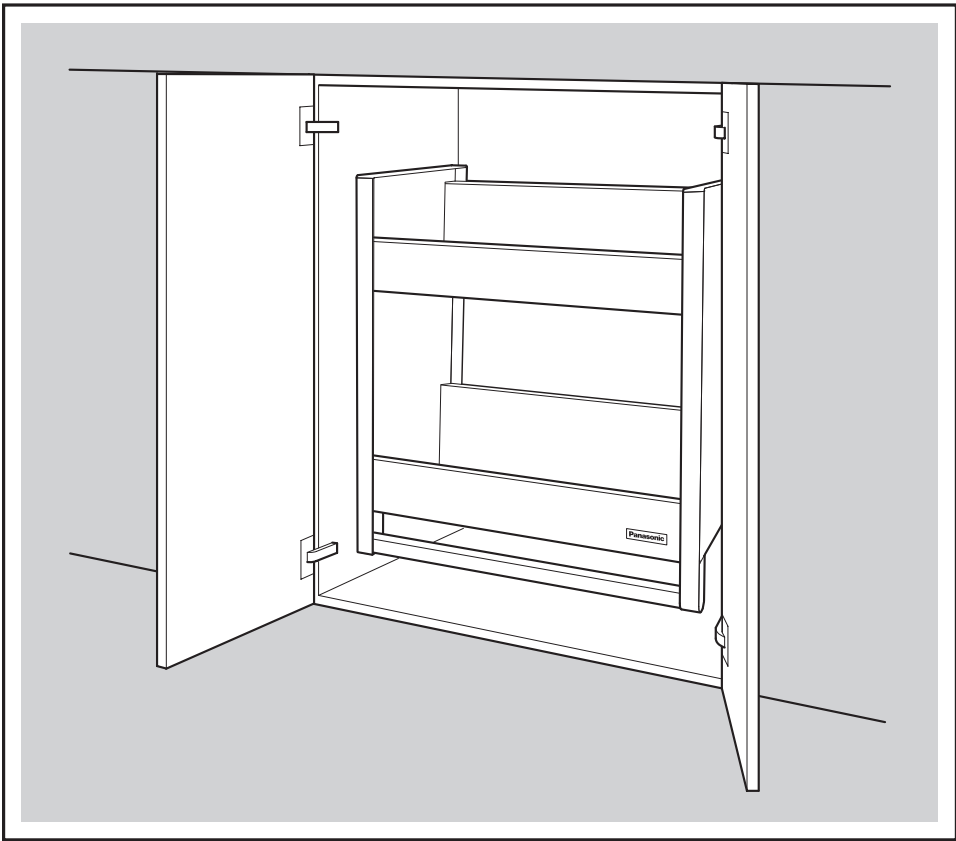


# Installation Manual

## Soft Down Cabinet System C-Type DVSJCX 0600(0900)-EA

---



**To Installer : Make sure to pass this integrated Precautions for Use to the customer after installation.**

# Safety Precautions






Be sure to observe the following precautions.





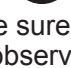

To reduce the risk of injury, loss of life, electric shock, fire, malfunction, and damage to equipment or property, always observe the following safety precautions.

## Explanation of symbols

■ The following symbols are used to classify and describe the level of hazard, injury, and property damage caused when the denotation is disregarded and improper use is performed.

■ The following symbols are used to classify and describe the type of instructions to be observed.

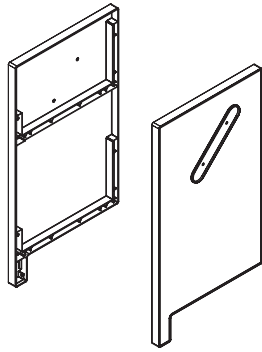
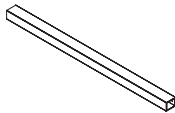
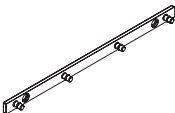


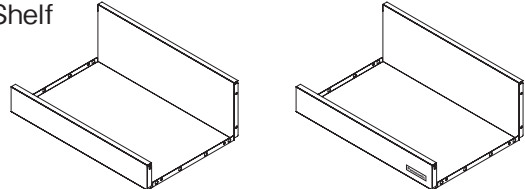
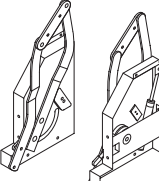
 <b>WARNING</b>	Denotes a potential hazard that could result in serious injury or death.		This symbol is used to alert users to a specific operating procedure that must not be performed.
 <b>CAUTION</b>	Denotes a hazard that could result in minor injury.		This symbol is used to alert users to a specific operating procedure that must be followed in order to operate the unit safely.
			Safety Precautions.

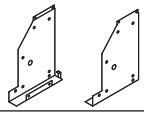
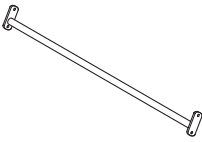



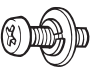

 <b>WARNING</b>			
	Disassembly is prohibited.		Be sure to use the combined structure parts (screw). Otherwise the unit might fall and result in injury.
	Be sure to observe.		When attaching with screws please use a hand-powered screwdriver, making sure to tighten properly. Do not over-tighten the screws. Otherwise the unit might fall and result in injury.
	Install properly according to the "Installation Instructions". Otherwise the unit might fall and result in injury.		Be sure to observe.
	Make sure to install the bars to the wall to ensure proper strength. Otherwise the unit might fall and result in injury.		

 <b>CAUTION</b>	
	Be careful not to touch the moving elements. Fingers might be pinched.

## Parts lists

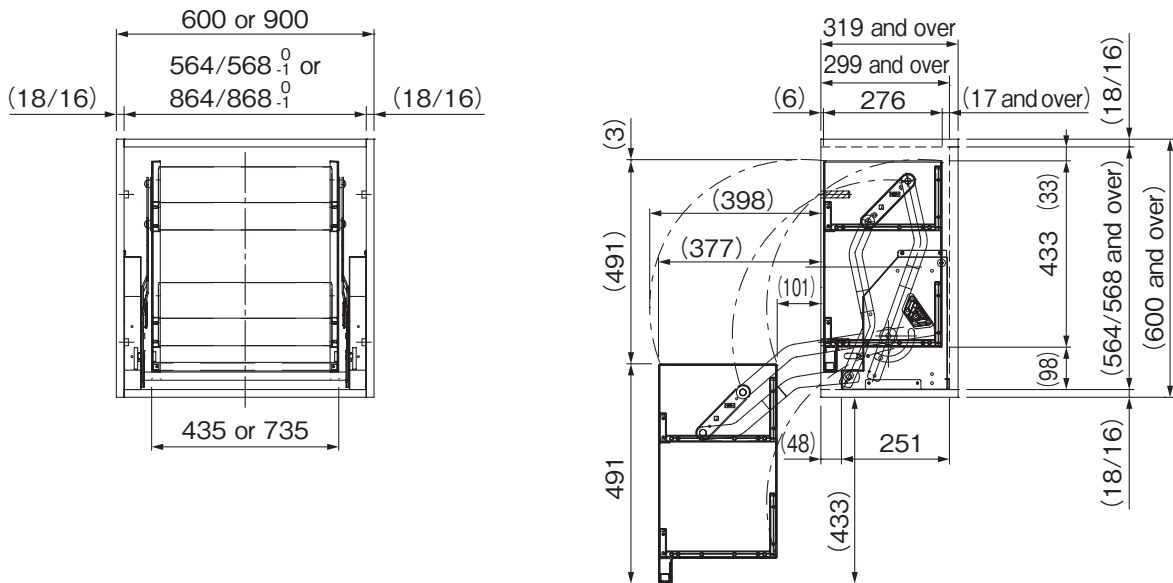
Unit : mm

Part	Quantity	Part	Quantity
Left Side panel Right Side panel 	1 each	Handle	 1
		Cover for screw	 4
		Pan head tapping screw φ 4 × 10	 20
		Truss head tapping screw φ 4 × 8	 2
Shelf No logo sign      With logo sign 	2	Lifting mechanism parts	 1 each

Part	Quantity	Part	Quantity
Base plate 	1 each	Connection bar 	1
Flat head tapping screw $\phi 4 \times 14$ 	10	Flat head machine screw M5 $\times$ 8 	4
Pan head machine screw M4 $\times$ 8 	8	Biding head machine screw M5 $\times$ 10 	4
t2 spacer 	2		

## Soft down Cabinet System dimensions

Unit : mm

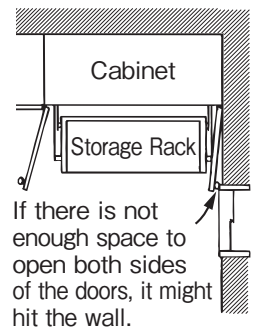
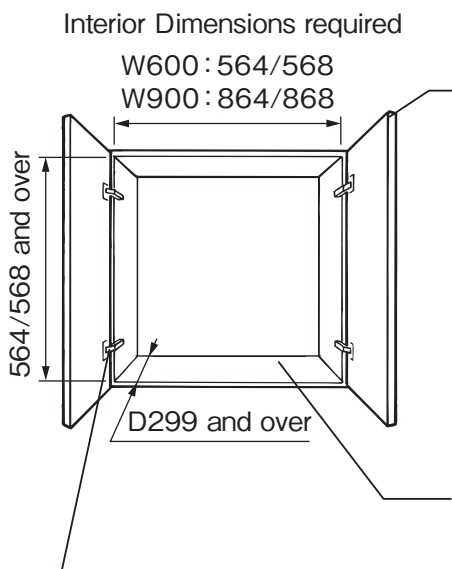


## Condition for Installation

Unit : mm

Check the following condition before installation.

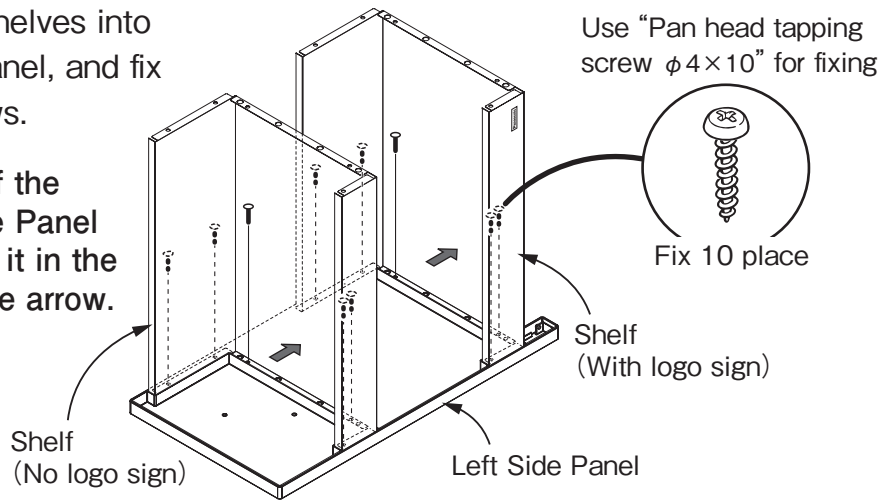
- Ensure the wall where installing the cabinet with the Soft Down Cabinet System has proper load bearing capacity.
- The appropriate dimension to install the Soft Down Cabinet System must be assured inside the cabinet.
- Both cabinet doors must be able to open fully outward.
- Ensure the sidewalls of the cabinet where you are attaching the base plates are solid material (not honeycomb or hollow) to ensure proper holding capacity strength. It must be at least 18mm thick and have a minimum bending strength of 13u.
- Ensure the cabinet where you are installing the Soft Down Wall Unit is level and plumb.
- No other materials are to be installed inside the cabinet as they will interfere with the mechanical part of the Soft Down Cabinet System.
- The hinge base plate should stay clear from other impact.



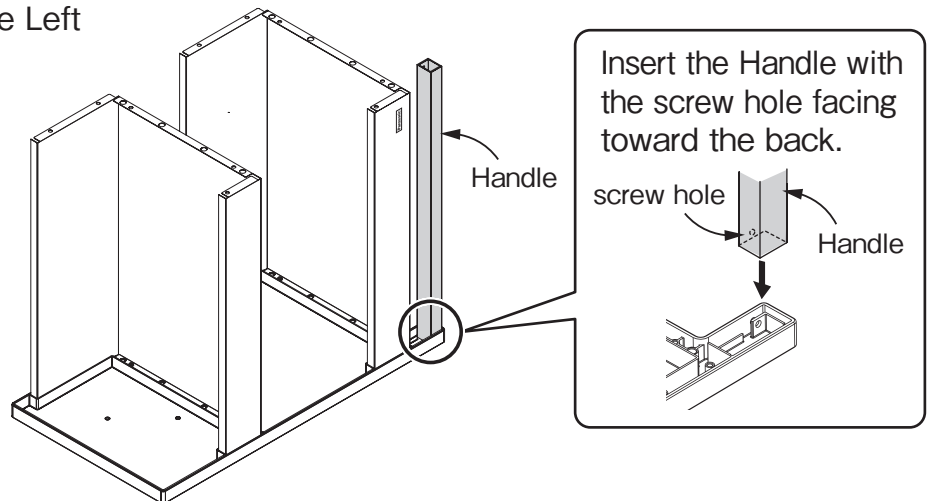
## Assembling the Storage Rack

- 1.** Insert the two Shelves into the Left Side Panel, and fix them with screws.

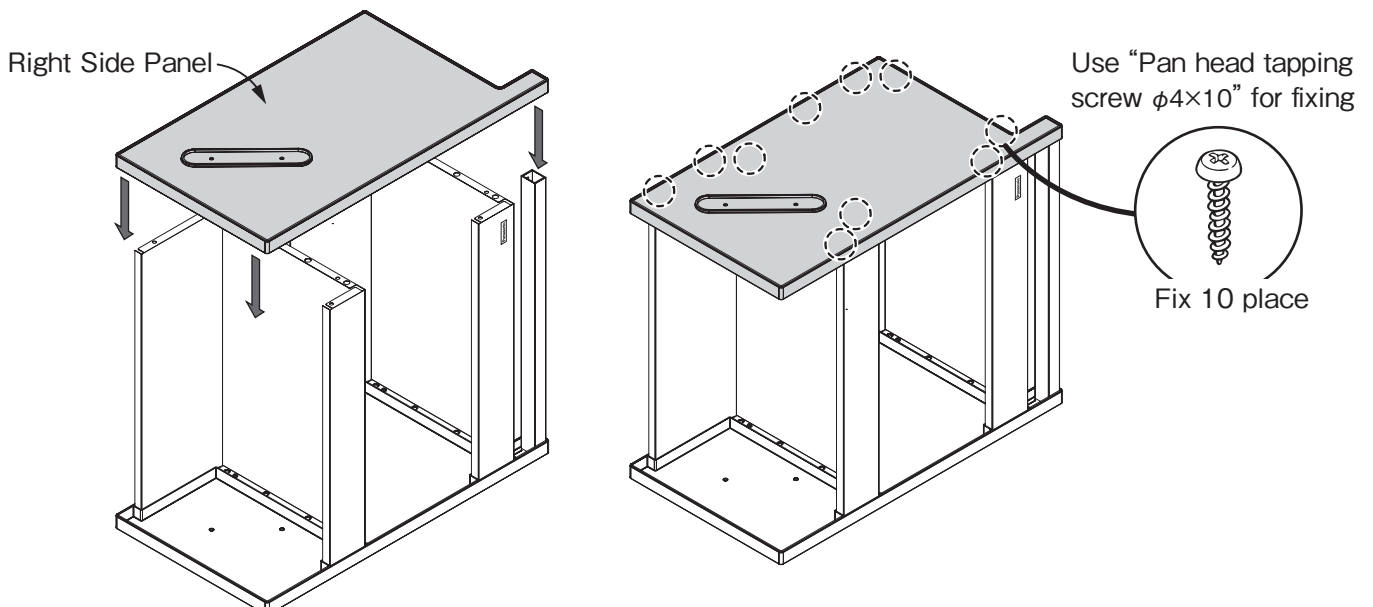
- Screw each of the Shelves to the Panel while pushing it in the direction of the arrow.



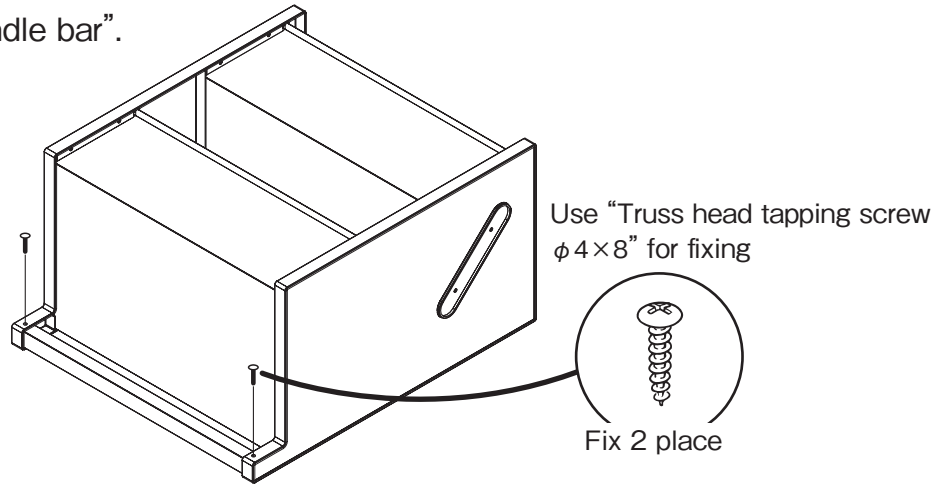
- 2.** Insert the Handle into the Left Side Panel.



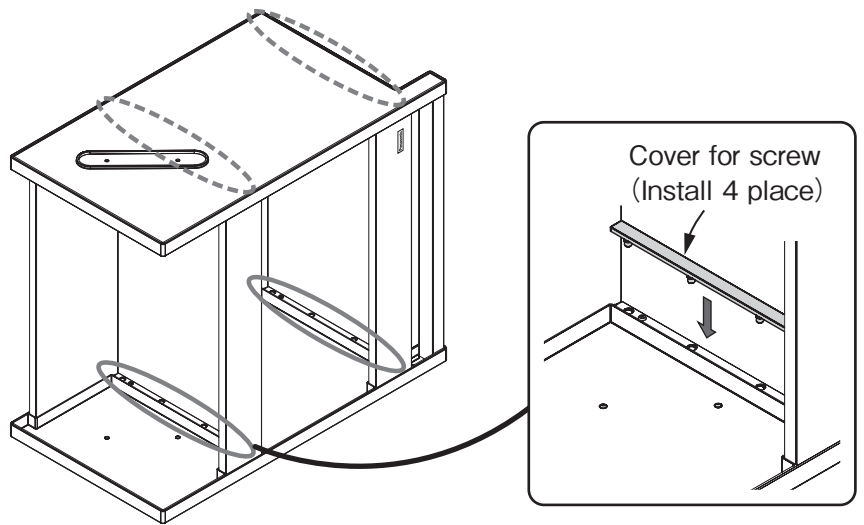
- 3.** Fix "Right Side Panel" to "Shelf".



**4.** Fix "Side Panel" to "Handle bar".



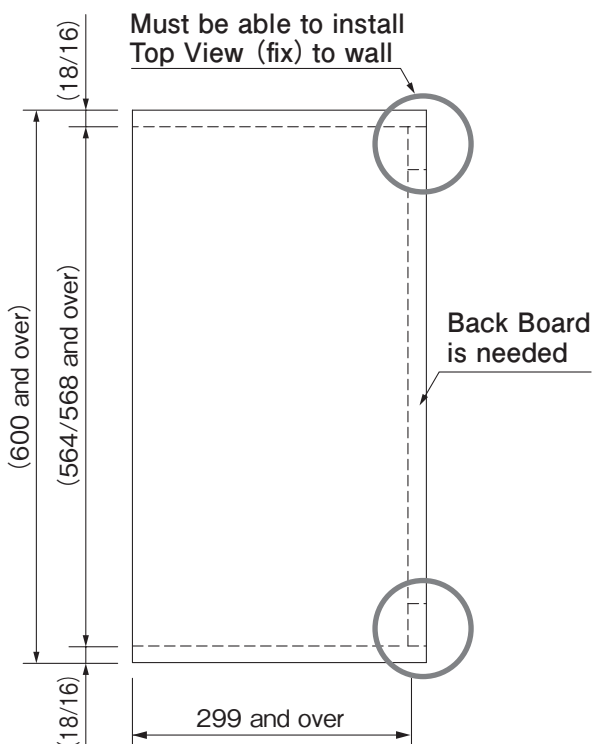
**5.** Install "Cover for screw".



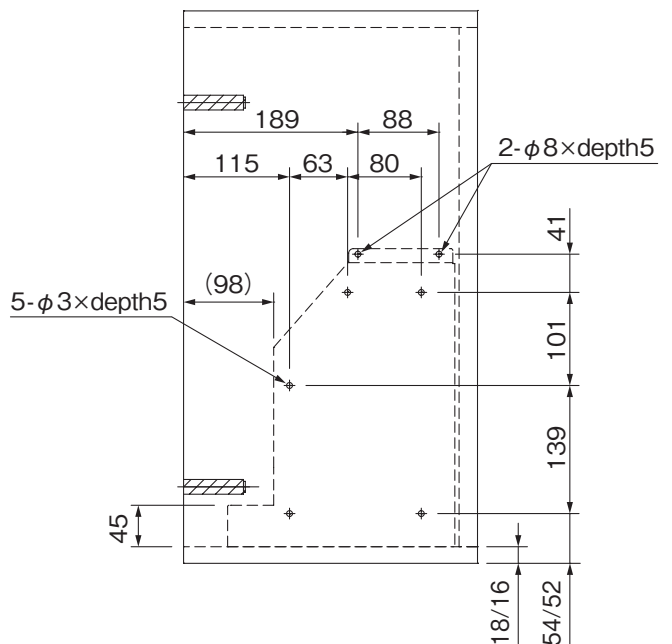
## Preparation of Cabinet

■ The appropriate dimension of the cabinet to install the Soft Down Cabinet System.

■ Position of the predrilled hole on the side board of the cabinet



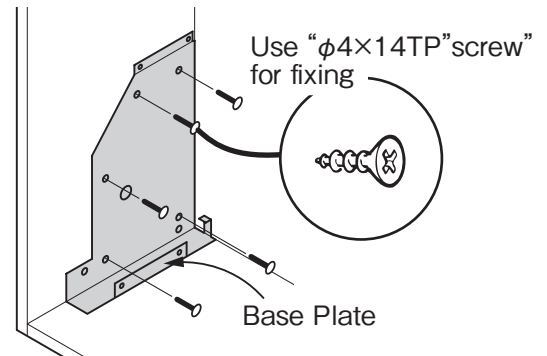
View from the left side of cabinet.



# Storage Rack Installation

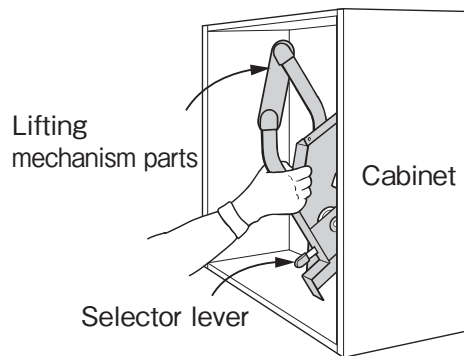
## 1 Installation of Base Plate

1. Match the predrilled hole on the side board of the cabinet and the Base Plate.
2. Fix with the screw. (5points each side)




## 2 Installation of Lifting mechanism parts

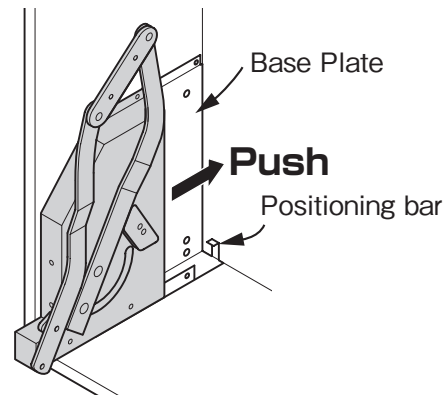
1. Put the Lifting mechanism parts into the cabinet.  
Ensure the Selector lever on the lifting mechanism is set to "Loaded".



### CAUTION

 When operating, do not touch any other parts except for the handle.  
Be sure to observe. Fingers might get pinched.

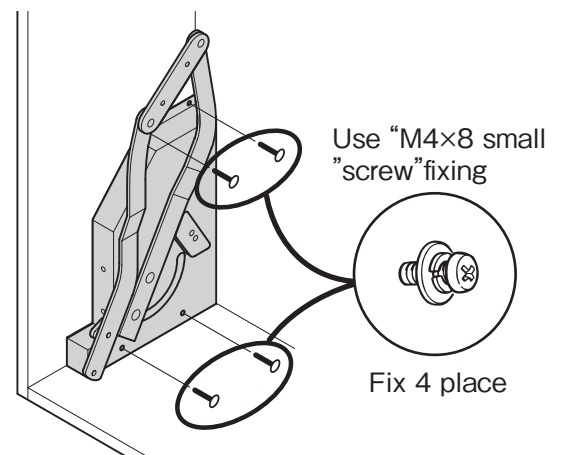
2. Slide the lifting mechanism along the base plate until it reaches the positioning bar.



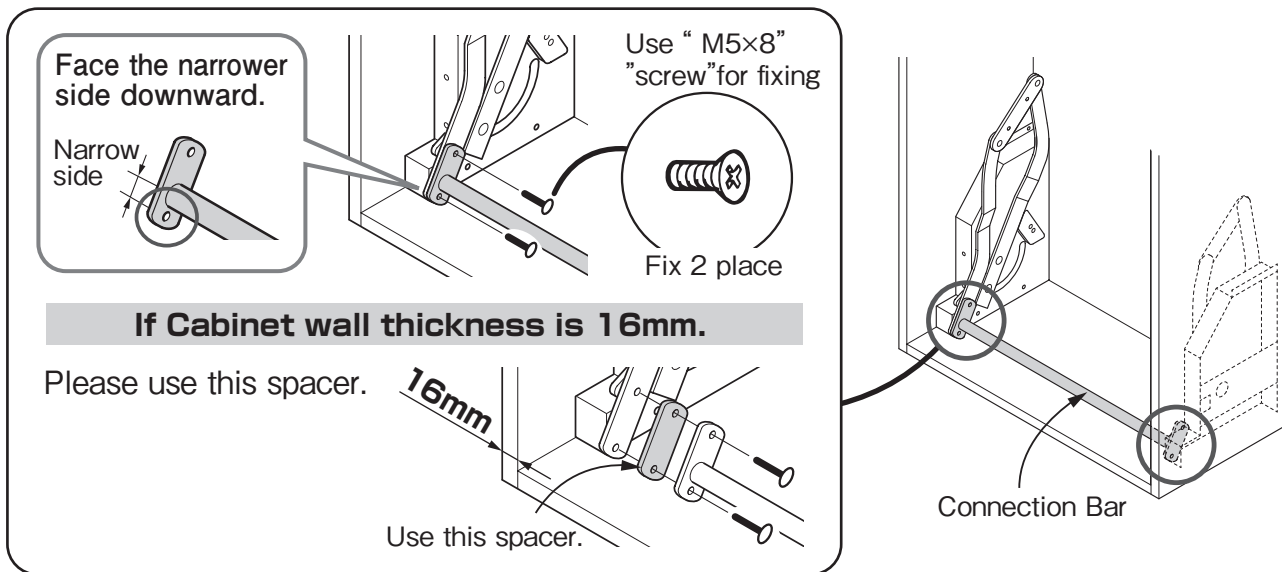
3. Fix the Lifting mechanism parts to Base Plate. (4 points each side)

Make sure to fix both side at once.

- Ensure you do not over-tighten or under-tighten the screws. Failure to properly tighten may result in the unit falling.
- Do not use an Impact driver.



#### 4. Install "Connection Bar" to both side of the structure parts.



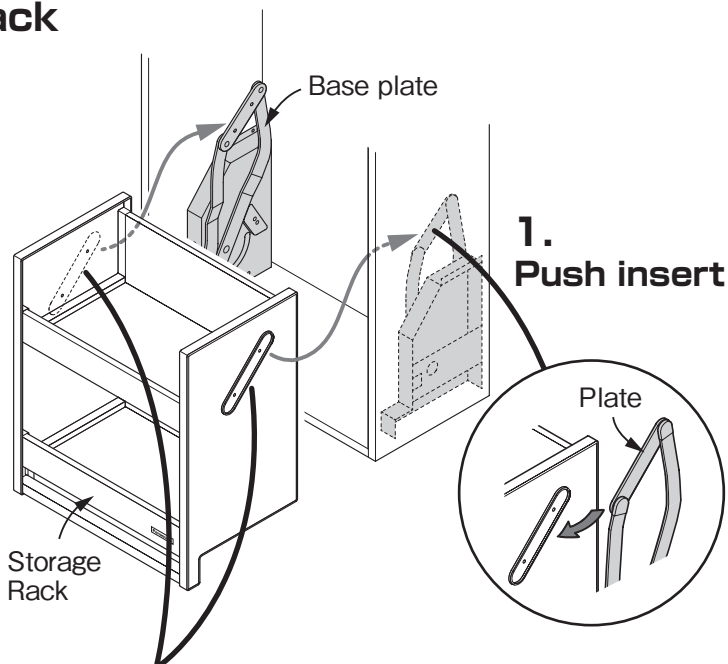
### 3 Installation of Storage Rack

1. Position the lifting base plate onto the storage case as shown.

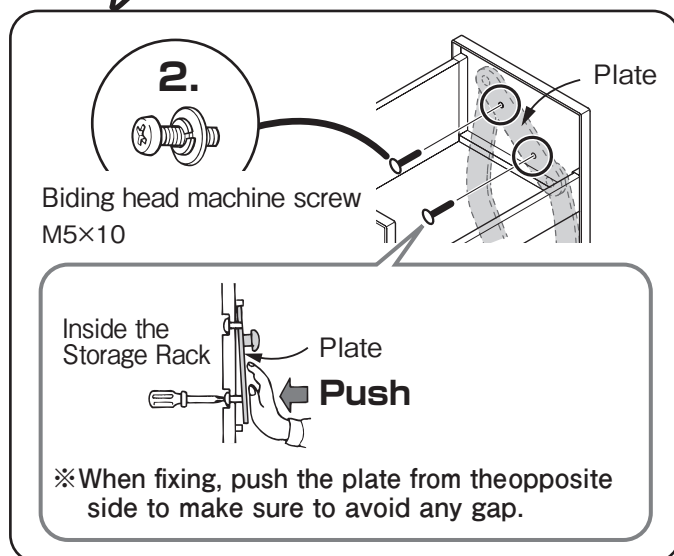
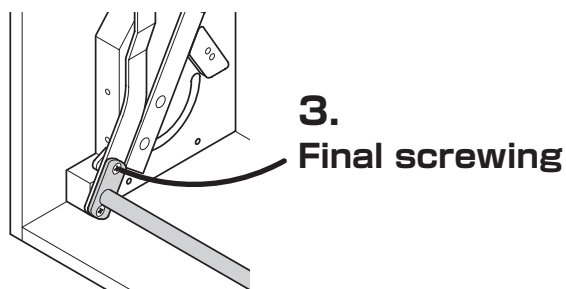
2. After the Storage Rack is properly positioned, insert and tighten screws as shown

**CAUTION**

When operating, do not touch any other parts except for the handle.  
Fingers might get pinched.



3. Fix the "Handle Bar" properly on each side.



# Confirm after installation

## Final Check

Item	Check
① Do the cabinet doors close properly?	
② Do the cabinet doors stop at the opening position?	
③ Ensure the Storage Rack does not hit the back panel.	
④ Ensure the Storage Rack is fixed horizontally.	
⑤ Are the screws too tight or too loose?	
⑥ Are the lifting mechanism parts properly affixed ?	
⑦ Is the cabinet fixed properly to the wall?	

If ①~④ are not cleared, the wall might not be flat.

Please check the wall and make sure it is flat horizontally and vertically.

## Check the up and down movement

When operating, do not touch any other parts except for the handle.

With no items loaded, the spring may make the operation of the unit feel heavy.

To operate with no items loaded please set the lever to "light".

Please ensure to pass on the Operating Instruction manual to the customer.