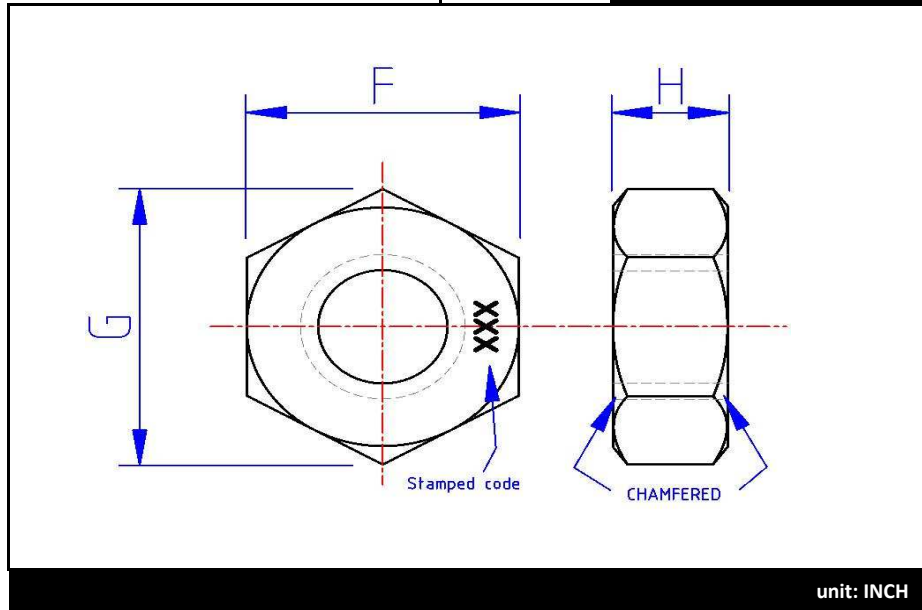




Brand	Root
	FHNCHDG...



Diam. of Thread		F	G	H	THREAD
		ACROSS FLAT	ACROSS CORNERS	THICKNESS	PER INCH
1/4	Min	0.428	0.488	0.212	20
	Max	0.438	0.505	0.226	
5/16	Min	0.489	0.557	0.258	18
	Max	0.500	0.577	0.273	
3/8	Min	0.551	0.628	0.320	16
	Max	0.563	0.650	0.337	
1/2	Min	0.736	0.840	0.427	13
	Max	0.750	0.866	0.448	
5/8	Min	0.922	1.051	0.535	11
	Max	0.938	1.083	0.559	
3/4	Min	1.088	1.240	0.617	10
	Max	1.125	1.299	0.665	

Hex Nut, Coarse Thread, Hot-Dip Galvanised
shall be made of low carbon steel **ASTM A563, Grade A**

Root = Finished Hex Nut Coarse Hot-Dip Galvanised

Bulk Label Description:

English: FINISHED HEX NUT, GR-2, HOT-DIP GALVANISED

French: ÉCROU HEXAGONAL, GR-2, GALVANISÉ À CHAUD

Spanish: TUERCA HEXAGONAL, GRADO 2, ZINC GALVANIZADO EN CALIENTE

Date : 17 janvier 2019

Done by : P.B.