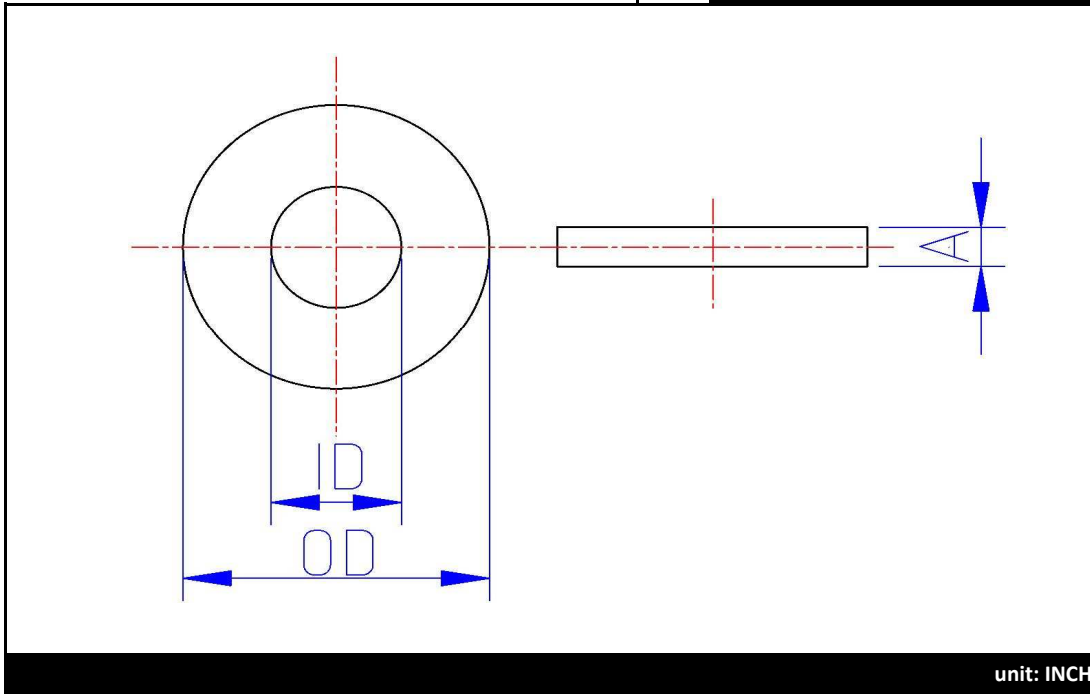




Brand	Root
	PWHDG...



unit: INCH

BOLT SIZE	ID		OD		A		
	Basic	INSIDE DIAM.	Basic	OUTSIDE DIAM.	THICKNESS		
1/4	5/16	Min	0.307	3/4	Min	0.727	0.051
		Max	0.327		Max	0.749	0.080
5/16	3/8	Min	0.370	7/8	Min	0.868	0.064
		Max	0.390		Max	0.905	0.104
3/8	7/16	Min	0.433	1	Min	0.993	0.064
		Max	0.453		Max	1.030	0.104
1/2	9/16	Min	0.557	1-3/8	Min	1.368	0.086
		Max	0.577		Max	1.405	0.132
5/8	11/16	Min	0.681	1-3/4	Min	1.742	0.108
		Max	0.718		Max	1.780	0.160
3/4	13/16	Min	0.805	2	Min	1.993	0.122
		Max	0.842		Max	2.030	0.177

PLATE WASHER, HOT-DIP GALVANISED
 Washer follow the IFI Type A-Wide

Root = Plate Washer Hot-Dip Galvanised

Bulk Label Description:

- English: FLAT WASHER, HOT-DIP GALVANIZED
- French: RONDELLE PLATE, GALVANISÉ À CHAUD
- Spanish: ARANDELA PLANA, GALVANIZADO EN CALIENTE

Date: 17 janvier 2019

Fait par: P.B