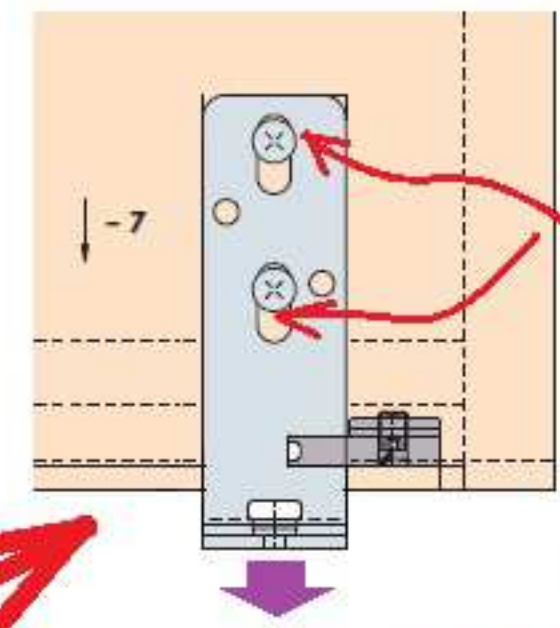
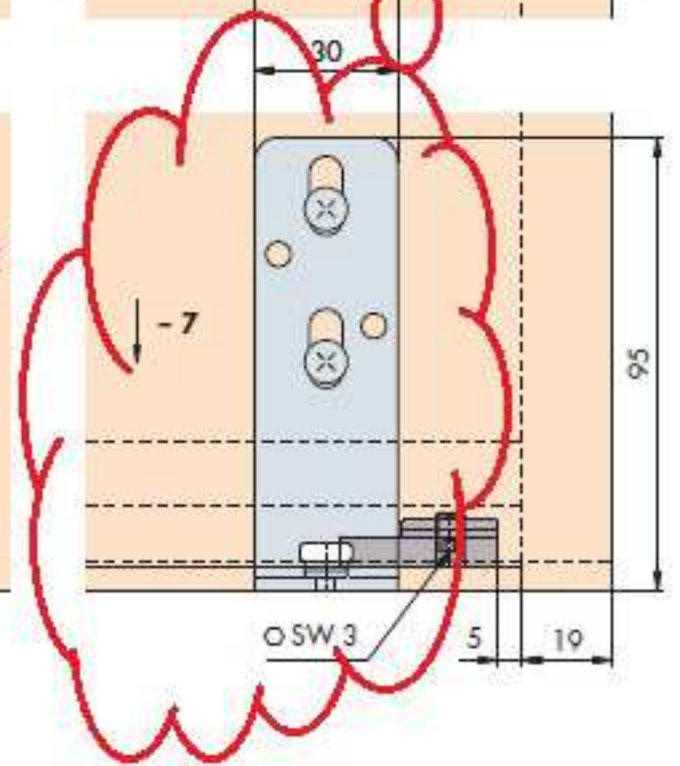
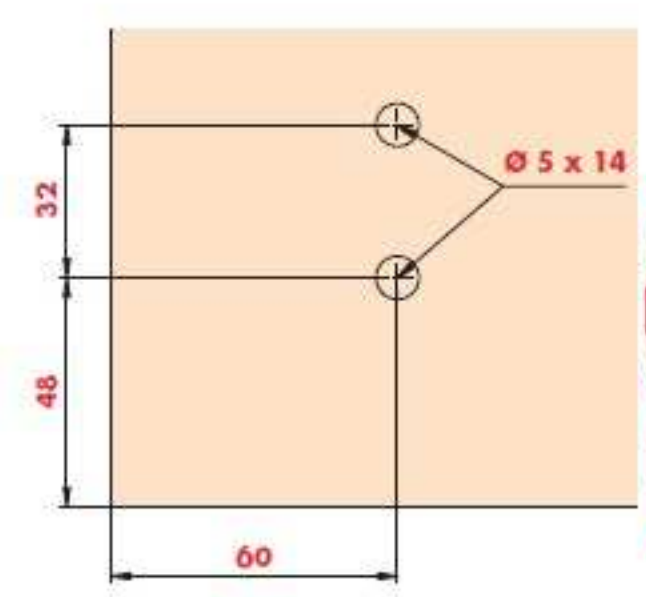
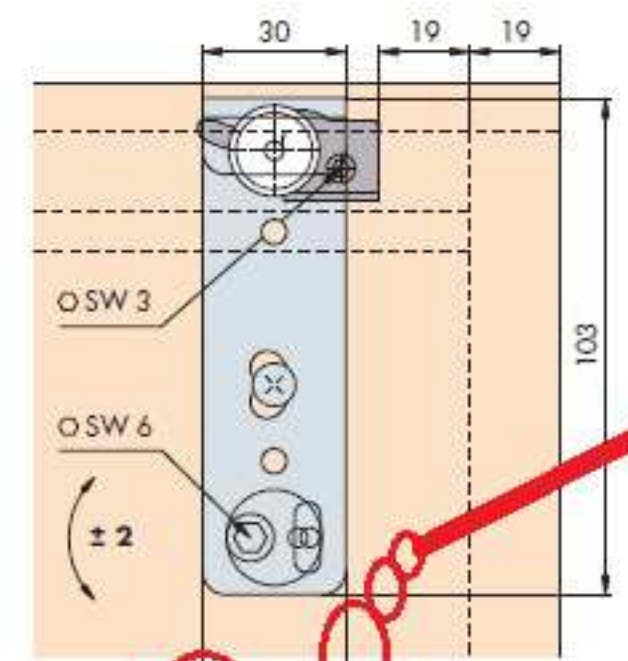
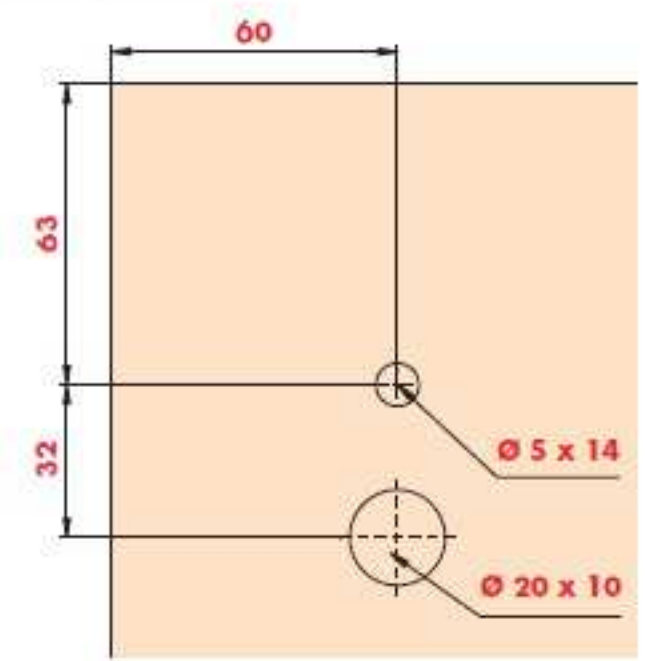
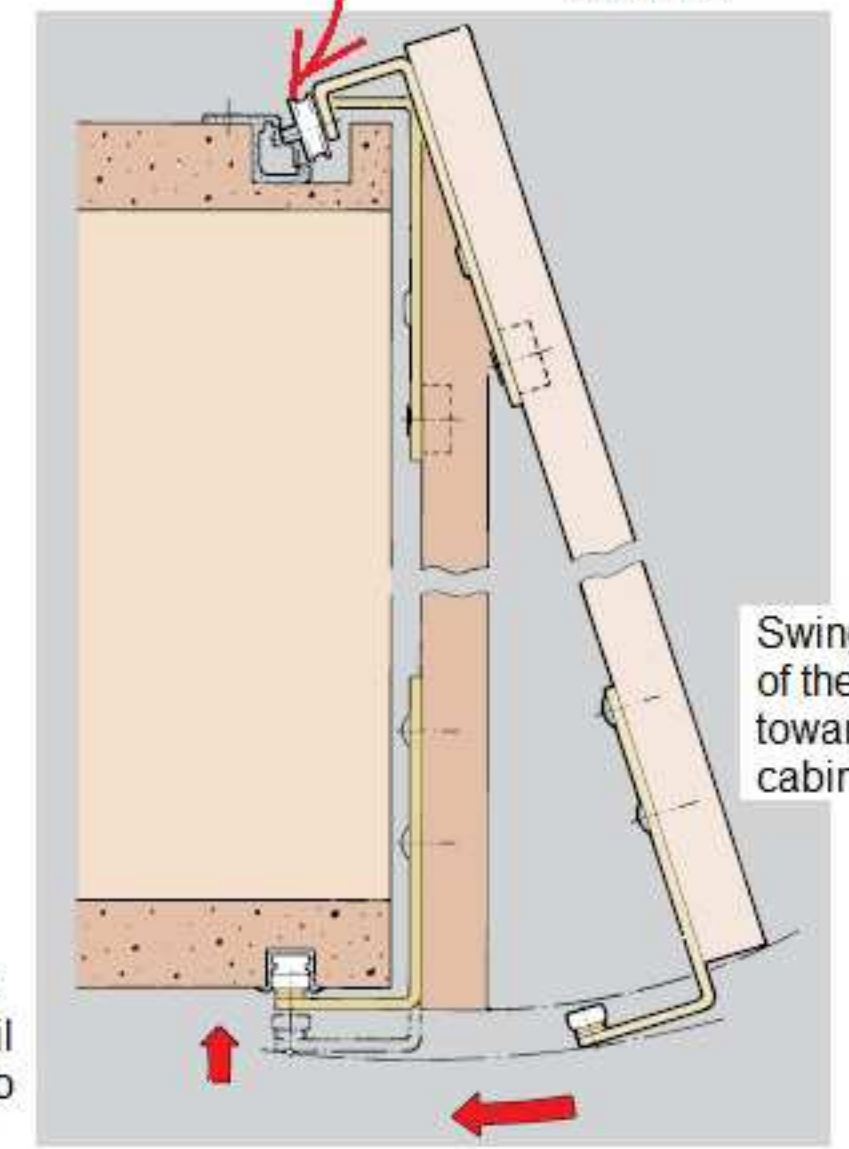


leave space above to mount the door



Losen screws shift bracket down

Tilt door
Insert top trolleys/wheels extended axel first into the track



Lift bracket upwards into bottom guide rail and tighten screws to secure bracket