



500S2S001RXX Sit2Stand Workstation

Convert an existing desk or table into a high-quality and affordable sit to stand workstation and effortlessly go from sitting to standing in seconds. Transform your existing workspace to a healthful environment and immediately benefit from motion and mobility in the work place.



Effortlessly transition from sitting to standing in seconds

Sit2Stand Features

- 18" (45.7 cm) of vertical height adjustment to accommodate the majority of individuals heights.
- Small footprint that can slide effortlessly out of the way to free up desk space.
- 27.5" (69.9 cm) keyboard tray allows space for full size keyboard and mouse.
- Slide in / slide out work surface for additional workspace and storage.
- Convenient rear cable management clips in column and crossbar keep cables organized and out of view.
- Single action quick release adjustment from sitting to standing.
- Locking actuator maintains the unit firmly in position at any height.
- Telescoping upright column promotes a low profile unit in the seated position.
- Durable anodized and powder coated aluminum and steel surfaces (over 95% of components are recyclable).



Slide in / slide out work surface for note-taking, additional storage and desktop organization.

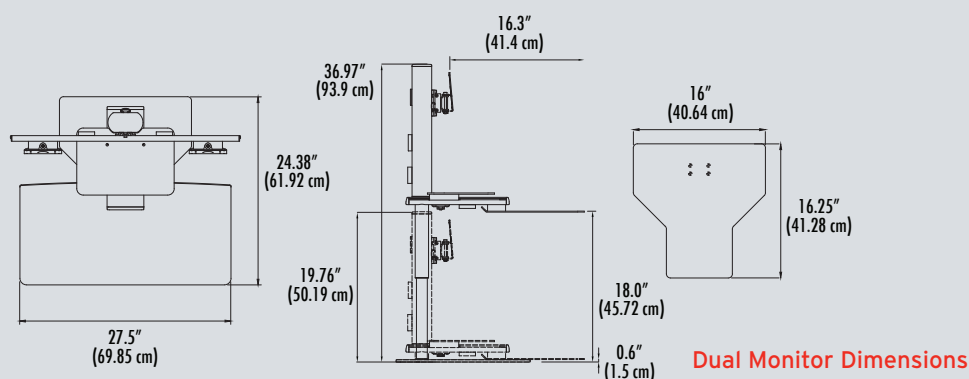
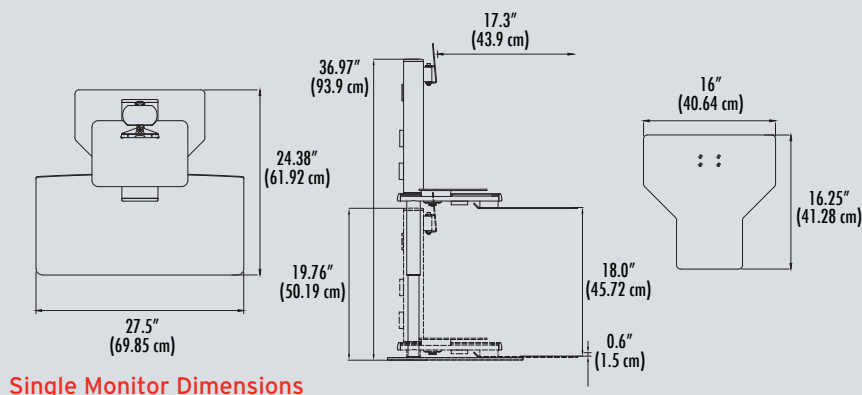
Easy to slide on the desktop, allowing effortless transition between workstation & conventional desk.



Sit2Stand Workstation



Built in cable management



Model	Finish	Monitor Capacity	Monitor Width	Vertical Height Adj.	Mounting
500S2S001R90	Black/Black	Single, 3.5lbs to 11lbs (1.6kg to 5kg)	-	-	VESA
500S2S001R30	Silver/White			18"	75mm & 100mm
500S2S002R90	Black/Black	Dual, 6.5lbs to 21lbs (3kg to 9.5kg) total	24" Monitor 23.5" actual		
500S2S002R30	Silver/White				



☎ 1-866-440-0448

ergoinfo@richelieu.com

www.richelieuergo.com