

95° Opening

16 mm Overlay

Overlay 12 - 16 mm  
(When Bore Distance is 8 mm)

Cup Dia  $\Phi$  40 Bore Depth 15 mm  
Door Thickness 18 - 30 mm

Mounting Plate  
J95-P6T (P.368)



## CONCEALED HINGE

J95

Item Code	Item Name	Type	Material	Finish	Weight	Carton
160-033-658	J95-24/16T	w/o Catch	Body/Steel, Cup/Zinc	Nickel	131 g	50 pcs
160-033-657	J95-C24/16T	w/ Catch		Nickel	143 g	50 pcs
160-034-920	J95-24/16T BN	w/o Catch	Alloy (ZDC)	Black	143 g	50 pcs
160-034-917	J95-C24/16T BN	w/ Catch		Nickel	155 g	50 pcs

### Features

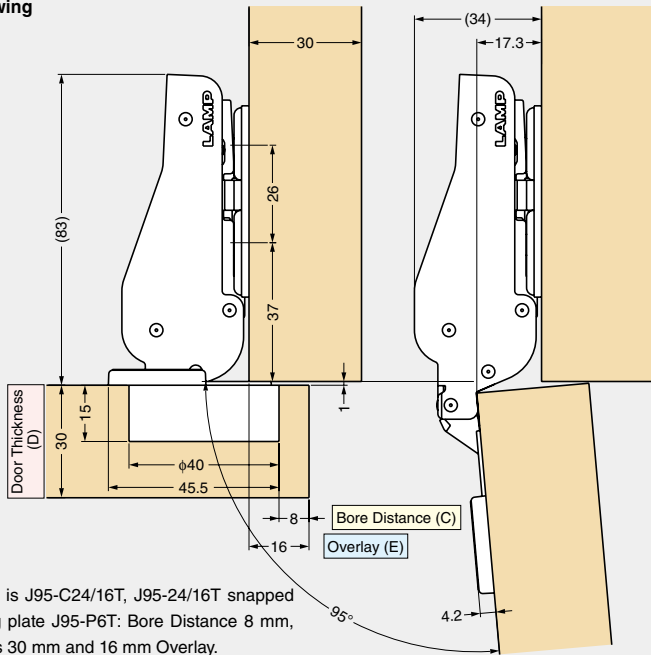
- 3-way-adjustment function by mounting plate (depth + 1.5, - 2.5 mm, vertical  $\pm$  3 mm, overlay [horizontal] + 0, - 4 mm).
- Snap on mount.

### Sold Separately

- Mounting plate (P.368)
- Face plate for glass door (P.373)
- Safety cover (P.373)
- Cover for mounting plate (P.373)

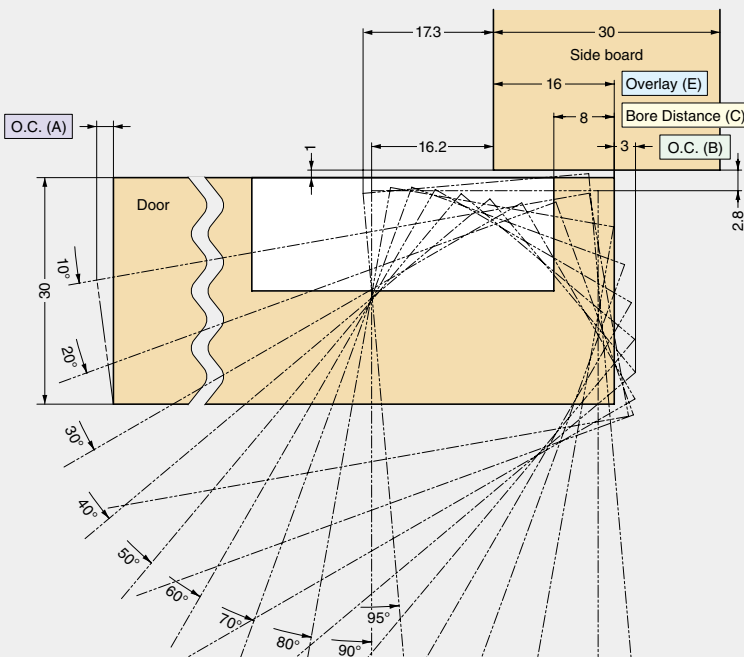
Picture above is the combination of concealed hinge and mounting plate.

### • Outline drawing



Drawing above is J95-C24/16T, J95-24/16T snapped on to mounting plate J95-P6T: Bore Distance 8 mm, Door Thickness 30 mm and 16 mm Overlay.

### • Locus chart



Drawing above is Bore Distance 8 mm, Door Thickness 30 mm, Side Board Thickness 30 mm and 16 mm Overlay.

### Bore Distance (C)

Bore Distance (C)	3	4	5	6	7	8
Overlay (E)	11	12	13	14	15	16

Overlay adjustment (Max. -4 mm) by turning the overlay adjustment screw.

### Opening Clearance (O.C.)

Clearances for door edge O.C. (A) and hinge side O.C. (B) are necessary. O.C. (A) and (B) change depending on door thickness and bore distance (C). Refer to locus chart and tables below when designing cabinets.

### O.C. (B)

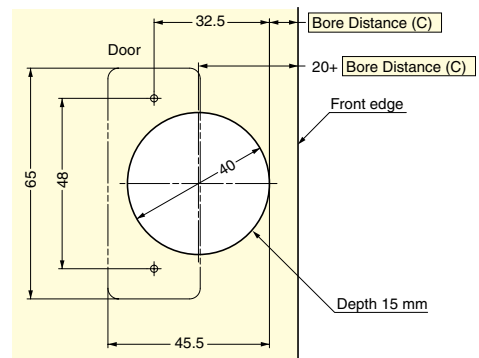
Door Thickness (D)	Bore Distance (C)					
	3	4	5	6	7	8
18	0.3	0.3	0.3	0.3	0.3	0.3
20	0.5	0.5	0.5	0.5	0.5	0.5
22	0.8	0.8	0.8	0.7	0.7	0.7
24	1.1	1.1	1.1	1.1	1.1	1.0
26	1.7	1.6	1.6	1.5	1.5	1.5
28	3.2	2.8	2.5	2.2	2.1	2.0
30	5.0	4.5	4.0	3.6	3.3	3.0
32	6.8	6.2	5.7	5.2	4.8	4.4
34	8.6	8.0	7.5	6.9	6.5	6.0
O.C. (B)						

Please refer to the locus chart if door thickness is over 30 mm.

### O.C. (A)

Door Thickness (D)	Door Width						
	300	400	500	600	700	800	900
20	0.50	0.30	0.30	0.20	0.20	0.20	0.20
O.C. (A)							

### Cut Out Dimensions



### • Recommended screw

Size 5 raised countersunk head tapping screw or wood screw.

### Door Dimensions and Number of Hinges

Please refer to P.368.

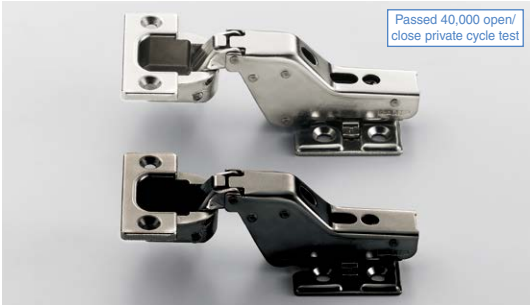
93° Opening

Inset

Overlay -4 - 0 mm  
(When Bore Edge Distance is 8 mm)

Cup Dia  $\Phi$  40 Bore Depth 15 mm  
Door Thickness 18 - 30 mm

Mounting Plate  
J95-P6T (P.368)



Picture above is the combination of concealed hinge and mounting plate.

## CONCEALED HINGE

J95

Item Code	Item Name	Type	Material	Finish	Weight	Carton	
160-033-660	J95-24/0T	w/o Catch	Body/Steel, Cup/Zinc Alloy (ZDC)	Nickel	148 g	50 pcs	
160-033-659	J95-C24/0T	w/ Catch			160 g	50 pcs	
160-034-921	J95-24/0T BN	w/o Catch			Black	148 g	50 pcs
160-034-918	J95-C24/0T BN	w/ Catch			Nickel	160 g	50 pcs

### Features

- 3-way-adjustment function by mounting plate (depth + 1.5, - 2.5 mm, vertical  $\pm$  3 mm, overlay [horizontal] + 0, - 4 mm).
- Snap on mount.

### Sold Separately

- Mounting Plate (P.368)
- Face plate for glass door (P.373)
- Safety cover (P.373)
- Cover for mounting plate (P.373)

### Bore Distance (C)

Bore Distance (C)	3	4	5	6	7	8
Door Gap (b)	6	5	4	3	2	1

Overlay adjustment (Max. -4 mm) by turning the overlay adjustment screw.

### Opening Clearance (O.C.)

Clearances for door edge O.C. (A) and hinge side O.C. (B) are necessary. O.C. (A) and (B) change depending on door thickness and bore distance (C). Refer to locus chart and tables below when designing cabinets.

### O.C. (B)

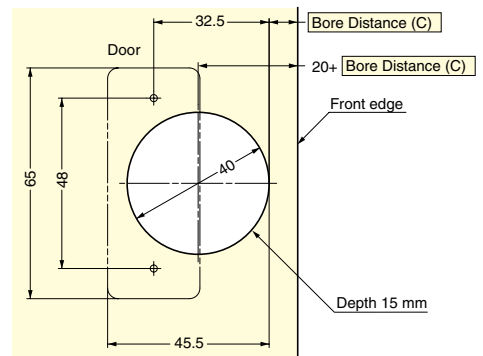
Door Thickness (D)	Bore Distance (C)					
	3	4	5	6	7	8
18	0	0	0	0	0	0
20	0	0	0	0	0	0
22	0.1	0.1	0.1	0.1	0	0.1
24	0.1	0.1	0.1	0.1	0.1	0.1
26	0.3	0.3	0.3	0.3	0.3	0.3
28	1.7	1.1	0.6	0.5	0.5	0.5
30	3.5	2.9	2.3	1.8	1.0	0.9
32	5.4	4.7	4.1	3.6	3.0	2.5
34	7.3	6.6	6.0	5.4	4.8	4.3
O.C. (B)						

Please refer to the locus chart if door thickness is over 30 mm.

### O.C. (A)

Door Thickness (D)	Door Width						
	300	400	500	600	700	800	900
20	0.90	0.60	0.50	0.40	0.40	0.30	0.30
O.C. (A)							

### Cut Out Dimensions

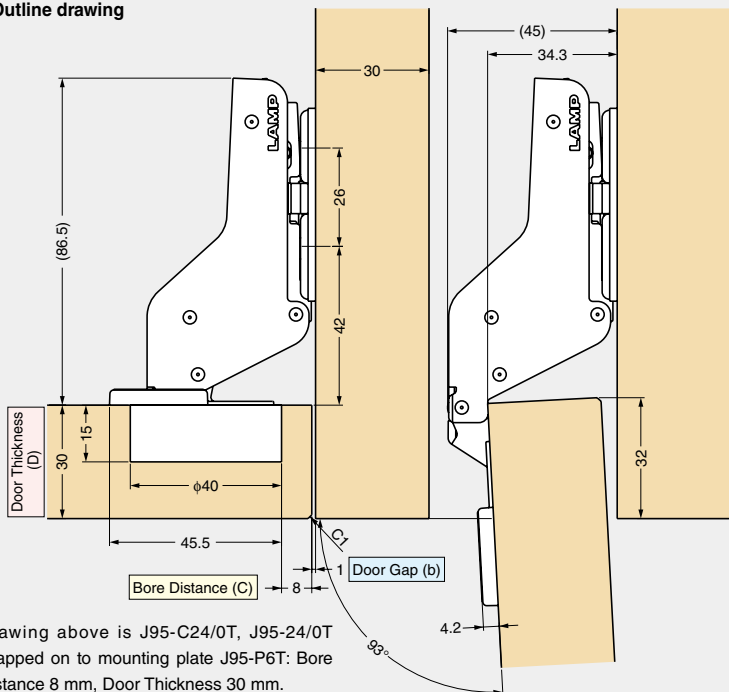


- Recommended screw  
Size 5 raised countersunk head tapping screw or wood screw.

### Door Dimensions and Number of Hinges

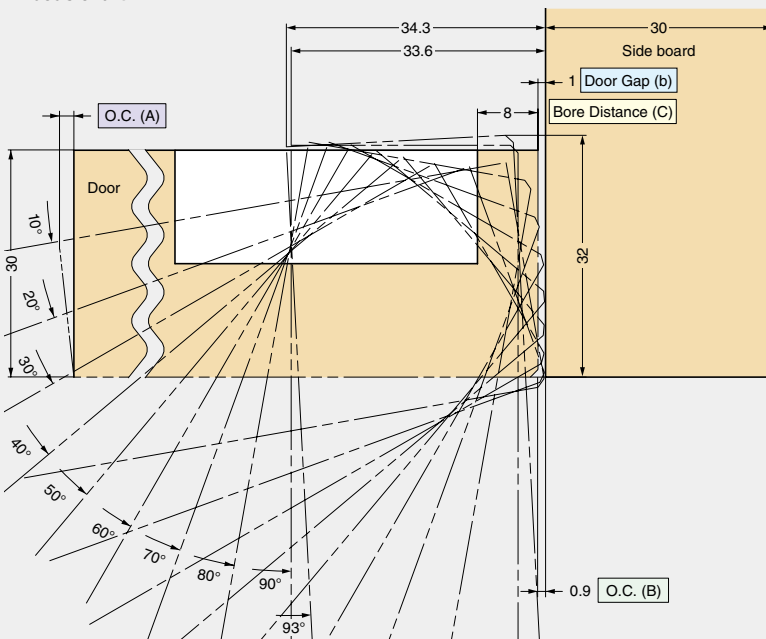
Please refer to P.368.

### Outline drawing



Drawing above is J95-C24/0T, J95-24/0T snapped on to mounting plate J95-P6T: Bore Distance 8 mm, Door Thickness 30 mm.

### Locus chart



Drawing above is J95-C24/0T Bore Distance 8 mm, Door Thickness 30 mm, Side Board Thickness 30 mm.