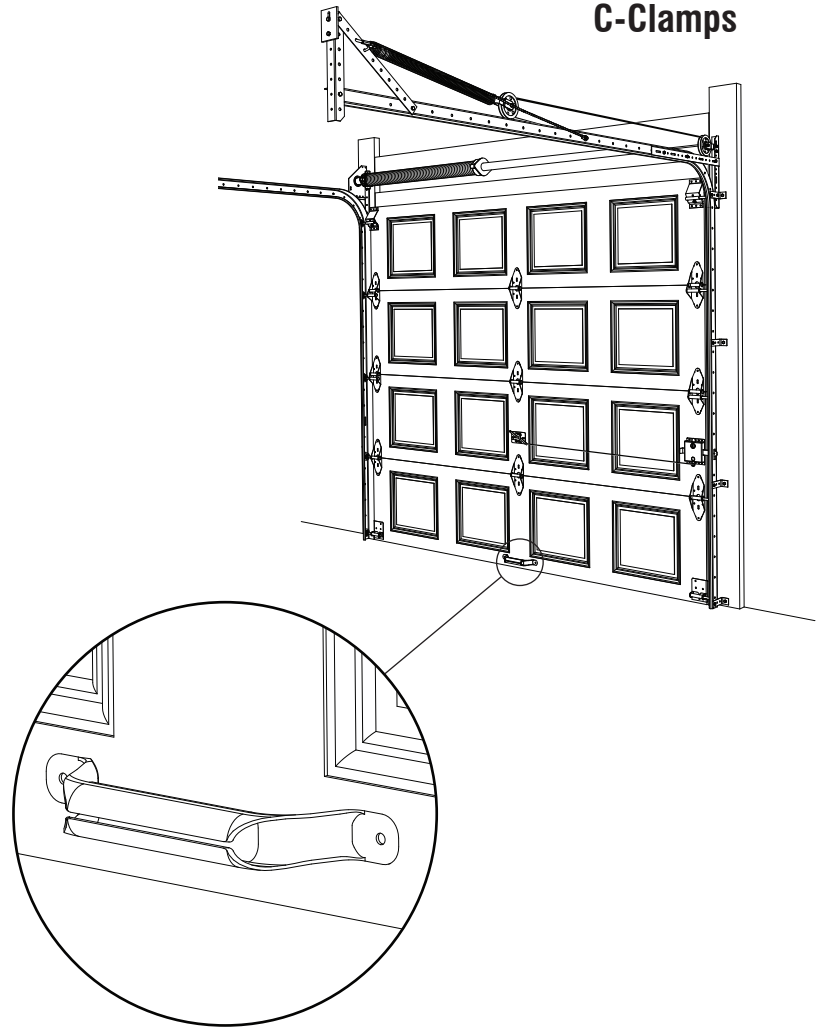


Installation Instructions

1. Unplug the power door opener and disconnect it from the door.
2. Close garage door completely.
3. Fasten "C" Clamps on both the left and right door tracks against the top side of two rollers to keep the door closed.
4. Place handle on the outside of the door in the desired position. Mark hole locations.
5. Drill through door with 5/16" drill bit.
6. Install the outside door handle with bolts and place inside door handle on the bolts. Fasten with hex nuts.

Tools Required:

Wrench
Drill
C-Clamps



Warning: Improper installation or door position can result in serious injury or death.

- Be sure to read and fully understand all instructions before starting any work.
- Wear eye protection.
- Disconnect power door opener from door before any other step.
- Do not remove more than one part at a time.
- Do not raise or lower without all components installed and tightly secured.
- This hardware is only intended for residential garage doors.
- All hardware, especially extension and torsion springs, is under extreme tension at all times.
- All tension must be released from springs before performing any work.
- If you are unsure if the replacement part matches the part to be replaced or if you do not understand the installation instructions, contact a professional installer.